

EN

Original Instructions
Version 1

DRAPER[®]

10.8V & 12V

SOLDERING IRON

03860, 03861



**UK
CA** **CE**

1. Preface

These are the original product instructions. This document is part of the product; retain it for the life of the product, passing it on to subsequent holders. Read this manual in full before attempting to assemble, operate, or maintain this product.

This Draper Tools manual describes the purpose of the product and contains all the necessary information to ensure its correct and safe use. Following all the instructions and guidance in this manual will ensure the safety of both the product and the operator and increase the lifespan of the product.

All photographs and drawings within this manual are supplied by Draper Tools to help illustrate correct operation of the product.

Every effort has been made to ensure the information contained in this manual is accurate. However, Draper Tools reserves the right to amend this document without prior warning. Always use the latest version of the product manual.

1.1 Product Reference

User Manual for: 10.8V Soldering Iron (Bare)/12V Soldering Iron (Bare)

Stock No: 03860, 03861

Part No: SI10.8V, SI12V

1.2 Revisions

Version 1: April 2022
First release

As our manuals are continually updated, always ensure that the latest version is used.

Download the latest version from:
drapertools.com/manuals

1.3 Understanding the Safety Content

WARNING! – Situations or actions that may result in personal injury or death.

CAUTION! – Situations or actions that may result in damage to the product or surroundings.

Important: – Information or instructions of particular importance.

1.4 Copyright © Notice

Copyright © Draper Tools Limited.

Permission is granted to reproduce this manual for personal and educational use **ONLY**. Commercial copying, redistribution, hiring, or lending is strictly prohibited.

No part of this manual may be stored in a retrieval system or transmitted in any other form or means without written permission from Draper Tools Limited.

In all cases, this copyright notice must remain intact.

1. Preface	2
1.1 Product Reference	2
1.2 Revisions	2
1.3 Understanding the Safety Content	2
1.4 Copyright © Notice	2
2. Contents	3
3. Warranty	4
4. Product Introduction	5
4.1 Scope	5
4.2 Specification	5
5. Health and Safety Information	6
5.1 General Health and Safety Precautions for this Soldering Iron	6
5.2 General Safety Information for Batteries and Battery Packs	6
6. Identification and Unpacking	7
6.1 Product Overview	7
6.2 Packaging	7
7. Operating Instructions	8
7.1 Installing and Removing the Battery Pack (not supplied)	8
7.2 Rotating the Head	8
7.3 The LED Lamp	8
7.4 The Temperature Indicator	9
7.5 The Battery Level Indicators	9
7.6 Operation	9
8. Maintenance and Storage	11
8.1 General Maintenance	11
8.2 Replacing the Soldering Tip	11
8.3 Storing the Soldering Iron	12
9. Disposal	13
10. Explanation of Symbols	14

3. Warranty

Draper Tools products are carefully tested and inspected before shipment and are guaranteed to be free from defective materials and workmanship.

Should the tool develop a fault, return the complete tool to your nearest distributor or contact Draper Tools directly. Contact information can be found at the back of this manual.

Proof of purchase must be provided.

If, upon inspection, it is found that the fault occurring is due to defective materials or workmanship, repairs will be carried out free of charge. This warranty period covers parts and labour for 24 months from the date of purchase. Where tools have been hired out, the warranty period covers 90 days from the date of purchase.

This warranty does not apply to any consumable parts, batteries or normal wear and tear, nor does it cover any damage caused by misuse, careless or unsafe handling, alterations, accidents, or repairs attempted or made by any personnel other than the authorised Draper Tools repair agent.

In all cases, to make a claim for faulty workmanship or materials within the standard warranty period, please contact or return the product to the place of purchase. Proof of purchase may be required.

If the place of purchase is no longer trading or if you experience any difficulties with your warranty, please contact Customer Services with the product details and your proof of purchase. Contact details can be found at the back of this manual.

If the tool is not covered by the terms of this warranty, repairs and carriage charges will be quoted and charged accordingly.

This warranty supersedes any other guarantees expressed or implied and variations of its terms are not authorised.

Your Draper Tools guarantee is not effective until you can produce, upon request, a dated receipt or invoice to verify your purchase within the guarantee period.

Please note that this warranty is an additional benefit and does not affect your statutory rights.

Draper Tools Limited

4.1 Scope

This product is designed for heating solder for attaching or tinning electrical components, cables and conductors. Any other application beyond the conditions established for use will be considered misuse. Draper Tools accepts no responsibility for improper use of this product.

WARNING! This product is not a toy and must be respected.

Read this manual in full before attempting to assemble, operate or maintain the product, and retain it for later use.

Battery packs, chargers and spare soldering tips sold separately.

4.2 Specification

Stock No.	03860	03861
Part No.	SI10.8V	SI12V
Rated voltage	10.8V DC	12V DC
Weight (bare)	0.3kg	0.3kg
Ambient operating temperature	-18–50°C	-18–50°C
Max. tip temperature	400°C	400°C

Battery packs 10.8V (sold separately):

Stock No.	92438	16254
Part No.	CB108LI4AH	CB108LI
Type	Li-ion	Li-ion
Rated Voltage	10.8V	10.8V
Rating	4.0Ah	1.5Ah

Charger 10.8V (sold separately):

Stock No	16255
Part No	C108LI
Rated Voltage	100–240V
Rated Frequency	50–60Hz
Rated output	35W
Rated D.C. output voltage	10.8V
Rated D.C. output current	2.0A
Construction	Class II

Battery packs 12V (sold separately):

Stock No.	70311	70308
Part No.	CB12VDLI4.0	CB12VDLI1.5
Type	Li-ion	Li-ion
Rated Voltage	12V	12V
Rating	4.0Ah	1.5Ah

Charger 12V (sold separately):

Stock No	70326
Part No	C12VDLI
Rated Voltage	100–240V
Rated Frequency	50–60Hz
Rated output	35W
Rated D.C. output voltage	12V
Rated D.C. output current	2.0A
Construction	Class II

Important: Read all Health and Safety instructions before attempting to operate or maintain this product. Non-compliance with these instructions may result in injury or damage to the user, the product or the workpiece.

5.1 General Health and Safety Precautions for this Soldering Iron

- **WARNING! This soldering iron becomes very hot when powered. NEVER touch the metal parts of this product or direct it towards others while the battery is attached.**
- Observe and adhere to all standard safety precautions and good practices when working in a workshop environment.
- Keep the work environment clear and well-lit, with bystanders at a safe distance.
- To remove any resulting fumes, ensure that the work environment is well-ventilated during and after operation.
- **ALWAYS** wear protective eye, face and hand coverings while using this product.
 - Take additional precautions when using chemicals like flux or solder paste; refer to the manufacturer instructions for safe use.
- Before use, inspect the product carefully for signs of damage or battery leakage.
WARNING! DO NOT use this product if damage or defects are present; take it out of service until it has been repaired or replaced. Contact Draper Tools for repair and replacement options.
- Keep the handle and grips clean, dry and free from grease and oil.
- **DO NOT** use this product in wet conditions or expose it to rain.
- **DO NOT** use this product near flammable or combustible materials or in dangerous or explosive environments.
 - Be aware that heat may be conducted to flammable or combustible objects that are not visible.
- **DO NOT** store the product with the battery pack still attached.
- **DO NOT** attempt to open or modify this product in any way.
- **NEVER** leave the product powered while unattended and allow it to cool before moving away.

- Maintenance should **ONLY** be carried out by authorised and suitably qualified personnel.
- Switch off the product, allow it to cool and remove the battery before performing any maintenance on or storing the product.
- **NEVER** stand the tool upright using the battery pack.
 - Lay the soldering iron on its side, ensuring that the tip is clear of any flammable or combustible objects.

5.2 General Safety Information for Batteries and Battery Packs

Important: This product requires a 12V battery pack (sold separately). Use **ONLY** the Draper Tools 12V range battery pack and charger intended for this product.

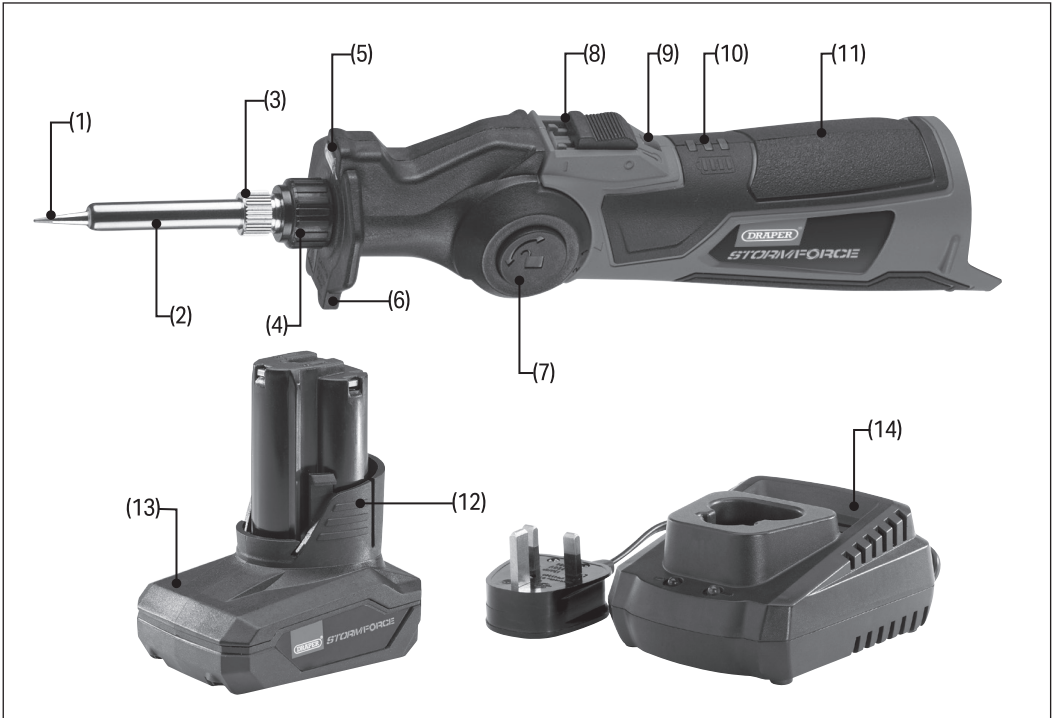
- **WARNING! NEVER charge non-rechargeable batteries.**
- **WARNING! DO NOT use the battery if leakage is evident. If battery fluid comes into contact with your skin, rinse immediately with water. For contact with eyes, flush with plenty of water and seek medical advice.**
- **NEVER** attempt to open the battery for any reason.
- Charge the battery in a dry and well-ventilated environment in ambient temperatures between 5 and 40°C.
- Use **ONLY** the appropriate Draper Tools charger to charge the battery pack.
- **DO NOT** short-circuit the battery by connecting the positive and negative terminals while outside of the product.
 - Keep the battery away from metallic objects that may inadvertently allow connection of the terminals.
- **DO NOT** store the battery pack in environments with ambient temperatures exceeding 50°C.
- Dispose of the battery pack responsibly and in accordance with local regulations.

6. Identification and Unpacking

6.1 Product Overview

Carefully remove the product from the packaging and examine it for any signs of damage that may have occurred during shipment. If any part is damaged or

missing, do not attempt to use the product. Please contact the Draper Helpline; contact details can be found at the back of this manual.



- (1) Soldering tip
- (2) Barrel
- (3) Metal locking nut
- (4) Plastic locking nut
- (5) LED lamp
- (6) Guard
- (7) Rotation button
- (8) On/off switch
- (9) Temperature indicator
- (10) Battery level indicator
- (11) Handle grip
- (12) Battery release buttons
- (13) Battery pack (not supplied)
- (14) Charger (not supplied)

6.2 Packaging

Keep the product packaging for the duration of the warranty period for reference should the product need to be returned for repair.

WARNING! Keep packaging materials out of reach of children. Dispose of packaging correctly and responsibly and in accordance with local regulations.

Please visit drapertools.com for our full range of accessories and consumables.

Important: Before use, read and understand all the safety instructions listed in this manual.

7.1 Installing and Removing the Battery Pack (not supplied)

Important: ONLY use this tool with battery packs and chargers from Draper Tools 12V range. Read all the safety and operation instructions provided with these parts before use.

Important: Before installing the battery, **ALWAYS** ensure that the switch (8) is in the off (O) position. Before removing the battery, **ALWAYS** switch off the product and allow it to cool until the temperature indicator (9) is no longer lit.

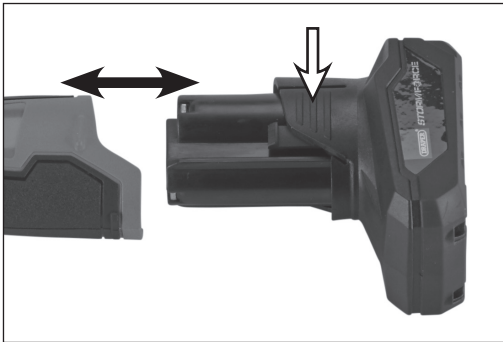


Fig. 1

- To install the battery pack (13), insert it into the socket at the base of the soldering iron until it clicks into place. Do not force the battery, and ensure it is firmly secured before use.
- To remove the battery pack, press and hold the battery release button (12) and slide the battery away from the tool.

Important: The tool will automatically power down if the battery voltage drops too low or overheats. **DO NOT** use the tool until the battery pack has been charged or cooled as appropriate.

7.2 Rotating the Head

WARNING! ALWAYS ensure that the soldering tip (1) is cool and the temperature indicator (9) is **NOT** lit before adjusting the position of the head.

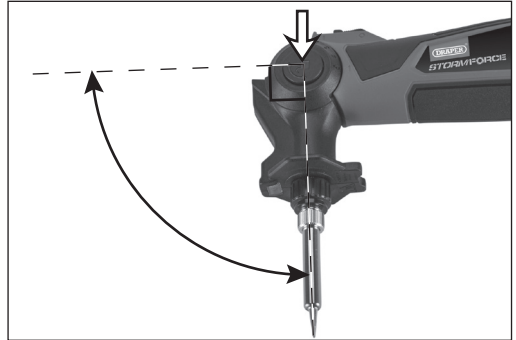


Fig. 2

To rotate the head of the soldering iron, press and hold the rotation button (7) while moving the head to the desired angle. Ensure that the head clicks into place and is secure once positioned.

The head can be adjusted up to 90°.

7.3 The LED Lamp

WARNING! DO NOT look directly into the lamp or direct it towards others.

The LED lamp (5) switches on automatically when the soldering iron is powered on and goes out approximately five seconds after it is switched off.

7.4 The Temperature Indicator

When the tool is switched on, the temperature indicator (9) illuminates automatically and changes mode according to the temperature of the soldering tip. When the tool is turned off, the indicator remains on until the soldering tip has cooled to a safe temperature.

The temperature indicator illuminates in the following modes:

- **Solid red:** The soldering tip is heating up.
- **Solid green:** The soldering tip is at an appropriate temperature for use.
- **Flashing red:** The soldering tip is cooling down.
- **Off:** The soldering tip is at a safe temperature.

WARNING! Even when the temperature indicator is not lit, exercise caution when handling the tool near the soldering tip.

7.5 The Battery Level Indicators

When the tool is switched on, the battery level indicators (10) illuminate automatically and go out approximately five seconds after it is switched off. The battery level indicators may show the following:

- **Three lights on:** The battery is fully charged.
- **Two lights on:** The battery is less than 60% charged.
- **One light on:** The battery is less than 30% charged.
- **No lights on:** The battery is less than 10% charged and the tool cannot be used.

Important: Battery levels shown by the indicators are an approximation only and may vary subject to environmental conditions.

7.6 Operation

Important: Read all Health and Safety instructions before attempting to operate this tool.

WARNING! ALWAYS keep your hands behind the guard and allow the soldering tip to cool for at least 20 minutes after switching off the tool.

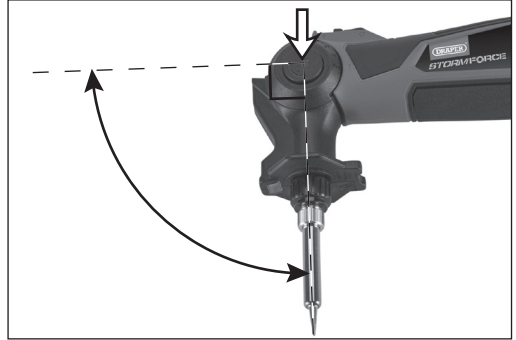


Fig. 3

1. Before installing the battery, rotate the head to the desired angle and ensure that the tool is switched off.

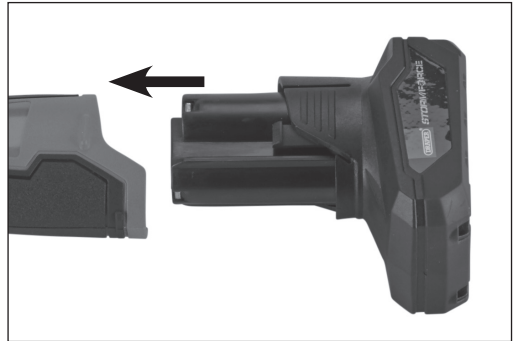


Fig. 4

2. Install the battery.

Important: If the switch was held in the on (I) position while the battery was installed, the tool must be switched off and on again before it can be used.

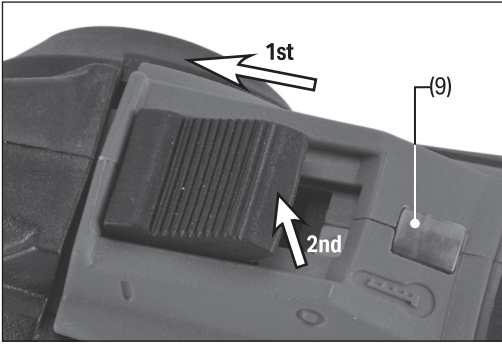


Fig. 5

- Using the bottom part of the on/off switch (8), slide the switch into the on position, holding it there for the duration of use.

Important: The switch can be locked in the on position when used for extended periods. To lock the switch in place, push the bottom of the switch upward slightly when it is in the on position. Press the bottom part of the switch to release it again.

- Allow the tool to reach full temperature; this occurs when the temperature indicator (9) turns green.

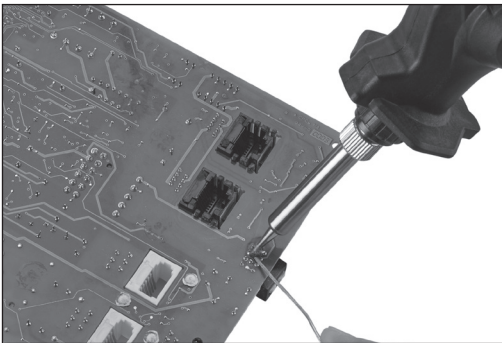


Fig. 6

- Hold the tool firmly and touch the soldering tip (1) against the appropriate area of the workpiece.
- Apply solder to the soldering tip as required.

When complete, remove the tool from the workpiece and release the on/off switch, allowing it to return to the off (O) position.

Important: If the switch is locked, press the bottom of the switch to release it.

- While the soldering tip is still hot, clean it using a wet sponge or brass cleaning wire to prevent build-up of residual solder.

WARNING! The soldering tip is very hot after use. Take care not to touch the tip when cleaning it after use.

- Place the tool on its side with the soldering tip directed located a safe distance from other surfaces and allow the tip to cool.

Important: The soldering tip is not safe to touch until the temperature indicator has completely gone out. This should take around 20 minutes.

Important: Maintenance and repairs should **ONLY** be carried out by authorised and suitably qualified personnel.

WARNING! ALWAYS switch the soldering iron off, allow it to cool and remove the battery before performing any maintenance to this product.

8.1 General Maintenance

- Use **ONLY** spare parts supplied by Draper Tools.
- Use this product **ONLY** with the recommended 12V range battery pack and charger supplied by Draper Tools.
 - **ALWAYS** check the ratings plate for compatibility before use.
- **DO NOT** expose the soldering iron to rain or wet conditions unless cleaning the soldering tip.
- Keep the head assembly clean and dry.
- Clean the soldering tip using a wet sponge while the tip is hot.

WARNING! Take care not to touch any part of the head assembly while the soldering tip is hot.

- Clean the product regularly using a damp cloth.
- **CAUTION!** NEVER use aggressive chemicals to clean the product as these may damage plastic or insulated parts.
- **ALWAYS** remove the battery pack from the tool when not in use.

8.2 Replacing the Soldering Tip

WARNING! This part of the soldering iron gets very hot during use. Do not touch any part of the head assembly until it has cooled to a safe temperature.



Fig. 7

1. Ensure that the temperature indicator (9) is not lit, the on/off switch (8) is in the off (O) position and that the battery pack (13) has been removed.

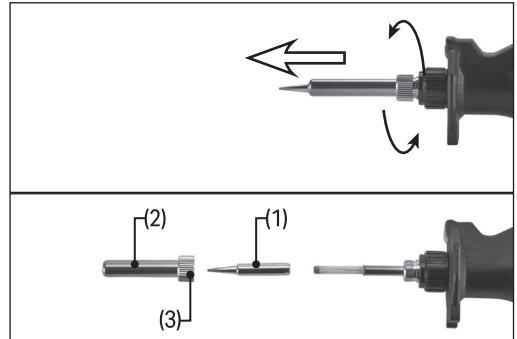


Fig. 8

2. Unscrew the metal locking nut (3) and remove the metal locking nut, barrel (2) and soldering tip (1).
3. Install a new soldering tip onto the metal core.
4. Reinstall the barrel and metal locking nut and tighten the metal locking nut securely.

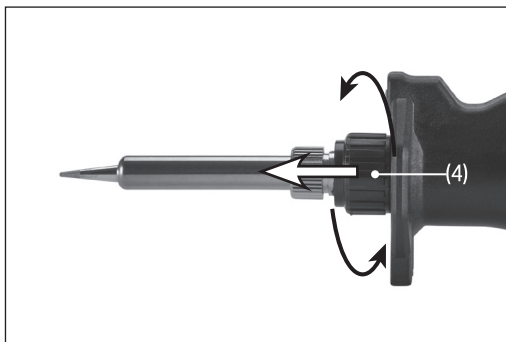


Fig. 9

To remove the complete head assembly as one piece, loosen and remove the plastic locking nut (Fig. 9).

WARNING! After replacing any part of the head assembly, ALWAYS ensure that both locking nuts are securely tightened to prevent parts falling off during use.

8.3 Storing the Soldering Iron

- Store the product in a clean and dry location, out of reach of children.

CAUTION! Prolonged exposure to moisture can cause the soldering iron to rust and render the product unsafe.

- **ALWAYS** remove the battery before storage.
- When stored for extended periods, charge the battery periodically to maintain its health.

At the end of its working life, or when it can no longer be repaired, dispose of the product according to local regulations.

Contact your local authority for details of collection schemes in your area.

In all circumstances:

- **DO NOT** dispose of power tools with domestic waste
- **DO NOT** incinerate
- **DO NOT** abandon in the environment
- Dispose of the battery pack in accordance with local regulations or return to your warranty agent or stockist for recycling
 - Remove the battery from the tool and allow it to discharge before disposal
 - **DO NOT** burn or mutilate batteries as this may release toxic or corrosive materials



10. Explanation of Symbols



Read the instruction manual



Warning!



Wear suitable eye and face protection



Wear protective gloves



Do not incinerate or throw onto fire



Do not abandon in the environment



For indoor use only
Do not expose to rain



Rated voltage



Heated surfaces



WEEE –

Waste Electrical & Electronic Equipment
Do not dispose of this product with domestic waste



Max. tip temperature



Weight (bare)

Contact Details

Draper Tools

Draper Tools Limited
Hursley Road
Chandler's Ford
Eastleigh
Hampshire
SO53 1YF
UK

Website: drapertools.com

Email: sales@drapertools.com

Product Helpline: +44 (0) 23 8049 4344

Telephone Sales Desk: +44 (0) 23 8049 4333

General Enquiries: +44 (0) 23 8026 6355

General Fax: +44 (0) 23 8026 0784

Delta International

Delta International BV
Oude Graaf 8
6002 NL
Weert
Netherlands

Service / Warranty Repair Agents

For aftersales servicing or warranty repairs, please contact the Draper Tools Product Helpline for details of an agent in your area.