



**DRAPER**<sup>®</sup>

**STORMFORCE**

10.8V

# OSCILLATING MULTI-TOOL

08953

UK  
CA CE



These instructions accompanying the product are the original instructions. This document is part of the product, keep it for the life of the product passing it on to any subsequent holder of the product. Read all these instructions before assembling, operating or maintaining this product.

This manual has been compiled by Draper Tools describing the purpose for which the product has been designed, and contains all the necessary information to ensure its correct and safe use. By following all the general safety instructions contained in this manual, it will ensure both product and operator safety, together with longer life of the product itself.

All photographs and drawings in this manual are supplied by Draper Tools to help illustrate the operation of the product.

Whilst every effort has been made to ensure the accuracy of information contained in this manual, the Draper Tools policy of continuous improvement determines the right to make modifications without prior warning.

# 1. TITLE PAGE

---

## 1.1 INTRODUCTION:

**USER MANUAL FOR: 10.8V Oscillating Multi-Tool**

**Stock No: 08953**

**Part No: OMT108**

## 1.2 REVISIONS:

**Date first published January 2022.**

---

---

---

As our user manuals are continually updated, users should make sure that they use the very latest version.

**Downloads are available from:** <http://drapertools.com/manuals>

Draper Tools Limited  
Hursley Road  
Chandler's Ford  
Eastleigh  
Hampshire  
SO53 1YF  
UK

Draper Tools Limited  
Oude Graaf 8  
6002 NL  
WEERT  
Netherlands

**Website:** [drapertools.com](http://drapertools.com)

**Product Help Line:** +44 (0) 23 8049 4344

**General Fax:** +44 (0) 23 8026 0784

## 1.3 UNDERSTANDING THIS MANUALS SAFETY CONTENT:

**Warning!** – Information that draws attention to the risk of injury or death.

**Important** – Information that draws attention to the risk of damage to the product or surroundings.

## 1.4 COPYRIGHT © NOTICE:

Copyright © Draper Tools Limited.

Permission is granted to reproduce this publication for personal and educational use only. Commercial copying, redistribution, hiring or lending is prohibited.

No part of this publication may be stored in a retrieval system or transmitted in any other form or means without written permission from Draper Tools Limited.

In all cases this copyright notice must remain intact.

# 2. CONTENTS

---

## 2.1 TABLE OF CONTENTS

### 1. TITLE PAGE

1.1	INTRODUCTION:.....	2
1.2	REVISIONS:.....	2
1.3	UNDERSTANDING THIS MANUALS SAFETY CONTENT:.....	2
1.4	COPYRIGHT © NOTICE:.....	2

### 2. CONTENTS

2.1	TABLE OF CONTENTS .....	3
-----	-------------------------	---

### 3. WARRANTY

3.1	WARRANTY.....	4
-----	---------------	---

### 4. INTRODUCTION

4.1	SCOPE.....	5
4.2	SPECIFICATION.....	5
4.3	HANDLING AND STORAGE.....	5

### 5. HEALTH AND SAFETY INFORMATION

5.1	GENERAL SAFETY INSTRUCTIONS FOR POWER TOOL USE .....	6
5.2	ADDITIONAL SAFETY INSTRUCTIONS FOR CORDLESS MULTI-TOOL.....	7
5.3	RESIDUAL RISK.....	8

### 6. TECHNICAL DESCRIPTION

6.1	IDENTIFICATION.....	9
-----	---------------------	---

### 7. UNPACKING AND CHECKING

7.1	PACKAGING .....	10
7.2	DRAPER 10.8V MULTI-TOOL INTERCHANGEABLE BATTERY SYSTEM .....	10
7.3	WHAT'S IN THE BOX .....	10

### 8. PREPARING THE MULTI-TOOL

8.1	FITTING ACCESSORIES .....	11
8.2	FITTING A BATTERY .....	11

### 9. OPERATION

9.1	ON/OFF SWITCH .....	12
9.2	VARIABLE SPEED DIAL.....	12
9.3	LED WORK LIGHT .....	12
9.4	BATTERY POWER INDICATORS .....	12
9.5	CUTTING, SAWING & SCRAPING.....	13
9.6	SANDING.....	13

### 10. MAINTENANCE AND TROUBLESHOOTING

10.1	MAINTENANCE.....	14
10.2	TROUBLESHOOTING GUIDE.....	14

### 11. EXPLANATION OF SYMBOLS

11.1	EXPLANATION OF SYMBOLS.....	15
------	-----------------------------	----

### 12. DISPOSAL

12.1	DISPOSAL .....	16
------	----------------	----

## 3. WARRANTY

---

### 3.1 WARRANTY

Draper tools have been carefully tested and inspected before shipment and are guaranteed to be free from defective materials and workmanship.

Should the tool develop a fault, please return the complete tool to your nearest distributor or contact:

**Draper Tools Limited, Chandler's Ford, Eastleigh, Hampshire, SO53 1YF. England.**

**Telephone Sales Desk: +44 (0) 8049 4333 or Product Help Line +44 (0) 23 8049 4344.**

A proof of purchase **must** be provided with the tool.

If upon inspection it is found that the fault occurring is due to defective materials or workmanship, repairs will be carried out free of charge. This warranty period covering labour is 12 months from the date of purchase except where tools are hired out when the warranty period is 90 days from the date of purchase. The warranty is extended to 24 months for parts only. This warranty does not apply to any consumable parts, any type of battery or normal wear and tear, nor does it cover any damage caused by misuse, careless or unsafe handling, alterations, accidents, or repairs attempted or made by any personnel other than the authorised Draper warranty repair agent.

**Note:** If the tool is found not to be within the terms of warranty, repairs and carriage charges will be quoted and made accordingly.

This warranty applies in lieu of any other warranty expressed or implied and variations of its terms are not authorised.

Your Draper warranty is not effective unless you can produce upon request a dated receipt or invoice to verify your proof of purchase within the warranty period.

Please note that this warranty is an additional benefit and does not affect your statutory rights.

**Draper Tools Limited.**

## 4. INTRODUCTION

---

### 4.1 SCOPE

The tool is intended for sawing and cutting wood, plastic, gypsum, non-ferrous metals, and fastening elements (e. g. unhardened nails and staples). It is also intended for working soft wall tiles, as well as dry sanding and scraping of small surfaces. It is especially for working close to edge and flush cutting. Any application other than that it was designed for is considered misuse.

### 4.2 SPECIFICATION

Stock No. ....	08953
Part No. ....	OMT108
Voltage .....	10.8V
Speed (no load) .....	5,000 - 16,000rpm
Speed settings .....	6
Oscillation .....	3 degrees
Pad Size .....	90x90x90mm
Weight (bare tool) .....	0.96kg

### 4.3 HANDLING AND STORAGE

- Care must be taken when handling this product.
  - Dropping this power tool could have an effect on its accuracy and could also result in personal injury. This product is not a toy and must be respected.
- Environmental conditions can have a detrimental effect on this product if neglected.
  - Exposure to damp air can gradually corrode components. If the product is unprotected from dust and debris, components will become clogged.
  - If not cleaned and maintained correctly or regularly, the machine will not perform at its best.

## 5. HEALTH AND SAFETY INFORMATION

---

### 5.1 GENERAL SAFETY INSTRUCTIONS FOR POWER TOOL USE

When using any type of power tool there are steps that should be taken to make sure that you, as the user, remain safe.

Common sense and a respect for the tool will help reduce the risk of injury.

**Read the instruction manual fully.** Do not attempt any operation until you have read and understood this manual.

Most important you must know how to safely start and stop this machine, especially in an emergency.

**Keep the work area tidy and clean.** Attempting to clear clutter from around the machine during use will reduce your concentration. Mess on the floor creates a trip hazard. Any liquid spilled on the floor could result in you slipping.

**Find a suitable location.** If the machine is bench mounted, the location should provide good natural light or artificial lighting as a replacement. Avoid damp and dust locations as it will have a negative effect on the machine's performance. If the machine is portable do not expose the tool to rain. In all cases do not operate power tools near any flammable materials.

**Keep bystanders away.** Children, onlookers and passers by must be restricted from entering the work area for their own protection. The barrier must extend a suitable distance from the tool user.

Unplug and house all power tools that are not in use. A power tool should never be left unattended while connected to the power supply. They must be housed in a suitable location, away locked up and from children. This includes battery chargers.

**Do not overload or misuse the tool.** All tools are designed for a purpose and are limited to what they are capable of doing. Do not attempt to use a power tool (or adapt it in any way) for an application it is not designed for. Select a tool appropriate for the size of the job. Overloading a tool will result in tool failure and user injury. This covers the use of accessories.

**Dress properly.** Loose clothing, long hair and jewellery are all dangerous because they can become entangled in moving machinery. This can also result in parts of body being pulled into the machine. Clothing should be close fitted, with any long hair tied back and jewellery and neck ties removed. Footwear must be fully enclosed and have a non-slip sole.

**Wear personal protective equipment (PPE).** Dust, noise, vibration and swarf can all be dangerous if not suitably protected against. If the work involving the power tool creates dust or fumes wear a dust mask. Vibration to the hand, caused by operating some tools for longer periods must be protected against. Wear vibration reducing gloves and allow long breaks between uses. Protect against dust and swarf by wearing approved safety goggles or a face shield. These are some of the more common hazards and preventions, however, always find out what hazards are associated with the machine/work process and wear the most suitable protective equipment available.

**Do not breathe contaminated air.** If the work creates dust or fumes connect the machine (if possible) to an extraction system either locally or remotely. Working outdoors can also help if possible.

**Move the machine as instructed.** If the machine is hand held, do not carry it by the power supply cable. If the product is heavy, employ a second or third person to help move it safely or use a mechanical device. Always refer to the instructions for the correct method.

**Do not overreach.** Extending your body too far can result in a loss of balance and you falling. This could be from a height or onto a machine and will result in injury.

**Maintain your tools correctly.** A well maintained tool will do the job safely. Replace any damaged or missing parts immediately with original parts from the manufacturer. As applicable, keep blades sharp, moving parts clean, oiled or greased, handles clean, and emergency devices working.

**Wait for the machine to stop.** Unless the machine is fitted with a safety brake, some parts may continue to move due to momentum. Wait for all parts to stop, then unplug it from the power supply before making any adjustments, carrying out maintenance operations or just finishing using the tool.

## 5. HEALTH AND SAFETY INFORMATION

---

**Remove and check setting tools.** Some machinery requires the use of additional tools or keys to set, load or adjust the power tool. Before starting the power tool always check to make certain they have been removed and are safely away from the machine.

**Prevent unintentional starting.** Before plugging any machine in to the power supply, make sure the switch is in the OFF position. If the machine is portable, do not hold the machine near the switch and take care when putting the machine down, that nothing can operate the switch.

**Carefully select an extension lead.** Some machines are not suitable for use with extension leads. If the tool is designed for use outdoors, use an extension lead also suitable for that environment. When using an extended lead, select one capable of handling the current (amps) drawn by the machine in use. Fully extend the lead regardless of the distance between the power supply and the tool. Excess current (amps) and a coiled extension lead will both cause the cable to heat up and can result in fire.

**Concentrate and stay alert.** Distractions are likely to cause an accident. Never operate a power tool if you are under the influence of drugs (prescription or otherwise), including alcohol or if you are feeling tired. Being disorientated will result in an accident.

**Have this tool repaired by a qualified person.** This tool is designed to conform to the relevant international and local standards and as such should be maintained and repaired by someone qualified, using only original parts supplied by the manufacturer. This will ensure the tool remains safe to use.

### 5.2 ADDITIONAL SAFETY INSTRUCTIONS FOR CORDLESS MULTI-TOOL

**This power tool is intended to function for sawing, cutting, grinding and sanding. Read all safety warnings, instructions, illustrations and specifications provided with this power tool.** Failure to follow all instructions listed below may result in electric shock, fire and/or serious injury.

**Hold power tool by insulated gripping surfaces, when performing an operation where the cutting accessory may contact hidden wiring.** Cutting accessory contacting a “live” wire may make exposed metal parts of the power tool “live” and could give the operator an electric shock.

**Use clamps or another practical way to secure and support the workpiece to a stable platform.** Holding the work by hand or against your body leaves it unstable and may lead to loss of control.

**Always use safety glasses or goggles.** Ordinary eye or sun glasses are NOT safety glasses.

**Avoid cutting nails.** Inspect workpiece for any nails and remove them before operation.

**Hold the tool firmly.**

**Make sure the application tool is not contacting the workpiece before the switch is turned on.**

**Keep hands away from moving parts.**

**Do not leave the tool running.** Operate the tool only when hand-held. Always switch off and wait for the blade to come to a complete stop before removing the blade from the workpiece.

**Do not touch the application tool or the workpiece immediately after operation.** They may be extremely hot and could burn your skin.

**Do not operate the tool at no-load unnecessarily.**

Always use the correct dust mask/respirator for the material and application you are working with.

**Some material contains chemicals which may be toxic.** Take caution to prevent dust inhalation and skin contact. Follow material supplier safety data.

**Do not use near water.** This tool has not been waterproofed, so do not use water on the workpiece surface.

**Ventilate your work area adequately when you perform sanding operations.**

**Use appropriate respiratory protection.** Use of this tool to sand some products, paints and wood could expose user to dust containing hazardous substances.

## 5. HEALTH AND SAFETY INFORMATION

---

**Be sure that there are no cracks or breakage on the pad before use.** Cracks or breakage may cause a personal injury.

**Do not use accessories which are not specifically designed and recommended by the tool manufacturer.** Just because the accessory can be attached to your power tool, it does not assure safe operation.

**Wear personal protective equipment.** Depending on application, use face shield, safety goggles or safety glasses. As appropriate, wear hearing protectors, gloves and workshop apron capable of stopping small abrasive or workpiece fragments. The eye protection must be capable of stopping flying debris generated by various operations. The dust mask or respirator must be capable of filtering particles generated by your operation. Prolonged exposure to high intensity noise may cause hearing loss.

**Keep bystanders a safe distance away from work area.** Anyone entering the work area must wear personal protective equipment. Fragments of workpiece or of a broken accessory may fly away and cause injury beyond immediate area of operation.

**Never lay the power tool down until the accessory has come to a complete stop.** The spinning accessory may grab the surface and pull the power tool out of your control.

**Do not run the power tool while carrying it at your side.** Accidental contact with the accessory could snag your clothing, pulling the accessory into your body.

**Do not operate the power tool near flammable materials.** Sparks could ignite these materials.

**Do not use accessories that require liquid coolants.** Using water or other liquid coolants may result in electrocution or shock.

**Always be sure that the tool is switched off and unplugged or that the battery cartridge is removed before carrying out any work on the tool.**

**Always be sure you have a firm footing.** Be sure no one is below when using the tool in high locations.

**DO NOT let comfort or familiarity with product (gained from repeated use) replace strict adherence to safety rules for the subject product. MISUSE or failure to follow the safety rules stated in this manual may cause serious personal injury.**

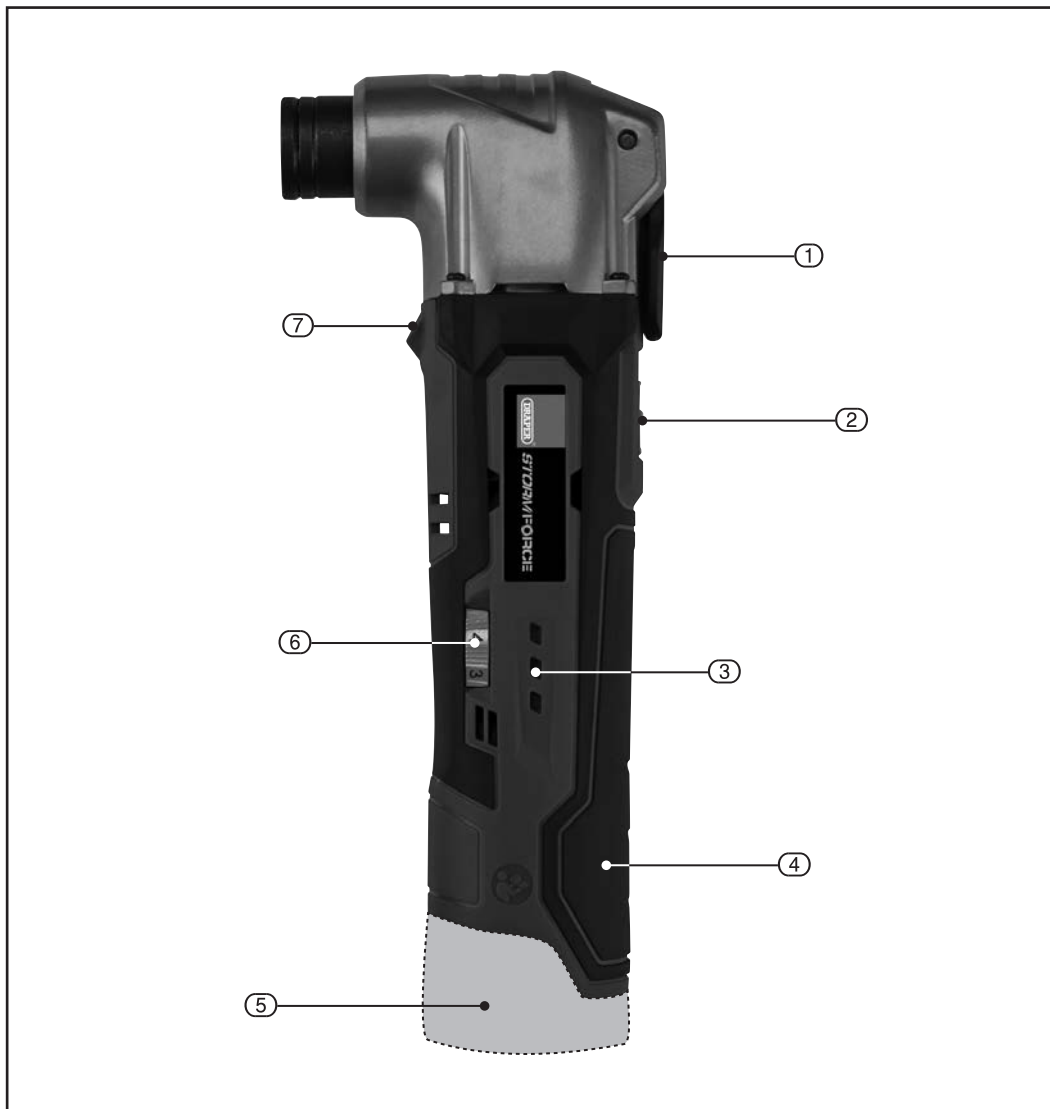
### 5.3 RESIDUAL RISK

**Important:** Although the safety instructions and operating manuals for our tools contain extensive instructions of safe working with power tools, every power tool involves a certain residual risk which can not be completely excluded by safety mechanisms. Power tools must therefore always be operated with caution!



## 6. TECHNICAL DESCRIPTION

### 6.1 IDENTIFICATION



- ① Lock lever.
- ② On/off sliding switch.
- ③ Battery indicator lamps.
- ④ Soft grip handle.
- ⑤ 10.8V Li-ion battery pack (sold separately).

- ⑥ Variable speed dial.
- ⑦ LED work light.

# 7. UNPACKING AND CHECKING

## 7.1 PACKAGING

Carefully remove the product from the packaging and examine it for any sign of damage that may have happened during shipping. Lay the contents out and check them against the parts shown below. If any part is damaged or missing, please contact the Draper Help Line (the telephone number appears on the Title page) and do not attempt to use the product.

The packaging material should be retained at least during the warranty period, in case the machine needs to be returned for repair.

### Warning!

- Some of the packaging materials used may be harmful to children. Do not leave any of these materials in the reach of children.
- If any of the packaging is to be thrown away, make sure they are disposed of correctly, according to local regulations.

## 7.2 DRAPER 10.8V MULTI-TOOL INTERCHANGEABLE BATTERY SYSTEM

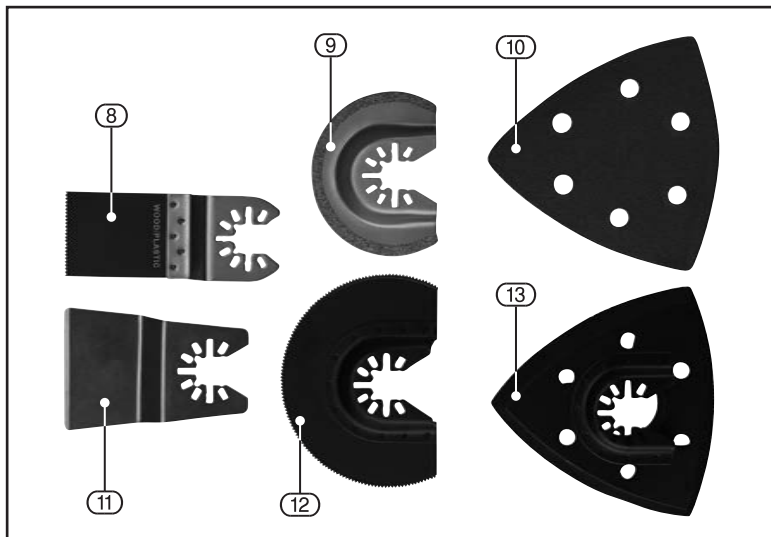
This tool is supplied **without** a battery, and **without** a charger. These optional accessories are available.

The Draper 10.8V multi-tool interchange range features an array of machines all running from the same batteries and charger. To find out the latest range of accessories including batteries and charger please consult the Draper website for more information or to find your local Draper stockist.



## 7.3 WHAT'S IN THE BOX

As well as the main product, there are several parts not fitted or attached to it.



(8) Plunge saw blade.

(9) Alloy grinding plate.

(10) 4 x sanding papers;  
60, 80, 120, 240 grits.

(11) Scraper.

(12) Segment wood & plastic saw blade.

(13) Sanding pad.

**Note:** For details of our full range of accessories and consumables, please visit [drapertools.com](http://drapertools.com)

## 8. PREPARING THE MULTI-TOOL

### 8.1 FITTING ACCESSORIES - FIGS. 1 - 3

**Warning!** Always make sure the tool is switched off and the battery cartridge is removed before carrying out any adjustments, to prevent accidental starting resulting in damage or personal injury.

To install an accessory:

- Open the lock lever ① fully.
- Put the accessory onto the tool flange so that the protrusions of the tool flange fit the holes in the accessory.
- Return the lock lever ① to its original position to lock into place.

If using the tool as a sander, the sanding paper ⑩ will need to be installed to the sanding pad ⑬ (hook and loop fitting). Make sure their shape and dust extraction holes are in alignment.

To remove an accessory simply open the lock lever and remove accessory.

### 8.2 FITTING A BATTERY - FIG. 4

**Warning!** Always switch off the tool before installing or removing a battery cartridge.

**Important:** Hold the tool and the battery cartridge firmly when installing or removing the battery cartridge. Failure to hold the tool and battery firmly may cause them to slip off your hands and result in damage to the tool and battery cartridge or a personal injury.

To install a battery, align the battery cartridge (sold separately) with the grooves of the tool and slide into place. Insert all the way until it locks in place with a small click.

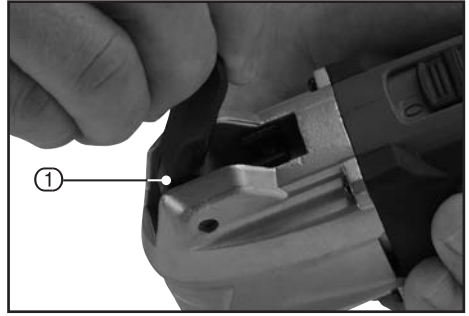


FIG.1



FIG.2

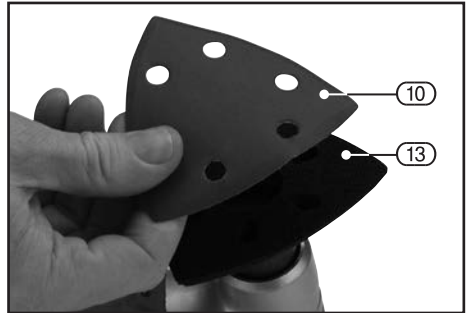


FIG.3



FIG.4

# 9. OPERATION

## 9.1 ON/OFF SWITCH - FIG. 5

**Important:** Before installing the battery cartridge into the tool, always check to see that the tool is switched off.

To start the tool slide the switch (2) up to the "I (on)" position.

To stop the tool, slide the switch (2) down to the "O (off)" position.



FIG.5

## 9.2 VARIABLE SPEED DIAL - FIG. 6

The speed of this tool is variable at 6 different speeds using the dial (6). The higher the number the quicker the stroke rate is. Preset the dial to the number suitable for your workpiece.

**Note:** The dial cannot be turned directly from 1 to 6 or from 6 to 1. Forcing the dial may damage the tool. When changing the dial direction, always turn the dial moving it through each intermediate number.



FIG.6

## 9.3 LED WORK LIGHT - FIG. 7

**Warning!** Do not look directly into the light.

The LED worklight (7) will automatically illuminate when the tool is switched on, and will also immediately go out when the tool is turned off.



FIG.7

## 9.4 BATTERY POWER INDICATORS - FIG. 8

When starting the tool the battery power indicator lights (3) will automatically illuminate for approximately 5 seconds.

- 3 green lights on = Fully Charged
- 2 green lights on = 30-60% capacity
- 1 green light on = 10-30% capacity

**Note:** Depending on the conditions of use and the ambient temperature, the indication may differ slightly from actual capacity.



FIG.8

## 9. OPERATION

---

**Warning!** Before starting the tool and during operation be sure to keep your hand and face away from the tool accessory/blade.

**Warning!** Do not apply excessive load to the tool which may cause motor lock and stop the tool.

### 9.5 CUTTING, SAWING & SCRAPING

**Warning!** Do not move the tool forcibly in the direction of the non-cutting edge of the accessory being used. It may damage the tool.

Make sure to hold the tool firmly.

Put the accessory against the workpiece, and move the tool forward so that the tool movement does not slow down.

**Note:** Forcing or excessive pressure on the tool may reduce efficiency.

**Note:** Before cutting operation it is recommended to set the stroke rate between 3-5.

### 9.6 SANDING

**Warning!** Do not reuse sand paper used for sanding metal for sanding wood.

**Warning!** Do not use a worn sanding paper or sanding paper without grit.

Apply a sanding paper against the workpiece. Do not apply excessive force.

**Note:** Using a test material sample to try is recommended to determine a correct stroke rate suitable for your work.

**Note:** Use a sanding paper with the same grit until sanding the whole workpiece is completed. Replacing a sanding paper with different grit sanding paper may not get a fine finish.

# 10. MAINTENANCE AND TROUBLESHOOTING

---

## 10.1 MAINTENANCE

Regular inspection and cleaning reduces the necessity for maintenance operations and will keep your tool in good working condition.

The motor must be correctly ventilated during tool operation. Avoid blocking the air inlets and vacuum the ventilation slots regularly.

## 10.2 TROUBLESHOOTING GUIDE

<b>Problem</b>	<b>Possible Cause</b>	<b>Remedy</b>
Motor does not start.	1. Battery pack no charge.	1. Re-charge battery.
	2. Battery faulty or damaged.	2. Replace battery.
Motor runs, but slowly/ losing power.	1. Battery pack no charge.	1. Re-charge battery.
	2. Battery pack faulty or damaged.	2. Replace battery.
Battery pack doesn't charge / non-illumination / non illumination of charger.	1. Fuse blown in charger plug.	1. Replace fuse.
	2. Charger faulty.	2. Replace charger.

# 11. EXPLANATION OF SYMBOLS

---

## 11.1 EXPLANATION OF SYMBOLS



Read the instruction manual.



Wear face mask and safety glasses.



Wear ear defenders.



Wear protective gloves.



Do not abandon into the environment.



Keep out of the reach of children.



**Warning!**



Rated voltage.



WEEE –  
Waste Electrical & Electronic Equipment.  
Do not dispose of Waste Electrical & Electronic  
Equipment in with domestic rubbish.

# 12. DISPOSAL

---

## 12.1 DISPOSAL

- At the end of the machine's working life, or when it can no longer be repaired, ensure that it is disposed of according to national regulations.
- Contact your local authority for details of collection schemes in your area.

In all circumstances:

- Do not dispose of power tools with domestic waste.
- Do not incinerate.
- Do not dispose of WEEE\* as unsorted municipal waste.



\* *Waste Electrical & Electronic Equipment.*



# NOTES

---

# NOTES

---

# NOTES

---

# **CONTACTS**

Draper Tools Limited

UK: Hursley Road, Chandler's Ford, Eastleigh,  
Hampshire. SO53 1YF, UK.

EU: Oude Graaf 8  
6002 NL Weert (NL)

Help Line: (023) 8049 4344

Sales Desk: (023) 8049 4333

Internet: [drapertools.com](http://drapertools.com)

E-mail: [sales@drapertools.com](mailto:sales@drapertools.com)

General Enquiries: (023) 8026 6355

**Service/Warranty Repair Agent:**

For aftersales servicing or warranty repairs, please contact the Draper Tools Help Line for details of an agent in your local area.

## **YOUR DRAPER STOCKIST**

TACM0122

©Published by Draper Tools Limited.

No part of this publication may be reproduced, stored in a retrieval system or transmitted in any form or by any means, electronic, mechanical photocopying, recording or otherwise without prior permission in writing from Draper Tools Ltd.