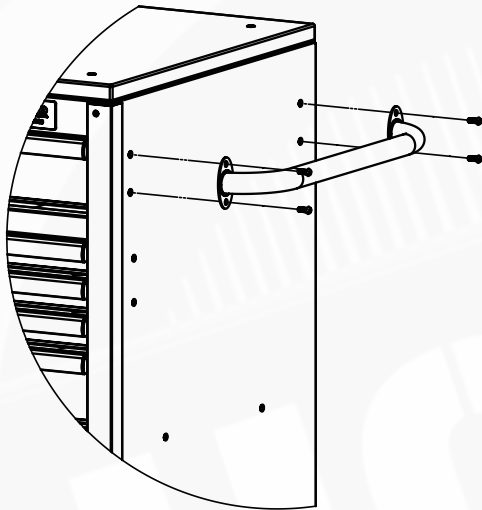


To make assembly easier we recommend having two persons aid one another in assembly.

Stock No.
08238, 08241, 10368, 10747

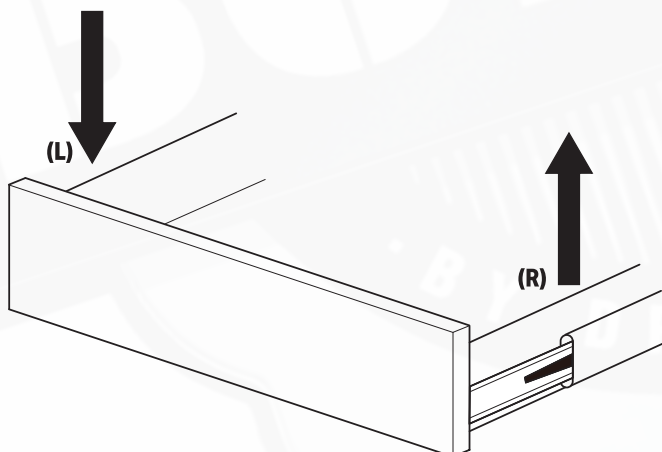
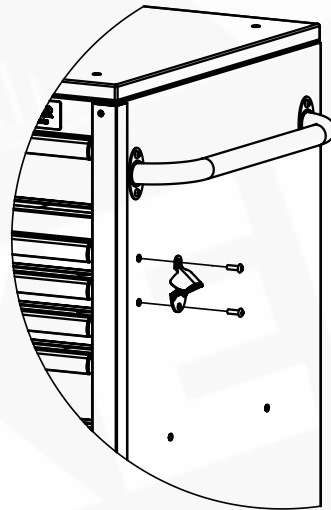
STEP 1: ATTACH CABINET HANDLE

- Position the cabinet handle over the holes on the cabinet.
- Attach with (4) M6 x 16mm bolts and tighten with supplied hex key.



STEP 2: ATTACH BOTTLE OPENER

- Position the bottle opener over the holes on the cabinet.
- Attach with (2) M6 x 16mm bolts and tighten with supplied hex key.



REMOVING AND REPLACING THE DRAWERS

- Pull the drawer completely out.
- Press down the left tab and lift up the right tab.
- Pull drawer off slides.
- To reinstall the drawer, realign with the internal drawer slide and push in until locked in place.

CASTOR MAINTENANCE

- Grease the castors annually using high-quality bearing grease.

CARE AND CLEANING

- Periodically the surfaces should be cleaned with a mild detergent and water. Grease and oil can be removed with most standard cleaning fluids. For safety, use a non-flammable cleaning fluid.
- Auto wax will preserve the storage unit's luster finish and protect against scratches.