

EN

Original Instructions
Version 1

DRAPER[®]

BOTTLE JACKS

13064, 13066, 13069, 13070, 13072, 13073, 13074, 13103, 13104, 13105, 13107, 13117, 13126.



**UK
CA** **CE**

1. Preface

These are the original product instructions. This document is part of the product; retain it for the life of the product, passing it on to subsequent holders. Read this manual in full before attempting to assemble, operate, or maintain this product.

This Draper Tools manual describes the purpose of the product and contains all the necessary information to ensure its correct and safe use. Following all the instructions and guidance in this manual will ensure the safety of both the product and the operator and increase the lifespan of the product.

All photographs and drawings within this manual are supplied by Draper Tools to help illustrate correct operation of the product.

Every effort has been made to ensure the information contained in this manual is accurate. However, Draper Tools reserves the right to amend this document without prior warning. Always use the latest version of the product manual.

1.1 Product Reference

User Manual for: Bottle Jacks

Stock No: 13064, 13066, 13069, 13070, 13072, 13073, 13074, 13103, 13104, 13105, 13107, 13117, 13126.

Part No: BJ2-B, BJ4-B, BJ6-B, BJ8-B, BJ10-B, BJ12-B, BJ16, BJ20-B, BJ32-B, BJ50-B, BJ4HL-B, BJ10HL-B, BJ12HL-C.

1.2 Revisions

Version 1: February 2022
First release

As our manuals are continually updated, always ensure that the latest version is used.

Download the latest version from:
drapertools.com/manuals

1.3 Understanding the Safety Content

WARNING! – Situations or actions that may result in personal injury or death.

CAUTION! – Situations or actions that may result in damage to the product or surroundings.

Important: – Information or instructions of particular importance.

1.4 Copyright © Notice

Copyright © Draper Tools Limited.

Permission is granted to reproduce this manual for personal and educational use **ONLY**. Commercial copying, redistribution, hiring, or lending is strictly prohibited.

No part of this manual may be stored in a retrieval system or transmitted in any other form or means without written permission from Draper Tools Limited.

In all cases, this copyright notice must remain intact.

1. Preface	2
1.1 Product Reference	2
1.2 Revisions	2
1.3 Understanding the Safety Content	2
1.4 Copyright © Notice	2
2. Contents	3
3. Warranty	4
4. Product Introduction	5
4.1 Scope	5
4.2 Specification	5
5. Health and Safety Information	6
5.1 General Health and Safety Precautions	6
5.2 Preparing the Vehicle to be Lifted	6
5.3 Correct Use of the Jack	7
6. Identification and Unpacking	8
6.1 Product Overview	8
6.2 What's in The Box?	9
6.3 Packaging	9
7. Operating Instructions	10
7.1 Preparing the Jack	10
7.2 Raising a Load	11
7.3 Lowering a Load	11
8. Maintenance	12
8.1 General Maintenance	12
8.2 Checking and Replacing the Oil	12
8.3 Storing the Jack	12
8.4 Troubleshooting	13
9. Disposal	14
10. Explanation of Symbols	15

3. Warranty

Draper Tools products are carefully tested and inspected before shipment and are guaranteed to be free from defective materials and workmanship.

Should the tool develop a fault, return the complete tool to your nearest distributor or contact Draper Tools directly. Contact information can be found at the back of this manual.

Proof of purchase must be provided.

If, upon inspection, it is found that the fault occurring is due to defective materials or workmanship, repairs will be carried out free of charge. This warranty period covers parts and labour for 12 months from the date of purchase. Where tools have been hired out, the warranty period covers 90 days from the date of purchase.

This warranty does not apply to any consumable parts, batteries or normal wear and tear, nor does it cover any damage caused by misuse, careless or unsafe handling, alterations, accidents, or repairs attempted or made by any personnel other than the authorised Draper Tools repair agent.

In all cases, to make a claim for faulty workmanship or materials within the standard warranty period, please contact or return the product to the place of purchase. Proof of purchase may be required.

If the place of purchase is no longer trading or if you experience any difficulties with your warranty, please contact Customer Services with the product details and your proof of purchase. Contact details can be found at the back of this manual.

If the tool is not covered by the terms of this warranty, repairs and carriage charges will be quoted and charged accordingly.

This warranty supersedes any other guarantees expressed or implied and variations of its terms are not authorised.

Your Draper Tools guarantee is not effective until you can produce, upon request, a dated receipt or invoice to verify your purchase within the guarantee period.

Please note that this warranty is an additional benefit and does not affect your statutory rights.

Draper Tools Limited

4.1 Scope

This jack is designed for use in lifting vehicles up to the maximum stated weight limit. It is manufactured and tested in accordance with the required standard. Any other application beyond the conditions established for use will be considered misuse. Draper Tools accepts no responsibility for improper use of this product.

WARNING! This product is not a toy and must be respected.

Read this manual in full before attempting to assemble, operate or maintain the product, and retain it for later use.

4.2 Specification

Stock No.	13064	13066	13069	13070	13072	13073	13074
Part No.	BJ2-B	BJ4-B	BJ6-B	BJ8-B	BJ10-B	BJ12-B	BJ16
Lift capacity	2,000kg	4,000kg	6,000kg	8,000kg	10,000kg	12,000kg	16,000kg
Minimum height	148mm	180mm	200mm	200mm	200mm	210mm	225mm
Maximum height	278mm	340mm	385mm	385mm	385mm	395mm	425mm
Net weight	2.1kg	3.2kg	4.2kg	5kg	5.2kg	6.5kg	7.5kg

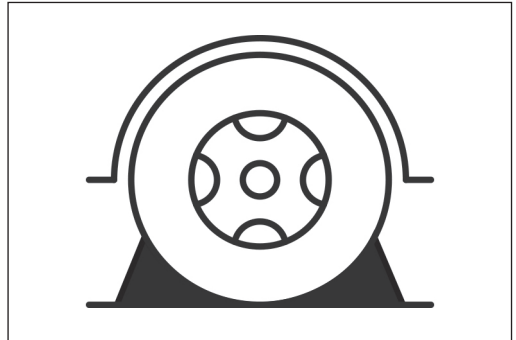
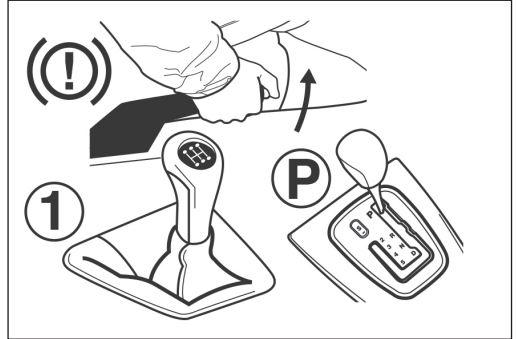
Stock No.	13103	13104	13105	13107	13117	13126
Part No.	BJ20-B	BJ32-B	BJ50-B	BJ4HL-B	BJ10HL-B	BJ12HL-C
Lift capacity	20,000kg	32,000kg	50,000kg	4,000kg	10,000kg	12,000kg
Minimum height	235mm	255mm	300mm	185mm	240mm	230mm
Maximum height	440mm	405mm	480mm	445mm	605mm	575mm
Net weight	9.9kg	12.5kg	30kg	4.8kg	8.5kg	10.5kg

Important: Read all Health and Safety instructions before attempting to operate, maintain or repair this product. Non-compliance with these instructions may result in injury or damage to the user, the product or the vehicle to be lifted. Draper Tools accepts no responsibility for improper use of this jack.

5.1 General Health and Safety Precautions

- Only authorised personnel who have carefully read and understood this manual should operate this product.
- Always wear adequate protective footwear when using the jack.
- Always ensure that the working area is well illuminated and free from obstructions.
- Keep bystanders at a safe distance during operation.
- Allow a minimum distance of 0.5m between the vehicle and surrounding objects to allow the vehicle to tip when lifted.
- Care must be taken when handling and lifting.
 - Dropping the jack may result in damage to the product or personal injury.
- **DO NOT** modify this product in any way.
- Stay alert to external interference that may cause the raised load to rock during preparation and operation.
- When not in use, lower the lifting arm, put the pump handle into an upright position and twist it clockwise until strong resistance is felt.
 - This prevents the pump handle from creating a trip hazard and holds it in the upright position.
 - Alternatively, lower the lifting arm, remove the pump handle and lay it flat on the floor.
- This jack does not emit noise that exceeds a level of 70dB(A) during operation.

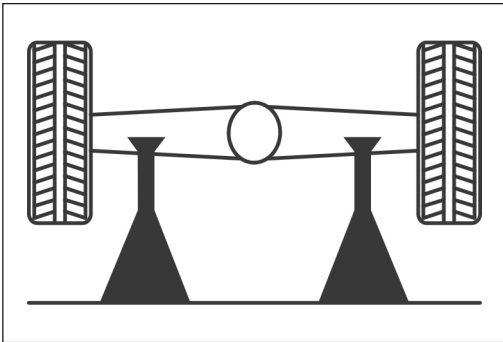
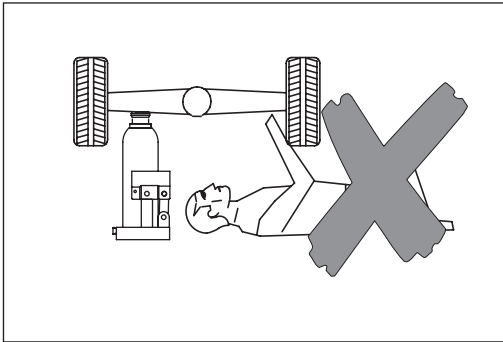
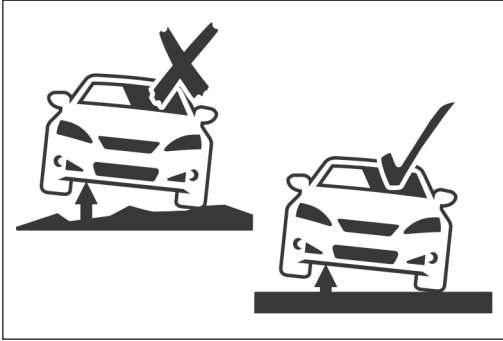
5.2 Preparing the Vehicle to be Lifted



WARNING! DO NOT lift the vehicle if it may result in the spillage of dangerous substances, including fuel or battery acid.

- Ensure that there is no one inside the vehicle.
- Switch off the engine and apply the handbrake.
- Put the vehicle into gear (for manual transmission) or "Park" (for automatic transmission).
- Take any necessary precautions to prevent the vehicle from sliding.
 - Grounded wheels should be securely blocked with wheel chocks (Stock No. 54500).

5.3 Correct Use of the Jack



Important: The jack is a lifting device **ONLY** and should never be used to move the vehicle. The vehicle to be lifted should never exceed the rated capacity of the jack.

- **ALWAYS** bleed the jack piston before use.
 - **ONLY** operate the jack on solid, level and horizontal surfaces.
 - A concrete surface is recommended, where possible.
- WARNING! Never use the jack on any surface that is slippery or may sink or rock.**
- When positioning the jack, **ALWAYS** use the manufacturer's recommended lifting point.
 - These points vary between vehicles; consult the manufacturer's manual or the Haynes workshop manual for the specific vehicle information.
 - Ensure that the lifting point is not dirty, greasy or corroded.
 - The lifting point must remain centred over the saddle during raising and lowering; off-centred loads may slip and cause injury.
 - Position the jack so that no part of the operator is required to be underneath the vehicle at any time during lifting or lowering.
 - To prevent overloading, the jack is fitted with an overload valve set at the factory.

Important: The overload valve should not be adjusted under any circumstances. If the capacity of the jack is exceeded, the valve will prevent the lifting operation.
 - Take **all** precautions to prevent movement of the vehicle during raising and lowering.
 - Be aware that traffic and other external forces may cause the load to rock if used at the roadside.
 - Remain alert and observe the load at **all** times during operation.
 - Should any dangerous conditions occur, including unexpected movement of the vehicle, cease **all** operation until these conditions have been rectified.
 - **NEVER** work under a raised vehicle without using the correct axle supports or other appropriate supporting methods.
 - **DO NOT** enter the vehicle or start the engine while it is supported on the jack or axle stand.
 - **NEVER** leave the jack unattended when in use.
 - **ALWAYS** ensure that there are no persons or obstacles beneath the vehicle before lowering.

6.1 Product Overview



- | | |
|---|--|
| (1) Pump handle | (6) Carry handle (only on larger models) |
| (2) Extension screw (only on some models) | (7) Handle socket |
| (3) Saddle | (8) Overload valve |
| (4) Ram | (9) Release valve |
| (5) Oil filler plug | |

6. Identification and Unpacking

EN

6.2 What's in The Box?

Carefully remove the product from the packaging and examine it for any signs of damage that may have occurred during shipment.

Before assembling the product, lay the contents out and check them against the parts shown below. If any part is damaged or missing, do not attempt to use the product. Please contact the Draper Help Line; contact details can be found at the back of this manual.



(A) Bottle jack (13117 shown)

(B) Handle

6.3 Packaging

Keep the product packaging for the duration of the warranty period for reference should the product need to be returned for repair.

WARNING! Keep packaging materials out of reach of children. Dispose of packaging correctly and responsibly and in accordance with local regulations.

Please visit drapertools.com for our full range of accessories and consumables.



Fig. 1

Twisting the release valve anticlockwise opens the piston valve and lowers the piston (Fig. 1).



Fig. 2

Twisting the release valve clockwise closes the piston valve (Fig. 2).

7.1 Preparing the Jack

Prepare the jack correctly before each use:

1. Check the jack for bent, broken, cracked or loose parts, and oil leaks.

WARNING! Do not use the product if defects are present. If it is suspected that the jack has been subjected to abnormal loads or has suffered any knocks, withdraw it from service until the product has been repaired.

2. Bleed the jack piston:

- a. Assemble the handle by locating the pin on the narrow part in the L-shaped groove of the larger part and twisting to lock into place.
- b. Place the larger, notched end of the handle over the release valve.
- c. Carefully twist the release handle anticlockwise to open the release valve and allow the ram to drop.
Important: If the ram does not fully retract, use your foot to force it into its lowest position and drive any air from the piston.
- d. Place the large end of the handle into the handle socket.
- e. Pump the handle down and up at least 15 times to lubricate the piston and expel any accumulated air.
- f. Place the handle over the release valve and twist clockwise until strong resistance is met, closing the valve.

CAUTION! DO NOT overtighten the valve as this may damage the seal.

3. Test the jack:

- a. Pump the handle down and up to raise the lifting arm to its highest position.
- b. Observe the saddle to check that it does not drop.

4. If the piston begins to drop without intervention:

- a. Open the release valve anticlockwise and return the piston to its lowest position.
- b. Slightly loosen the piston chamber fill plug (5), to allow any air to escape the chamber. Escaping air will hiss as it leaves the chamber.
- c. Tighten the piston chamber fill plug.

5. Test the jack again by raising the piston and ensuring that it does not drop without intervention.

Repeat this process if necessary. If the issue is not resolved after several attempts, contact Draper Tools for assistance.

The jack is now ready for use.



Fig. 3

Pumping the handle down and up raises the ram if the release valve is closed. Twist the extension screw to raise and lower it, if present.

7.2 Raising a Load

1. Position the jack directly beneath the approved vehicle lifting point.
See the vehicle manufacturer information for the approved lifting points.
2. If fitted, turn the extension screw anticlockwise until contact is made with the vehicle.
3. Twist the release valve (9) clockwise until strong resistance is felt.
4. Insert the handle, pump the handle to lift vehicle to desired height.
Use the full stroke range to lift more quickly.
Important: If the jack drops under load, safely lower the load (see 7.3) and bleed the piston (see 7.1).
5. Immediately secure the raised vehicle with an appropriate axle stand, placing it as instructed in the manufacturer information.

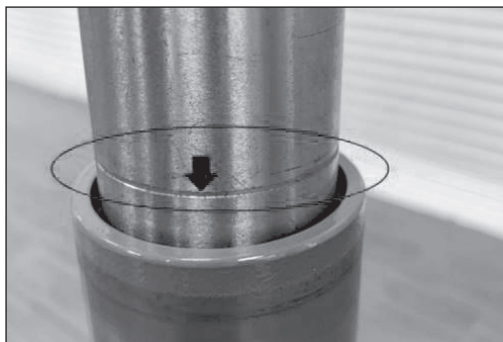


Fig. 4

Warning: For the high lift jacks, please observe the following:

1. Do not lift to full height without load.
2. Do not take lift above the safety collar marking on the inner ram.

7.3 Lowering a Load

WARNING! Always ensure that there are no persons or obstacles beneath the vehicle before lowering.

1. Gently pump the handle (1) to raise the vehicle slightly and allow the axle stand to be removed safely.
2. When the axle stand is clear, place the large end of the handle over the release valve and carefully twist anticlockwise to lower the load.
Important: The lowering speed is controlled by the release valve. Grip the handle firmly and open the valve slowly to maintain control of the load.
3. When the vehicle is fully lowered, remove the jack.
If the extension screw has been extended, turn it clockwise until it retracts enough to move jack away from vehicle).
4. Once clear of the vehicle, ensure that the extension screw and ram are fully retracted.

Important: Maintenance and repair of the jack must only be performed by qualified personnel with sufficient knowledge of the hydraulics systems used in these devices.

8.1 General Maintenance

- Keep the jack clean and regularly lubricate all moving parts.
 - Dust and debris may cause components to become clogged or jammed, and the product may not perform at its best.
- Protect the jack and its components from adverse environmental and weather conditions, both during use and when stored.
 - The components may rust if exposed to damp air for prolonged periods.
 - When the jack is not in use, make sure the ram is fully retracted to avoid corrosion.
- Use only spare parts supplied by Draper Tools.
- Before each use, check the jack for signs of damage or disrepair.

8.2 Checking and Replacing the Oil

To extend the working life of the product, keep the oil at an appropriate level and replace it after periods of prolonged intensive use.

CAUTION! Use AW 22 hydraulic oil. Never use brake or engine oil.

WARNING! Oil spillage may cause the operating surface to become slippery. Do not operate the jack on oily surfaces.

To check, drain and refill the oil capsule:

1. Place the jack on a level, horizontal surface.
2. Fully lower the ram and place the handle in its lowest position.
3. Remove the oil filler plug (5) and check the oil level.

Important: The correct oil level is 5mm below the Oil filler.

4. If the oil is dirty or needs replacing:
 - Drain any remaining contents into a container.
 - Refill the capsule with new oil as required, keeping the oil free of dirt.

CAUTION! Excessive quantities of oil may render the jack inoperable.

5. Replace the piston chamber fill plug and wipe away any excess oil.

Always drain the jack of oil before disposal. Dispose of oil according to local regulations.

8.3 Storing the Jack

When the jack is not in use:

- When the jack is not in use, make sure the ram and extension screw are fully retracted to avoid corrosion.
- Store the jack in a clean and dry location, out of reach of children.

8.4 Troubleshooting

Problem	Possible Cause	Remedy
The ram does not raise when the handle is pumped.	The valve is not fully closed.	Use the handle to twist the release valve clockwise until strong resistance is felt and bleed the piston if necessary.
	The maximum load has been exceeded.	Use an appropriately rated jack or reduce the weight of the load. DO NOT adjust the overload valve.
	The piston system is corroded.	DO NOT use the jack. Contact Draper Tools to discuss repair or replacement options.
The saddle drops once lifted.	The piston valve is not fully closed.	Use the handle to twist the release valve clockwise until strong resistance is felt and bleed the piston if necessary.
	The hydraulics mechanism is damaged.	DO NOT use the jack. Contact Draper Tools to discuss repair or replacement options.
The ram will not raise or drops under load even after bleeding the jack.	Dirt or other contaminants may be present in the mechanism.	Drain and replace the oil.
	Air may still be trapped in the mechanism.	Lower the saddle and close the release valve. Manually lift the saddle several inches, open the release valve and then force the saddle to lower as rapidly as possible.

9. Disposal

At the end of its working life, or when it can no longer be repaired, dispose of the product according to local regulations.

Contact your local authority for details of collection schemes in your area.

In all circumstances:

- **DO NOT** dispose of power tools with domestic waste
- **DO NOT** incinerate
- **DO NOT** abandon in the environment





Read the instruction manual



Use only on level surfaces



Apply the handbrake and put the vehicle in gear



Chock all grounded wheels



Support raised vehicles with axle stands



Do not work under vehicles when supported only by a jack



Bleed the jack before every use



Use AW 22 hydraulic oil



Warning!



Do not incinerate or throw onto fire



Do not abandon in the environment

Contact Details

Draper Tools

Draper Tools Limited
Hursley Road
Chandler's Ford
Eastleigh
Hampshire
SO53 1YF
UK

Website: drapertools.com

Email: sales@drapertools.com

Product Helpline: +44 (0) 23 8049 4344

Telephone Sales Desk: +44 (0) 23 8049 4333

General Enquiries: +44 (0) 23 8026 6355

General Fax: +44 (0) 23 8026 0784

Delta International

Delta International BV
Oude Graaf 8
6002 NL
Weert
Netherlands

Service / Warranty Repair Agents

For aftersales servicing or warranty repairs, please contact the Draper Tools Product Helpline for details of an agent in your area.