

**EN**

Original Instructions  
Version 1  
January 2024

**DRAPER**<sup>®</sup>

# 90L GRAVITY AND SUCTION **OIL DRAINERS**

**13246 ,13247. 13265**



These are the original product instructions. This document is part of the product; retain it for the life of the product, passing it on to subsequent holders. Read this manual in full before attempting to assemble, operate or maintain this product.

This Draper Tools manual describes the purpose of the product and contains all the necessary information to ensure its correct and safe use. Following all the instructions and guidance in this manual will ensure the safety of both the product and the operator and increase the lifespan of the product.

All photographs and drawings within this manual are supplied by Draper Tools to help illustrate correct operation of the product.

Every effort has been made to ensure the information contained in this manual is accurate. However, Draper Tools reserves the right to amend this document without prior warning. Always use the latest version of the product manual.

## 1.1 Product Reference

**User Manual for:** 90L Gravity and Suction Oil Drainers

**Stock No:** 13246, 13247, 13265

**Part No:** OD90L

## 1.2 Revisions

**Version 1:** January 2024

First release

As our manuals are continually updated, always ensure that the latest version is used.

Please visit [drapertools.com/manuals](http://drapertools.com/manuals) for the latest version of this manual and the associated parts list, if applicable.

## 1.3 Understanding the Safety Content of This Manual



**WARNING!** – Situations or actions that may result in personal injury or death.



**CAUTION!** – Situations or actions that may result in damage to the product or surroundings.

**Important:** – Information or instructions of particular importance.

## 1.4 Copyright © Notice

Copyright © Draper Tools Limited.

Permission is granted to reproduce this manual for personal and educational use **ONLY**. Commercial copying, redistribution, hiring or lending is strictly prohibited.

No part of this manual may be stored in a retrieval system or transmitted in any other form or means without written permission from Draper Tools Limited.

In all cases, this copyright notice must remain intact.

---

1. Preface	2
1.1 Product Reference	2
1.2 Revisions	2
1.3 Understanding the Safety Content of This Manual	2
1.4 Copyright © Notice	2
2. Contents	3
3. Product Introduction	4
3.1 Intended Use	4
3.2 Specification	4
4. Health and Safety Information	5
4.1 General Health and Safety	5
4.2 Residual Risk	5
5. Identification and Unpacking	6-7
5.1 Product Overview 13246	6
5.2 Product Overview 13247/13265	7
5.3 Packaging	7
6. Assembling Instructions	8
7. Operating Instructions	9-10
7.1 Gravity - Waste Oil Collection	9
7.2 Suction - Oil Waste Collection	9
7.3 Draining the Waste Oil Tank	10
8. Maintenance and Troubleshooting	11
8.1 General Maintenance	11
8.2 Troubleshooting	11
9. Spares, Returns and Disposal	12
10. Warranty	13

---

## 3.1 Intended Use

This product is designed to drain waste engine and gear oil by either gravity (13246) or suction (13247 and 13265). Model 13265 is also supplied with an Ocular measurement system to allow inspection of extracted oil.

Any other application beyond the conditions established for use will be considered misuse. Draper Tools accepts no responsibility for improper use of this product.

Read this manual in full before assembling, operating or maintaining the product, and retain it for later use.

## 3.2 Specification


Stock No.	13246	13247	13265
Part No.	OD90L	OD90L	OD90L
Oil Tank Capacity:	90L	90L	90L
Collection Drainer Capacity:	10L	10L	10L
Ocular Measuring Tank:	-	-	10L
Coupler Type:	1/4" BSP UK	1/4" BSP UK	1/4" BSP UK
Air Working Pressure:	1-3 Bars	8 - 10Bars	8 - 10Bars
Vacuum Pressure:	-	-	0 – 0.8Bars
Recommended Working Oil Temperature:	40 - 60°C	40 - 60°C	40 - 60°C
Max. Collection Height:	1740mm	1740mm	1740mm
Min. Collection Height:	1240mm	1340mm	1340mm
Oil suction flow rate (Suction probe diameter)	-	0.8L/min (Ø5x3.5mm)	0.8L/min (Ø5x3.5mm)
	-	1L/min (Ø6x4.5mm)	1L/min (Ø6x4.5mm)
	-	1.6 L/min (Ø8x6.5mm)	1.6 L/min (Ø8x6.5mm)
Weight (empty):	23kg	24kg	27kg
Product Dimensions:	430 X 490 X 1740mm	430 X 490 X 1740mm	430 X 490 X 1740mm

**Important:** Read all the Health and Safety instructions before operating, maintaining or repairing this product. Non-compliance with these instructions may result in injury or damage to the user or the product.


### 4.1 General Health and Safety Warnings

 **WARNING! Read all safety warnings, instructions, illustrations and specifications provided with this product. Failure to follow all instructions listed below may result in damage or injury to the user.**


- Ensure all Health and Safety, Local Authority and general workshop regulations are followed when using this equipment.
- Familiarise yourself with the process and all limitations of the oil drainers as well as any potential hazards.

 **WARNING! Ensure that the oil drainer is disconnected from the air supply before changing accessories, servicing or undertaking any maintenance.**


- **DO NOT** modify any parts and only use accessories and spare parts supplied by Draper Tools.
- Keep the work area clean and tidy and ensure that there is adequate lighting.
- For efficient and safe performance keep the oil drainer clean.
- Ensure the floor is not slippery and wear non-slip shoes in case of oil spillages.

 **WARNING! When extracting high temperature oils, ensure that hands, face and body are protected using suitable personal protective equipment (PPE).**


- **DO NOT** extract caustic or flammable liquids.

 **CAUTION! Never use the oil drainer near open flames or other heat sources.**

- **NEVER** fill the tank above the maximum level indicator on the gauge.
- Keep children and unauthorised personnel away from the work area.
- Only trained and competent personnel may operate this equipment.

 **WARNING! Ensure the correct air pressure is maintained and it does not exceed the maximum specified (Refer to section 3.2 specification).**

- Keep the air hose away from heat, oil or sharp edges. Check the air hose for signs of wear and tear before each use. Ensure that all connections are secure.
- Only use the oil drainer for its intended purpose.
- **DO NOT** operate if any parts are damaged or missing as this may cause failure and/or personal injury.
- **DO NOT** stand on the oil drainer.
- **DO NOT** adjust or tamper with the safety valve.
- **DO NOT** move the drainer by the hose or pull the hose from its air supply, always use the handle.
- **DO NOT** place attachments close to your face (especially eyes or ears). Do not point or direct the hose at person(s) or animals.
- **DO NOT** operate if you are tired or under the influence of alcohol, drugs or intoxicating medicine.
- **DO NOT** leave the oil drainer unattended when operating.

 **WARNING! DO NOT release the oil pan drainage valve if there is pressure in the tank as the drainage tube and pan will be propelled upwards with great force. This could result in damage to the equipment or risk serious injury.**

- Always use on a flat level surface capable of supporting the product and its maximum load.
- When not in use, disconnect from the air supply, vent the tank and store in a safe, dry and childproof place.
- Dispose of any waste oil in accordance with local authority regulations.
- **Important:** Always ensure the vehicle engine is switched off before draining oil or irreparable damage will occur to the engine.

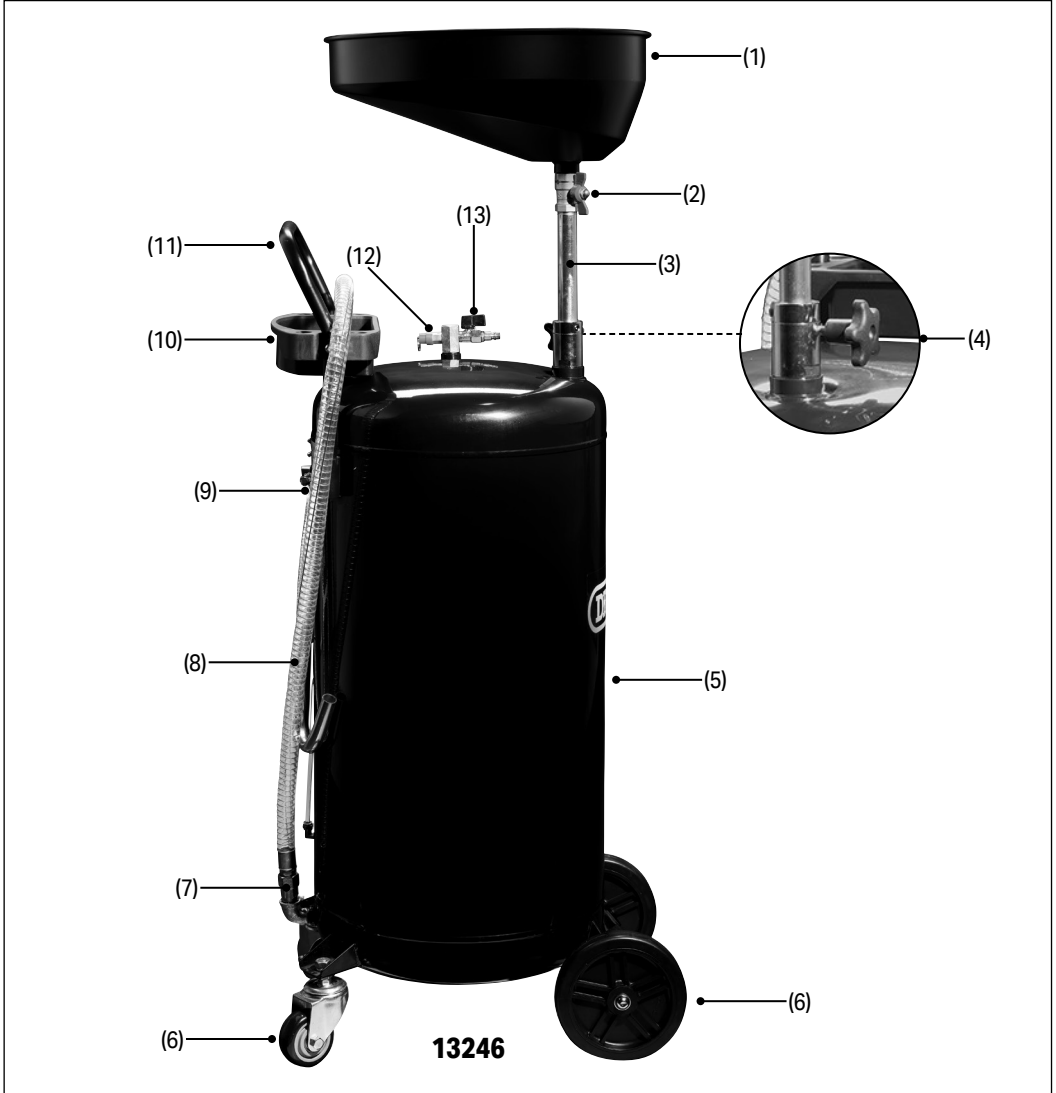
 **WARNING! DO NOT pollute the environment through uncontrolled discharge of any waste oil.**

### 4.2 Residual Risk

The safety instructions in this manual cannot account for all possible conditions and situations that may occur. Exercise common sense and caution when using this product and protect against any additional conceivable risks.

# 5. Identification and Unpacking

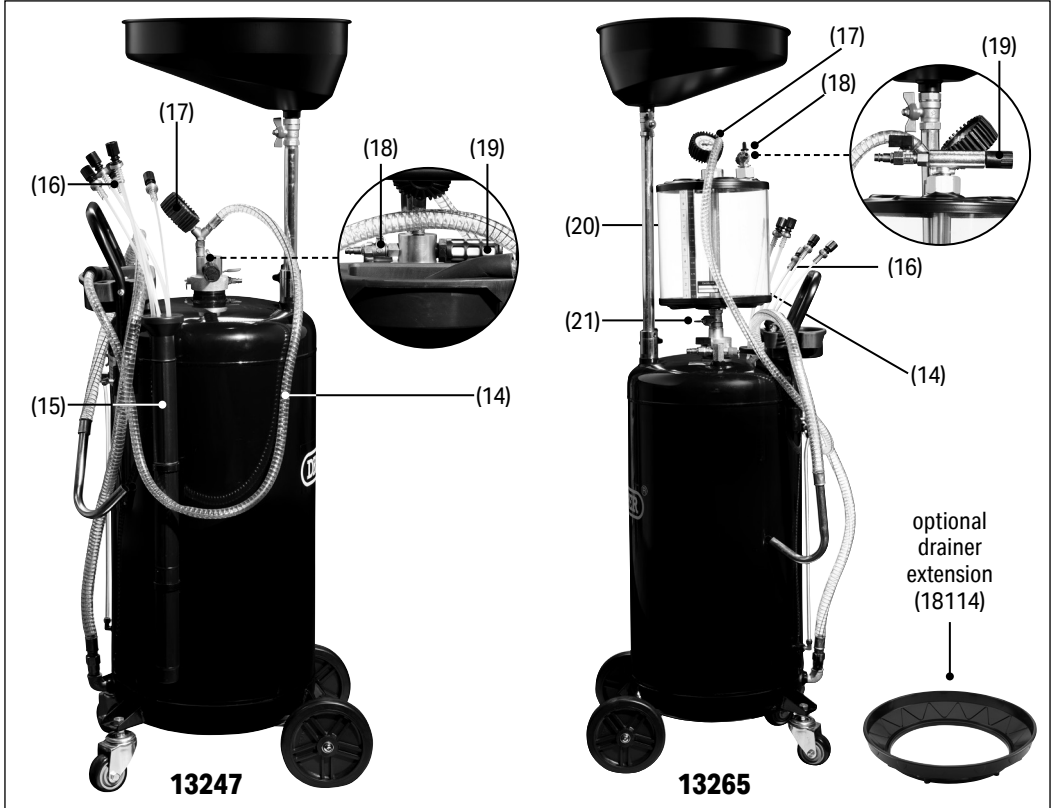
## 5.1 Product Overview (13246 shown)



- |                                    |                               |
|------------------------------------|-------------------------------|
| (1) Oil collecting pan             | (8) Tank drainage hose        |
| (2) Oil pan drainage valve         | (9) Tank level indicator tube |
| (3) Oil drainage steel tube        | (10) Parts tray               |
| (4) Oil drainage height adjustment | (11) Handle                   |
| (5) Oil waste tank                 | (12) Safety valve             |
| (6) Wheels/castors                 | (13) Air connector with valve |
| (7) Tank drainage hose valve       |                               |

# 5. Identification and Unpacking

## 5.2 Product Overview 13247 & 13265



- (14) Suction hose with valve
- (15) Suction probe holder
- (16) 3 X Suction probes
  - 1 X Ø5 x 3.5mm
  - 1 X Ø6 x 4.5mm
  - 1 X Ø8 x 6.5mm
- (17) Air pressure gauge

- (18) Suction air inlet with valve
- (19) Air filter

### 13265

- (20) Ocular measuring tank
- (21) Ocular tank valve
- Oil drainer extension  
(optional attachment Stock No: 18114)

## 5.3 Packaging

Keep the product packaging for the duration of the warranty period for reference should the product need to be returned for repair.

**WARNING! Keep packaging materials out of reach of children. Dispose of packaging correctly and responsibly and in accordance with local regulations.**

Please visit [drapertools.com](http://drapertools.com) for our full range of accessories and consumables.

### 6.1 13265 only - Ocular Measuring tank (20)

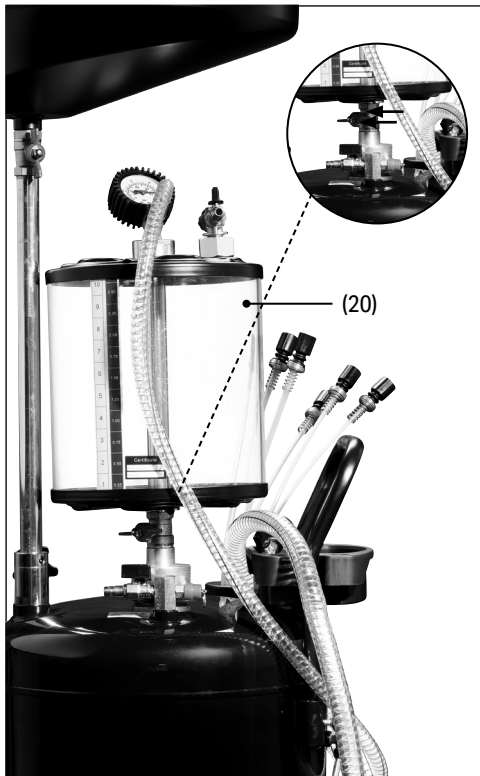


Fig. 1

The Ocular Measuring tank is supplied in a separate box. The tanks must be fitted to the top of the oil waste tank before the oil drainer can be used.

Align the Ocular tank (20) with the top of the waste tank and turn clockwise until securely locked in place.



**Important:** Before preparing or adjusting this product, read and understand all the safety instructions listed in this manual.

**Important:** Always ensure the vehicle engine is switched off before draining oil or irreparable damage will occur to the engine.

**13265 only** - the ocular measuring tank (20) must be fitted before the oil drainer can be used (refer to section 6. Assembling Instructions).

## 7.1 Collecting Waste Oil by Gravity (Available on all 3 models)

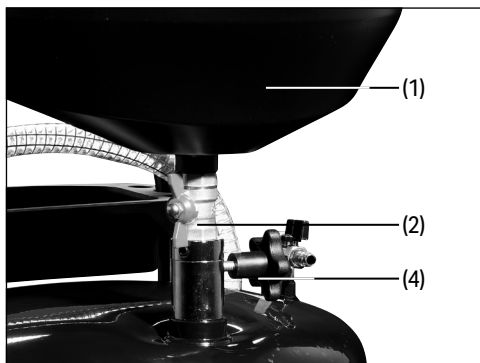


Fig. 2

1. Open the oil pan drainage valve (2).
2. Raise the vehicle with a vehicle lift.
3. Push the oil drainer underneath the vehicle ensuring that the oil pan (1) is directly beneath the oil drain plug. Adjust the height of the oil pan (1) as required using the height adjustment (4).
4. Then unscrew the vehicle's oil drainage plug.

**⚠ WARNING! Ensure that the oil pan is positioned correctly and that all the valves are closed before opening the vehicle's oil drainage plug.**

- **DO NOT** smoke or have any source of ignition near the oil drainer.
- Keep an eye on the oil level in the tank during operation. **DO NOT** fill above the maximum level on the tank indicator tube.

## 7.2 Collecting Waste Oil by Suction (13247 & 13265)

**Refer to illustrations under section 5.2 Product Overview).**

1. Connect a pressurised air supply to the suction air inlet (18) and open the valve.
2. Check the air pressure gauge (17) and allow the pressure drop down to -0.5bars. Then close the air inlet valve and shut off the compressed air. The oil drainer is depressurised and ready to use.
3. With the vehicle's engine still warm, remove the vehicle's oil dipstick. Then select the most suitable suction probe (16) and insert into the engine as far as possible.
4. Connect the suction hose (14) to the probe.
5. Open the valve on the suction hose (14), to extract the oil.
6. Once the oil is completely drained from then engine, close the valve on the suction hose.

- **Stock No: 13265 Ocular Measuring Tank**

- The Ocular measuring tank (20) allows inspection of the oil as it is extracted.
- When using to inspect the oil ensure that the valve (21) underneath the Ocular tank is closed.
- After extracting the oil, close the suction hose valve (14) and open the ocular tank valve (21) to allow the drainage oil to flow into the waste tank.

## 7.3 Draining the Waste Oil Tank

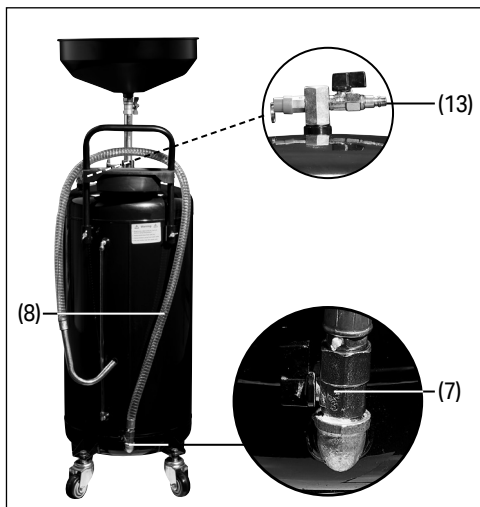


Fig. 3

- The clear oil level indicator (9) on the side of the tank will show the level of waste oil collected. Empty when at the maximum level.

**⚠ WARNING! Ensure the oil pan and suction hose valves are closed before draining.**

- **Stock No: 13265** – close the Ocular tank valve (20) between the Ocular tank and oil waste tank before draining the oil.
1. Put the end of the tank drainage hose (8) into a suitable waste oil container.
  2. Connect an air supply to the air inlet connector (13) and open the air valve.
  3. Then open the tank drainage hose valve (7).
  4. After all the oil has been transferred from the tank to the waste container, close the hose drainage valve (7) and disconnect the air supply.

**⚠ WARNING! Clean up any spillages immediately and wash your hand afterwards.**

## 8.1 General Maintenance

- When not in use, disconnect from the air supply, vent the tank and store in a safe, dry and childproof place.
- Check the suction air hoses for signs of wear and tear before each use. Ensure that all connections are secure.
- 13247 & 13265 - Regularly unscrew and clean the air filter (19).
- To prevent corrosion do not store waste oil in the tank for long periods.
- Wipe the surface areas of the oil drainer regularly to keep it clean.
- When not in use store in a cool, dark place and out of direct sunlight.

## 8.2 Troubleshooting

Problem	Possible Cause	Remedy
Pressure not dropping on air pressure gauge	Valve left open.	Close valve correctly.
	Incorrect air pressure value.	Check section 3.2 Specification For correct pressure required.
Oil not pumping even with correct pressure	Poor seal between air supply and suction hose.	Check engine is still warm.
	Suction hose valve closed.	Open the valve.
	Suction hose blocked or touching bottom of the tank.	Clean hose or reposition in tank.

## 9. Spares, Returns and Disposal

For spare parts, servicing, and repair and replacement options, please contact the Draper Tools Product Helpline for details of your nearest authorised agent.

Draper Tools will endeavour to hold any spare parts, if applicable, for seven years from the date that it sells the final matching stock item.

Any servicing or repairs carried out by unauthorised personnel or installation of spare parts not supplied by Draper Tools will invalidate your warranty.

**Important:** For safety, **ALWAYS** drain and clean the product of any oil, fuel, chemicals or other substances before returning it to Draper Tools or its authorised agent. Store these materials in suitable containers and dispose of them in accordance with local regulations. Draper Tools and its agents cannot be responsible for the disposal of these substances.

At the end of its working life, dispose of the product responsibly and in line with local regulations. Recycle where possible.

- **DO NOT** dispose of this product with domestic waste; most local authorities provide appropriate recycling facilities.
- Dispose of oil separately and in accordance with local regulations; **DO NOT** abandon it in the environment.



This warranty covers parts and labour for the lifetime of the product. However, if the tools are hired out, the warranty period is 90 days from the date of purchase.

Draper Tools products are carefully tested and inspected before shipment and are guaranteed to be free from defective materials and workmanship.

Should the tool develop a fault, return the complete tool to your nearest distributor or contact Draper Tools directly. Contact information can be found at the back of this manual.

Proof of purchase must be provided.

This warranty does not apply to any consumable parts, batteries or normal wear and tear, nor does it cover any damage caused by misuse, careless or unsafe handling, alterations, accidents, or repairs attempted or made by any personnel other than the authorised Draper Tools repair agent.

In all cases, to make a claim for faulty workmanship or materials within the standard warranty period, please contact or return the product to the place of purchase. Proof of purchase may be required.

If the place of purchase is no longer trading or if you experience any difficulties with your warranty, please contact Customer Services with the product details and your proof of purchase. Contact details can be found at the back of this manual.

If the tool is not covered by the terms of this warranty, repairs and carriage charges will be quoted and charged accordingly.

This warranty supersedes any other guarantees expressed or implied and variations of its terms are not authorised.

Your Draper Tools guarantee is not effective until you can produce, upon request, a dated receipt or invoice to verify your purchase within the guarantee period.

Please note that this warranty is an additional benefit and does not affect your statutory rights.

### **Draper Tools Limited**





## Contact Details

### **Draper Tools**

Draper Tools Limited  
Hursley Road  
Chandler's Ford  
Eastleigh  
Hampshire  
SO53 1YF  
UK

**Website:** [drapertools.com](http://drapertools.com)

**Email:** [sales@drapertools.com](mailto:sales@drapertools.com)

**Product Helpline:** +44 (0) 23 8049 4344

**Telephone Sales Desk:** +44 (0) 23 8049 4333

**General Enquiries:** +44 (0) 23 8026 6355

**General Fax:** +44 (0) 23 8026 0784

### **Delta International**

Delta International BV  
Oude Graaf 8  
6002 NL  
Weert  
Netherlands

Please contact the Draper Tools Product Helpline for repair and servicing enquiries.