

EN

Original Instructions
Version 1

DRAPER[®]

WET & DRY
**VACUUM
CLEANER**

13785



**UK
CA** **CE**

1. Preface

These are the original product instructions. This document is part of the product; retain it for the life of the product, passing it on to subsequent holders. Read this manual in full before attempting to assemble, operate, or maintain this product.

This Draper Tools manual describes the purpose of the product and contains all the necessary information to ensure its correct and safe use. Following all the instructions and guidance in this manual will ensure the safety of both the product and the operator and increase the lifespan of the product.

All photographs and drawings within this manual are supplied by Draper Tools to help illustrate correct operation of the product.

Every effort has been made to ensure the information contained in this manual is accurate. However, Draper Tools reserves the right to amend this document without prior warning. Always use the latest version of the product manual.

1.1 Product Reference

User Manual for: Wet & Dry Vacuum Cleaner

Stock No: 13785

Part No: WDV20ASS

1.2 Revisions

Version 1: May 2024

First release

As our manuals are continually updated, always ensure that the latest version is used.

Download the latest version from:

drapertools.com/manuals

1.3 Understanding the Safety Content of This Manual



WARNING! – Situations or actions that may result in personal injury or death.



CAUTION! – Situations or actions that may result in damage to the product or surroundings.

Important: – Information or instructions of particular importance.

1.4 Copyright © Notice

Copyright © Draper Tools Limited.

Permission is granted to reproduce this manual for personal and educational use **ONLY**. Commercial copying, redistribution, hiring or lending is strictly prohibited.

No part of this manual may be stored in a retrieval system or transmitted in any other form or means without written permission from Draper Tools Limited.

In all cases, this copyright notice must remain intact.

1. Preface	2
1.1 Product Reference	2
1.2 Revisions	2
1.3 Understanding the Safety Content of This Manual	2
1.4 Copyright © Notice	2
2. Contents	3
3. Product Introduction	4
3.1 Intended Use	4
3.2 Specification	4
4. Explanation of Symbols	5
5. Health and Safety Information	6
5.1 General Health and Safety Precautions	6
5.2 Additional Health & Safety For Vacuum Cleaners	6
5.3 Connection to the Power Supply	6
5.4 Residual Risk	7
6. Identification and Unpacking	8
6.1 Product Overview	8
6.2 Packaging	9
7. Assembly Instructions	10
7.1 Fitting the Castors	10
8. Setting Up the Vacuum Cleaner	10 – 11
9. Operation	12
9.1 Wet Vacuuming	12
9.2 Crevice Tool/High Water Level	12
9.3 Blower Function	12
10. Maintenance and Troubleshooting	13
10.1 Troubleshooting	13
11. Spares, Returns and Disposal	14
12. Warranty	15

3. Product Introduction

3.1 Intended Use

This vacuum cleaner is designed to pick up wet and dry materials with a 20L tank capacity and blower function. Ideally suited for use in the workshop, garage or DIY work around the home and garden.

Any other application beyond the conditions established for use will be considered misuse. Draper Tools accepts no responsibility for improper use of this product.

Read this manual in full before attempting to assemble, operate or maintain the product, and retain it for later use.

3.2 Specification

Stock No.:	13785
Part No.:	WDV20ASS
Rated Voltage:	230V/50Hz
Rated Input:	1250W
Vacuum Pressure:	13kpa (130mbar)
Max. Air Flow:	30 L/sec
Tank Capacities:	
Wet Pickup	12L
Dry Pickup	20L
Protection Rating	IP24
Noise Emissions:	
Sound Power Level:	92dB (A)
Power Cord Length	5m
Net Weight (excluding accessories):	4.75kg

4. Explanation of Symbols



Read the instruction manual



Mandatory action required



Warning!



Rated voltage



Rated input



Kilopascal rating



Suction rating



Tank capacity (wet)



Tank capacity (dry)



Power supply cable length



Water ingress protection rating



Continuous A-weighted sound power level



Class II construction
(Double insulated)



Net product weight



WEEE-

Waste Electrical & Electronic Equipment

Do not dispose of Waste Electrical & Electronic Equipment
in with domestic rubbish



European conformity



UK Conformity Assessed

5. Health and Safety Information

Important: Read all the Health and Safety instructions before attempting to operate, maintain or repair this product. Failure to follow these instructions may result in injury or damage to the user or the product.

5.1 General Health and Safety Precautions



WARNING! To reduce the risk of electric shock or injury:

- **DO NOT** leave the appliance unattended when plugged in or switched on.
- **ALWAYS** switch off and unplug from the power supply when not in use, changing accessories or performing any maintenance.
- **DO NOT** use this appliance near flammable liquids, gases or explosive vapours or dust. Sparks inside the motor can ignite flammable vapours or dust.
- **DANGER! DO NOT** vacuum hot or glowing ash, cigarette ends, matches or anything that is burning.
- Keep the cord away from hot surfaces and sharp edges.
- For indoor use only **DO NOT** expose to rain or very damp conditions. Store indoors.
- **DO NOT** pull or carry the appliance by the power cord.
- **DO NOT** pull the plug from the socket by the cord. To unplug grasp the plug, not the cord.
- **DO NOT** use with a damaged or worn cord, plug or any other parts.
- If the appliance is not working, has been damaged, left outside or dropped in water, get it checked and repaired by a qualified person.
- **DO NOT** run the appliance over the cord.
- **DO NOT** touch the cord or appliance with wet hands.
- This appliance can be used by children aged from 8 years and above and persons with reduced physical, sensory or mental capabilities or lack of experience and knowledge if they have been given supervision or instruction concerning use of the appliance in a safe way and understand the hazards involved. Children shall not play with the appliance. Cleaning and user maintenance shall not be made by children without supervision.

5.2 Additional Health & Safety For Vacuum Cleaners

- **DO NOT** modify the appliance and only use for its intended use.
- Wear protective clothing and gloves.
- **DO NOT** allow untrained persons to operate the cleaner.
- To reduce the risk of health hazards from vapours and dust, **DO NOT** vacuum toxic materials.
- **DO NOT** use or store near hazardous materials.
- **DO NOT** use with a damaged filter or without a filter installed.
- **DO NOT** place any objects into the ventilation openings and **DO NOT** use if the ventilation openings are blocked.
- The hose should be checked regularly and must not be used if damaged.
- Unplug before connecting the hose.
- To reduce the risk of falls, take extra care when cleaning stairs.
- Keep hair, loose clothing and fingers away from openings and moving parts.
- Only use and replace with recommended parts and attachments.
- When using as a blower:
 - **DO NOT** point or direct the air hose at bystanders or animals.
 - Wear eye protection and a dust mask.
 - Keep children and bystanders away from the work area.

5.3 Connection to the Power Supply

This appliance is supplied with an approved plug and cord for your safety.

If the power supply cord is damaged, it must be replaced by Draper Tools, an authorised service agent or similarly qualified personnel in order to avoid a hazard.

The damaged or incomplete plug, when cut from the cord, shall be disabled to prevent connection to a live electrical outlet.

This appliance is a Class II* and is designed for connection to a power supply matching that detailed on the rating label and compatible with the plug fitted.

The value of the fuse fitted is marked on the pin face of the plug. Should the fuse need replacing, use a small plain-slot screwdriver to remove the fuse cover. Ensure the substitute is of the correct rating, approved to BS 1363/A and ASTA or BS Kite marked. This should only be performed by suitably qualified personnel.


ASTA 

BSI 

If an extension lead is required, use an approved and compatible lead rated for this appliance.

Follow all the instructions supplied with the extension lead.

Important: Always follow the extension lead instructions regarding maximum load while the cable is wound. It is recommended that the power cord and/or the extension lead are fully unwound before connecting to a power supply. A coiled extension lead generates heat which could melt the lead and cause a fire. Check that the extension lead is rated for outdoor use.

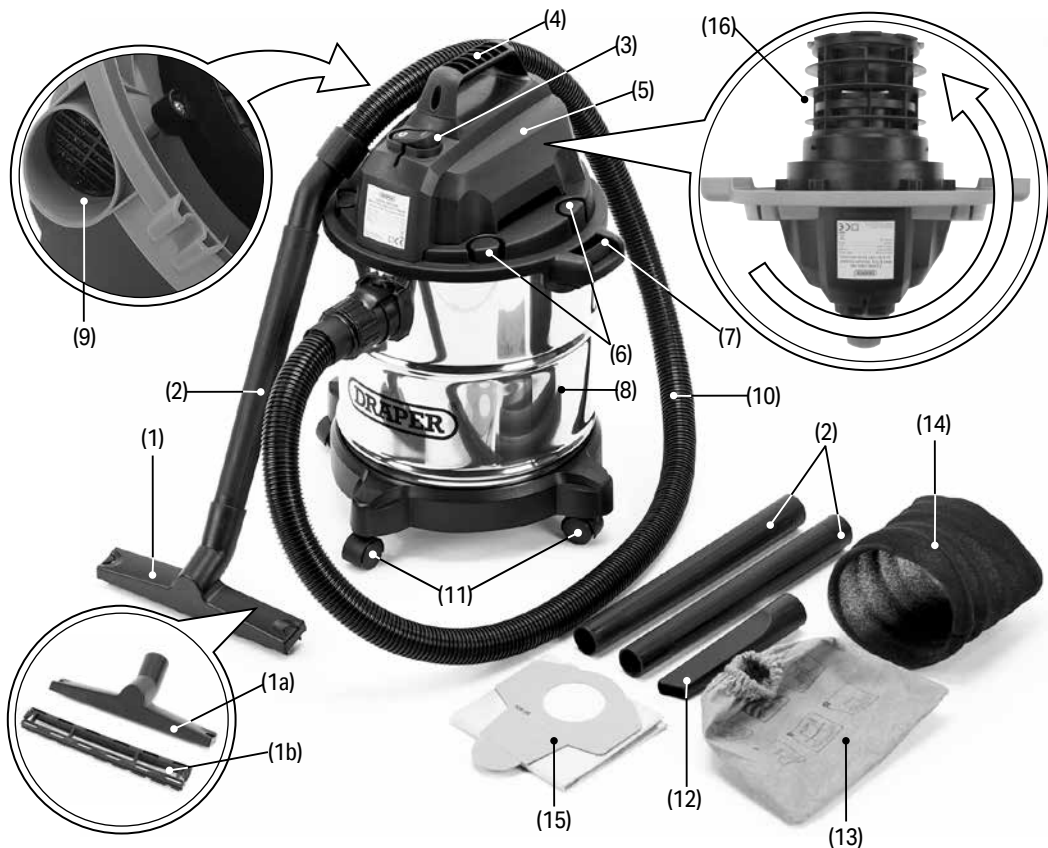
*Double insulated : This product is double insulated and does not require an earth connection to protect against electric shock from accessible conductive parts in the event of failure of the basic insulation.

5.4 Residual Risk

The safety instructions in this manual cannot account for all possible conditions and situations that may occur. Exercise common sense and caution when using this product and protect against any additional conceivable risks.

6. Identification and Unpacking

6.1 Product Overview



- (1) Double function floor brush
 - (1a) Main brush nozzle
 - (1b) Squeegee attachment.
- (2) Extension tube × 3.
- (3) ON/OFF switch.
- (4) Carrying handle.
- (5) Motor housing.
- (6) Accessory holders.
- (7) Retaining clips × 2.
- (8) Tank.

- (9) Blower port.
- (10) Suction hose.
- (11) Castors × 4.
- (12) Crevice tool.
- (13) Cloth filter.
- (14) Foam filter.
- (15) Dustbag.
- (16) Filter cage (on underside of motor).

Please visit drapertools.com for our full range of accessories and consumables.

6.2 Packaging

Carefully remove the product from the packaging and examine it for any signs of damage that may have occurred during shipment.

Before assembling the product, lay the contents out and check them against the parts shown below. If any part is damaged or missing, do not attempt to use the product. Please contact the Draper Helpline; contact details can be found at the back of this manual.

Keep the product packaging for the duration of the warranty period in case the product needs to be returned for repair.

 **WARNING! Keep packaging materials out of reach of children. Dispose of packaging correctly and responsibly and in accordance with local regulations.**

7. Assembly Instructions

Important: Before preparing or adjusting this product, read and understand all the safety instructions listed in this manual.

7.1 Fitting the Castors

Important: Check that the vacuum cleaner is unplugged from the power supply before assembling.

Press the castors (11) into the base of the tank.



Fig. 1

8. Setting Up the Vacuum Cleaner

1. Unlatch the retainer clips (7) and remove the motor housing (5) from the tank (8).

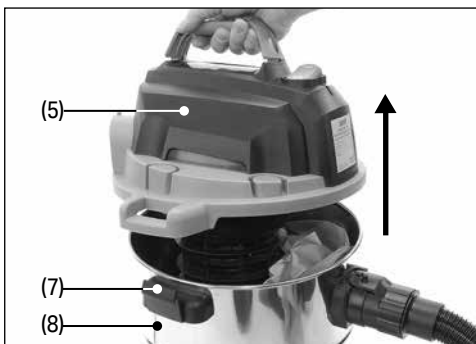


Fig. 2

2. Attach either the foam filter (14) for wet cleaning or cloth filter (13) for dry cleaning to the filter cage (16) – ensuring it fully covers the filter cage.

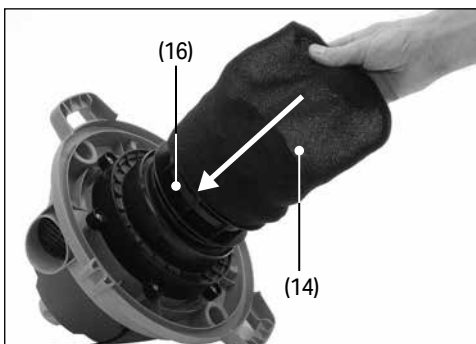


Fig. 3

- For maximum performance change and clean the filter regularly.

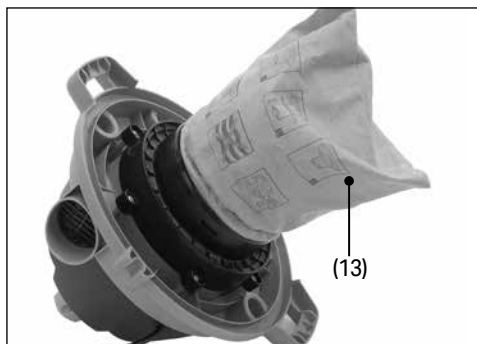


Fig. 4

3. Optional – when using the cloth filter a paper dustbag (15) can also be fitted to the inside of the tank hose connector.

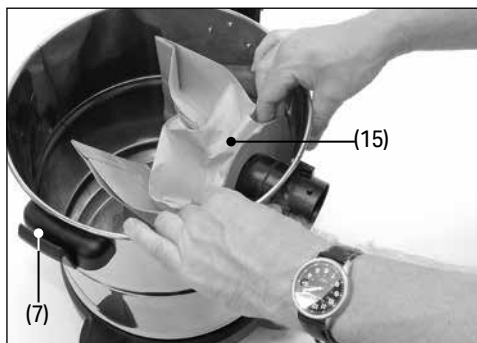


Fig. 5

8. Setting Up the Vacuum Cleaner

- Note: Replace the dustbag when the suction power decreases.
4. Refit the motor housing and secure with the two retaining clips (7).
 5. Connect the flexible suction hose (10) by pushing into the connector on the tank and turn clockwise to lock in place.

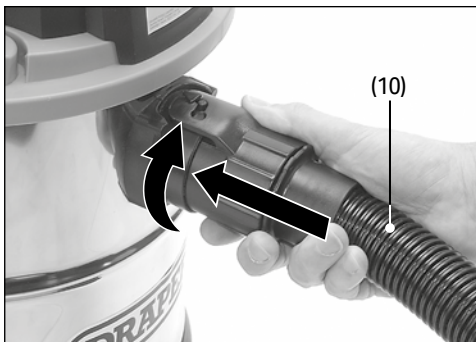


Fig. 6

- To remove the hose, turn anticlockwise and pull out.
6. Fit the required attachments to the end of the flexible hose.

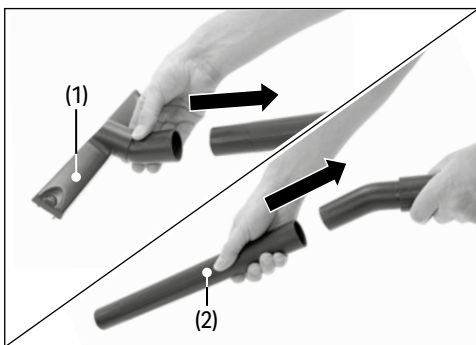


Fig. 7

- The brush & squeegee attachment (1b) can be fitted to the main brush nozzle (1a) and used for both and wet dry cleaning. Suitable for use on hard floor, parquet, cork, vinyl or ceramic.

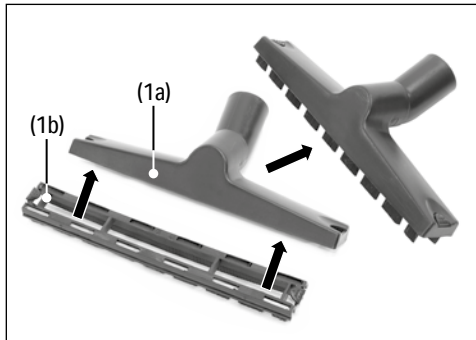


Fig. 8

- Remove the squeegee attachment (1b) when vacuuming larger pieces of debris such as wood chipping. To remove, push the clips in on both sides.

9. Operation

1. Set up the vacuum cleaner as detailed in **Section 8. Setting up the Vacuum cleaner.**
2. Plug in and switch the vacuum cleaner on by pushing the ON/OFF switch (3) to 'I' position.

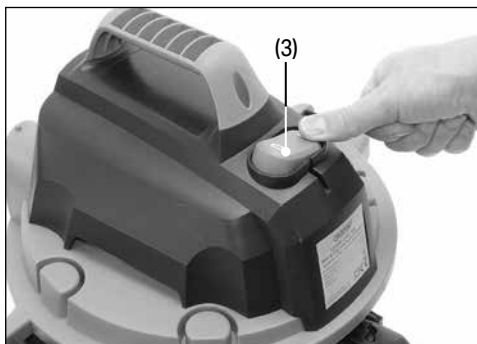


Fig. 9

9.1 Wet Vacuuming

1. If the vacuum cleaner has been used for dry vacuuming, empty the tank and dispose of any collected dirt or dust.
2. Remove the cloth filter and paper dustbag if fitted.
3. Fit the foam filter (14) by sliding the foam sleeve down over the filter cage (16).

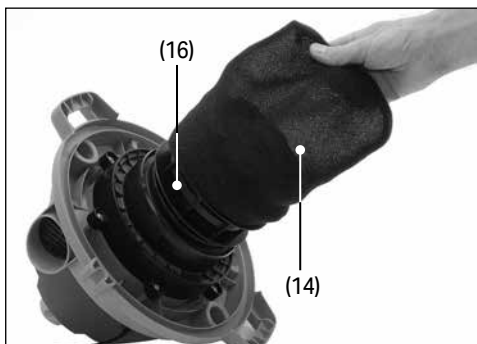


Fig. 10

- The foam filter is only suitable for wet vacuuming. Never use for dry cleaning as this will result in poor performance and may damage the motor.

9.2 Crevice Tool/High Water Level

- The Crevice tool (12) should be used when the water level is too high for the normal brush head. To ensure adequate air flow, the end of the nozzle should not be totally immersed.

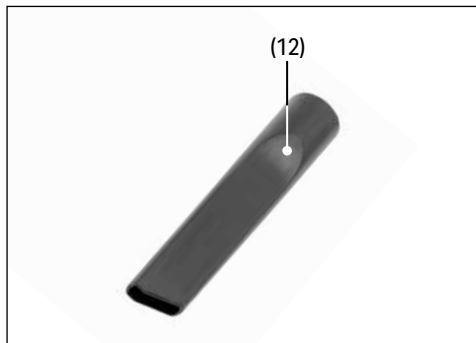


Fig. 11

- When the liquid has reached the maximum level in the tank, the float regulator will cover the motor filter causing the motor to work harder and become noisier. Turn off and empty the tank.

9.3 Blower Function

1. Ensure the vacuum cleaner is switched off and unplugged.
2. Check that the collection tank is empty before using the blower.
3. Fit the end of the hose to the blowing port (9) and turn clockwise to lock into position.

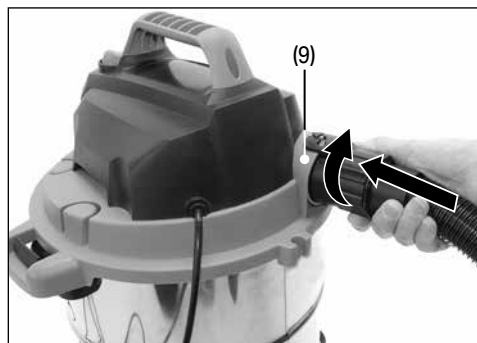


Fig. 12

4. Fit the required extension tubes or tool.
5. Turn on by pushing the power switch (3) to the 'I' ON position.

Important: Always unplug from the power supply before carrying out any cleaning, adjustments, servicing or maintenance.

- Clean and maintain the vacuum correctly and regularly to ensure optimum performance.
- Wet Vacuuming - To prevent the risk of mildew, empty the tank and clean both inside and outside. Remove the foam filter and allow to dry before storage.
- **DO NOT** use abrasives or solvents to clean this product.

- The motor must be correctly ventilated during operation, so avoid blocking the air inlets.
- If the plug or power supply cord is damaged it must, for safety reason be replaced by Draper tools, an authorised repairer or similarly qualified person in order to avoid a hazard.
- When not in use, store in a safe, dry and childproof location.

10.1 Troubleshooting

Problem	Possible Cause	Remedy
Vacuum not operating.	No power supply.	Check unit plugged in and power supply is working correctly.
	Faulty power cord.	Unplug and examine power cord. If damaged, contact the Draper Tools helpline for assistance.
	Switch not in the on 'I' position.	Move the switch to the 'I' position on the motor head.
	Collection tank full.	Empty collection tank.
Dust coming from motor cover.	Dust filter is missing or damaged.	Fit or replace dust filter.
Reduced efficiency and motor/speed vibration.	Blockage in tool, hose or tank collection inlet.	Unplug vacuum and check for blockage and clear.
	Dust filter blocked by fine dust.	Clean or replace filter.

11. Spares, Returns and Disposal

For spare parts, servicing, and repair and replacement options, please contact the Draper Tools Product Helpline for details of your nearest authorised agent.

Draper Tools will endeavour to hold any spare parts, if applicable, for seven years from the date that it sells the final matching stock item.

Any servicing or repairs carried out by unauthorised personnel or installation of spare parts not supplied by Draper Tools will invalidate your warranty.

At the end of its working life, dispose of the product responsibly and in line with local regulations. Recycle where possible.

DO NOT dispose of this product with domestic waste; most local authorities provide appropriate recycling facilities.



Draper Tools products are carefully tested and inspected before shipment and are guaranteed to be free from defective materials and workmanship.

Should the tool develop a fault, return the complete tool to your nearest distributor or contact Draper Tools directly. Contact information can be found at the back of this manual.

Proof of purchase must be provided.

If, upon inspection, it is found that the fault occurring is due to defective materials or workmanship, repairs will be carried out free of charge. This warranty period covers parts and labour for 12 months from the date of purchase. Where tools have been hired out, the warranty period covers 90 days from the date of purchase.

This warranty does not apply to any consumable parts, batteries or normal wear and tear, nor does it cover any damage caused by misuse, careless or unsafe handling, alterations, accidents, or repairs attempted or made by any personnel other than the authorised Draper Tools repair agent.

In all cases, to make a claim for faulty workmanship or materials within the standard warranty period, please contact or return the product to the place of purchase. Proof of purchase may be required.

If the place of purchase is no longer trading or if you experience any difficulties with your warranty, please contact Customer Services with the product details and your proof of purchase. Contact details can be found at the back of this manual.

If the tool is not covered by the terms of this warranty, repairs and carriage charges will be quoted and charged accordingly.

This warranty supersedes any other guarantees expressed or implied and variations of its terms are not authorised.

Your Draper Tools guarantee is not effective until you can produce, upon request, a dated receipt or invoice to verify your purchase within the guarantee period.

Please note that this warranty is an additional benefit and does not affect your statutory rights.

Draper Tools Limited

Contact Details

Draper Tools

Draper Tools Limited
Hursley Road
Chandler's Ford
Eastleigh
Hampshire
SO53 1YF
UK

Website: drapertools.com

Email: sales@drapertools.com

Product Helpline: +44 (0) 23 8049 4344

Telephone Sales Desk: +44 (0) 23 8049 4333

General Enquiries: +44 (0) 23 8026 6355

Delta International

Delta International BV
Oude Graaf 8
6002 NL
Weert
Netherlands

Please contact the Draper Tools Product Helpline for repair and servicing enquiries.