

EN

Original Instructions
Version 1
January 2024

DRAPER[®]

1.5 & 2.5 TONNE ALUMINIUM & STEEL **TROLLEY JACKS**

13624 & 13929



**UK
CA** **CE**

1. INTRODUCTION

1.1 Intended Use

This is a low profile, lightweight, aluminium jack for lifting vehicles up to the specified weight.

It should always be used in conjunction with a pair of axle stands.

Any other application beyond the conditions established for use will be considered misuse. Draper Tools accepts no responsibility for improper use of this product.

1.2 Understanding the Safety Content of This Manual

 **WARNING!** – Situations or actions that may result in personal injury or death.

 **CAUTION!** – Situations or actions that may result in damage to the product or surroundings.

Important: – Information or instructions of particular importance.

Explanation of Symbols



Read the instruction manual



WARNING!



Never work under vehicle using jack only.



The jack should be operated on a hard and level surface



Transmission should be in gear or 'park' (for automatic transmissions).
Apply handbrake.



Ensure the vehicle or element to be lifted against any type of sliding. Use chocks if appropriate.



Secure the lifted load as an essential safety measure with appropriate axle stands.



Minimum height

88mm

100mm



Product length

554mm

659mm



97.5mm



110mm

Saddle diameter



14.3 kg
Nett



25.9 kg
Nett

Machine weight

2. SPECIFICATION

Stock No.	13624	13929
Part No.	TJ125AS	TJ250AS
Rated Load	1,500 kg	2,500kg
Lifting range	88 - 358mm	100 - 465mm

3. HEALTH AND SAFETY INFORMATION

Important: Read all Health and Safety instructions before attempting to operate, maintain or repair this product. Non-compliance with these instructions may result in injury or damage to the user, the product or the vehicle to be lifted. Retain for later use.

- **Important:** Always wear appropriate safety footwear when using this jack.
- This is a lifting device only. Always use axle stands.
- **DO NOT** exceed the rated capacity of the jack.
- Always use on a flat hard firm surface.
- Always support the load with the centre part of the saddle.
- **NEVER** adjust the safety valve.

3.1 Positioning the Jack - Figs 1 - 2

Vehicle should be clear of all passengers. Transmission should be in gear (or 'Park' for automatic transmissions) and the handbrake applied.

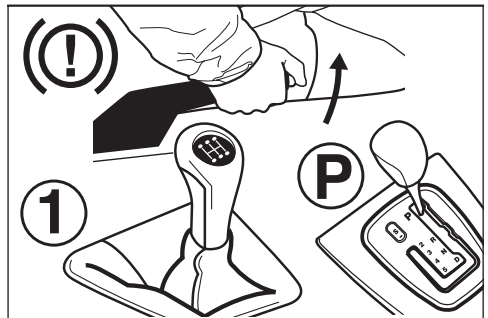


Fig. 1

To prevent the vehicle from moving, wheels should be securely blocked with wheel chocks.

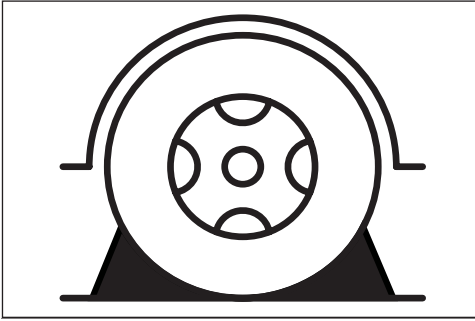


Fig. 2

The jack should be positioned under the approved lifting points for the vehicle. The lifting points will vary between vehicle, so it is important to refer to the vehicle manufacturer's or Haynes workshop manuals.

3.2 Terrain - Fig 3

The jack should be operated on a hard and level surface as the location will permit, concrete is preferred.

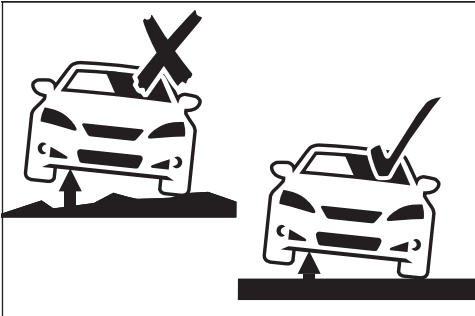


Fig. 3

3.3 Rated Capacity

Never work under a vehicle without axle stands correctly supporting the vehicle weight.

3.4 Working Under the Vehicle - Fig 4

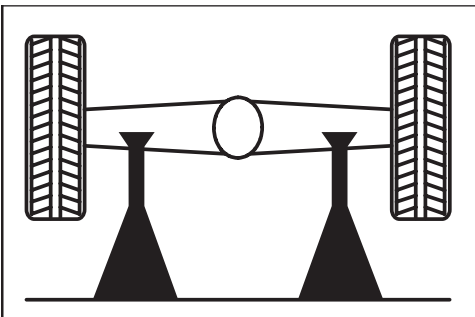


Fig. 4

- When working under the vehicle always use axle stands.
1. The vehicle to be lifted should never exceed the rated capacity of the jack.
 2. The maximum lifting height of the jack stated in the specification should never be exceeded.
 3. The jack should be supported on a solid, level and horizontal surface which is well illuminated and free of obstructions.
 4. Ensure that no one is inside the car and the vehicle to be lifted cannot slide. Switch off the engine and apply the brake. Do not enter the vehicle or start the engine whilst it is supported on the jack or appropriate stands.
- **The jack is a lifting device only and should never be used to move the vehicle.**
5. Position the jack under the manufacturer's recommended lifting point and ensure that it is not corroded, dirty or greasy. This point should remain centred over the jack saddle. All off-centred loads can slip and accidents may result.
 6. When raising and lowering check that the vehicle load cannot move. Traffic may cause the raised vehicle to rock during roadside use of the jack.
 7. The jack should be positioned so as to avoid the need for the user to introduce any part of their body underneath the vehicle. Never work under a raised vehicle without supporting it with axle stands or other appropriate methods. Never position any part of your body near the movable elements of the jack.
 8. Always observe the lifting device and load during operation. In the presence of dangerous conditions, such as movement of the vehicle, etc, the lifting process must be stopped.
 9. Ensure that there are no persons or obstructions underneath the vehicle prior to lowering.
 10. As an additional safety measure against overload, the jack is fitted with an overload valve set at the factory and which should not be adjusted under any circumstances. If the capacity of the jack is exceeded, the overload valve will stop the lifting operation.

4. UNPACKING AND CHECKING

4.1 Packaging

Carefully remove the product from the packaging and examine it for any sign of damage. If any part is damaged or missing, please contact the Draper Help Line. Do not attempt to use the product!

The packaging material should be retained during the warranty period, in case the product needs to be returned for repair.

WARNING! Some of the packaging materials may be harmful to children. Do not leave any of these materials in reach of children.

WARNING! If any of the packaging is to be thrown away, make sure they are disposed of correctly, according to local regulations.

5. OPERATION

5.1 Bleeding the Jack Before Use

- Prior to operating the jack, remove any accumulated air from the system as follows:
- Insert the handle into the socket and fix it with the screw provided.
- Turn it anti-clockwise no more than 1 full turn and, whilst held in this position, pump the jack using full and complete strokes for a minimum of 6 times to ensure internal lubrication and bleed the accumulated air from the system.
- Close the lift screw by rotating the handle clockwise fully. The jack is now ready to be used.

5.1 Operating the Jack - Figs. 5 - 7

IMPORTANT: Prior to lifting the load, ensure that all of the aforementioned safety instructions are followed.

The wheels of the jack should always rotate freely.

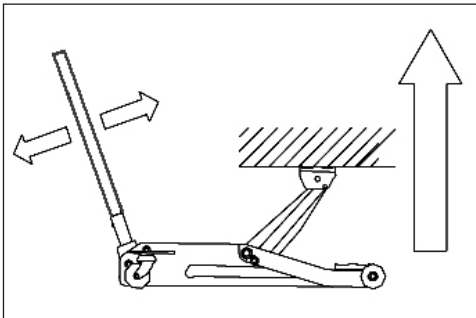


Fig. 5

For lifting, move the handle up and down using the full stroke range of the piston for greater speed. Secure the lifted load as an essential safety measure with appropriate axle stands.

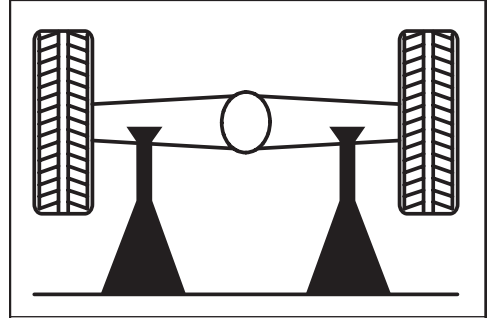


Fig. 6

Before lowering, lift the vehicle to remove the axle stands, ensuring that there are no persons or obstacles under the vehicle to be lowered. Lower the jack by **SLOWLY** rotating the handle anti-clockwise until the load starts to lower. **DO NOT** drop the load by releasing the screw fully.

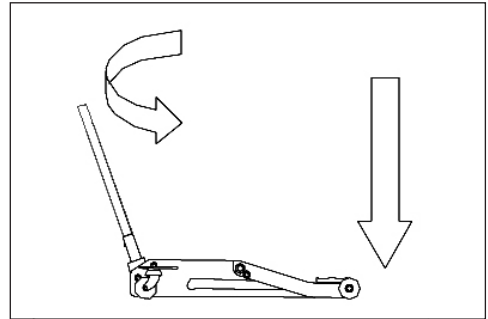


Fig. 7

Once the vehicle has been lowered remove the jack and rotate the handle clockwise to close the release mechanism.

6. MAINTENANCE

- **IMPORTANT:** Both the maintenance and repair of the jack may only be performed by qualified persons, who have training and sufficient knowledge of the hydraulic systems used in these devices.
- Keep the jack clean and lubricate all moving parts at regular intervals.
- **ONLY** original spare parts should be used.
- Prior to each use, check for bent, broken, cracked or loose parts. **DO NOT** use if any defects are present. If it is suspected that the jack has been subjected to abnormal loads or has suffered any knocks, withdraw it from service until the problem has been rectified.
- If the oil level needs to be checked or refilled, with the piston fully retracted, remove the filler plug and drain its contents into a container. With the jack in a horizontal position, add the required volume of oil.
- Make sure that no dirt enters with the new oil.
- Following a period of prolonged intensive use, it is recommendable to change the oil in order to extend the useful life of the jack.
- **IMPORTANT:** Do not add too much oil as this may render the jack inoperative.
- **ONLY** use suitable hydraulic oil. Never use brake fluid.
- When the jack is not in use, make sure the lifting arm is fully retracted to avoid corrosion. Apply an anti-corrosion product to the pistons, if appropriate.
- Keep the jack in a clean, dry place and out of children reach. Remove the operating handle.

7. WARRANTY

Draper Tools products are carefully tested and inspected before shipment and are guaranteed to be free from defective materials and workmanship.

Should the tool develop a fault, return the complete tool to your nearest distributor or contact Draper Tools directly.

Proof of purchase must be provided.

If, upon inspection, it is found that the fault occurring is due to defective materials or workmanship, repairs will be carried out free of charge. This warranty period covers parts and labour for 12 months from the date of purchase. Where tools have been hired out, the warranty period covers 90 days from the date of purchase.

This warranty does not apply to any consumable parts, batteries or normal wear and tear, nor does it cover any damage caused by misuse, careless or unsafe handling,

alterations, accidents, or repairs attempted or made by any personnel other than the authorised Draper Tools repair agent.

In all cases, to make a claim for faulty workmanship or materials within the standard warranty period, please contact or return the product to the place of purchase. Proof of purchase may be required.

If the place of purchase is no longer trading or if you experience any difficulties with your warranty, please contact Customer Services with the product details and your proof of purchase.

If the tool is not covered by the terms of this warranty, repairs and carriage charges will be quoted and charged accordingly.

This warranty supersedes any other guarantees expressed or implied and variations of its terms are not authorised.

Your Draper Tools guarantee is not effective until you can produce, upon request, a dated receipt or invoice to verify your purchase within the guarantee period.

Please note that this warranty is an additional benefit and does not affect your statutory rights.

Draper Tools Limited

8. DISPOSAL

- At the end of its working life, drain out the oil and dispose of the product responsibly and in line with local regulations. Recycle where possible, responsibly and in line with local regulations. Recycle where possible.
- Dispose of oil separately and in accordance with local regulations; **DO NOT** abandon it in the environment.



Contact Details

Draper Tools

Draper Tools Limited
Hursley Road
Chandler's Ford
Eastleigh
Hampshire
SO53 1YF
UK

Website: drapertools.com

Email: sales@drapertools.com

Product Helpline: +44 (0) 23 8049 4344

Telephone Sales Desk: +44 (0) 23 8049 4333

General Enquiries: +44 (0) 23 8026 6355

General Fax: +44 (0) 23 8026 0784

Delta International

Delta International BV
Oude Graaf 8
6002 NL
Weert
Netherlands

Please contact the Draper Tools Product Helpline for repair and servicing enquiries.