

To make assembly easier we recommend having two persons aid one another in assembly.

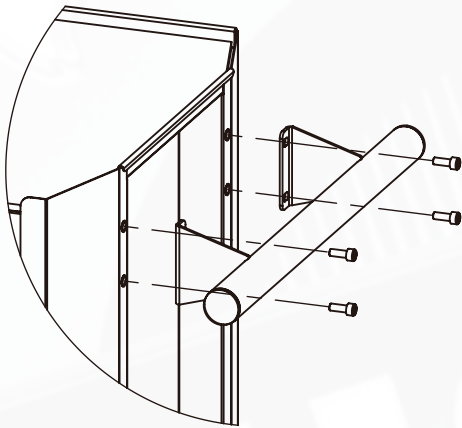
Stock No.

**20098, 20100, 20104, 20106
21260, 21278, 21262**

STEP 1: ATTACH CABINET HANDLE

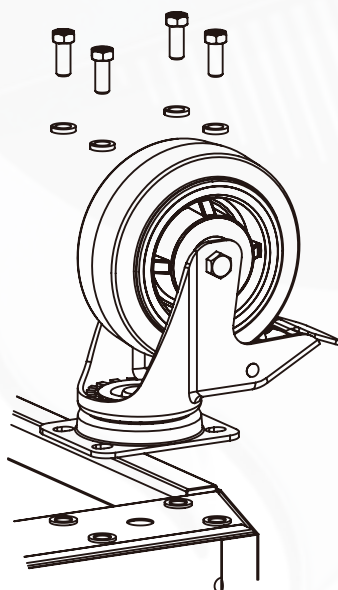
- Position the cabinet handle over the holes on the cabinet.
- Attach with (4) M6 x 15mm bolts and tighten with supplied hex key.

Note: the cabinet handle should be mounted on the same side as the swivel castors with brake.



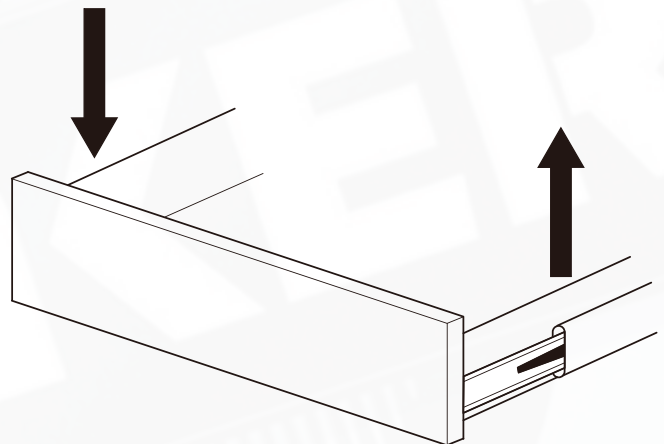
STEP 2: ATTACH CASTORS

- Be sure the drawers are locked and place the cabinet upside down.
- Secure castors to the unit using the (4) M8 x 25mm bolts and spring washers and tighten with supplied hex key.
- Repeat this process on the opposite of the cabinet.



REMOVING AND REPLACING THE DRAWERS:

- Pull the drawer completely out.
- Press down on the left tab and lift up the right tab.
- Pull drawer off sliders.
- To reinstall the drawer, realign with the internal slider and push in until locked in place.



CASTOR MAINTENANCE

Grease the castors annually using high quality bearing grease

CARE AND CLEANING

Periodically the surfaces should be cleaned with a mild detergent and water. Grease and oil can be removed with most standard cleaning fluids. For safety use a non-flammable cleaning fluid.

Auto wax will preserve the unit's lustre finish and protects against scratches.