

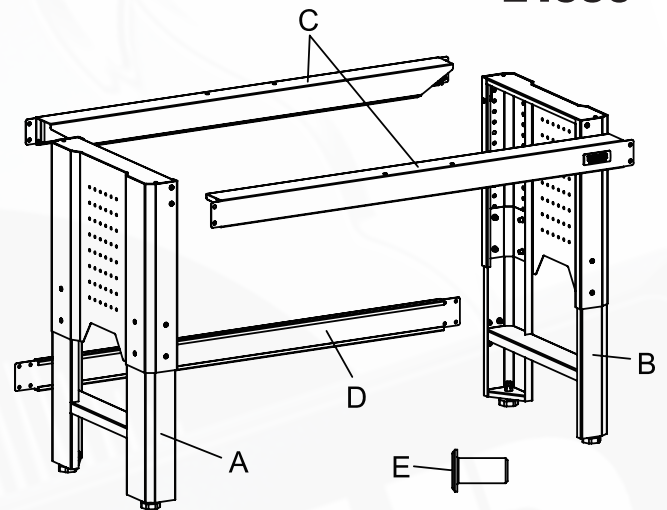
Stock No.  
**21530**

To make assembly easier we recommend having two persons aid one another in assembly.

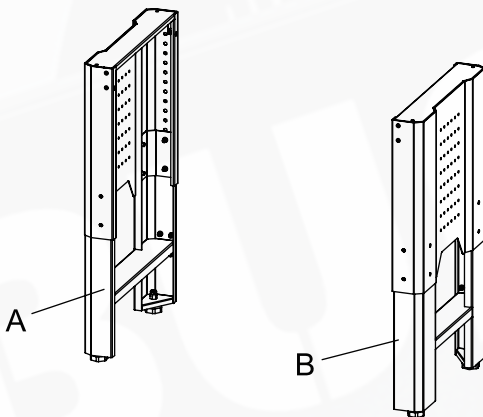
Part	Description	Quantity
A	Left Leg Panel	1
B	Right Leg Panel	1
C	Crossbar	2
D	Back Rail	1
E	M6 x12mm Bolt	30

**Suits 54" Worktop (33182 Wood & 33172 Stainless Steel)**

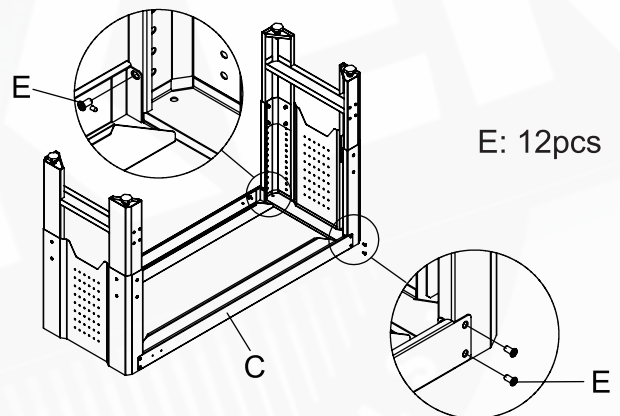
Note: 10 extra bolts are supplied (2 spare & 8 for connecting worktops)



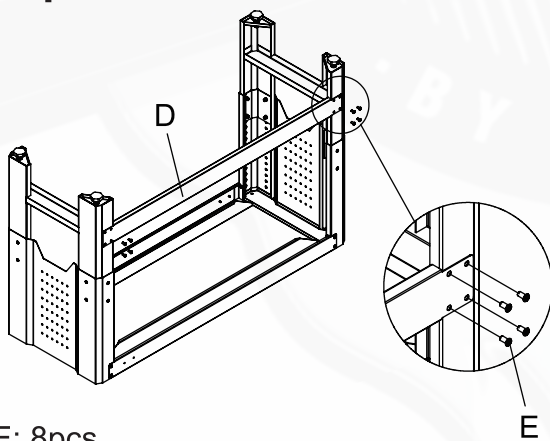
## Step 1



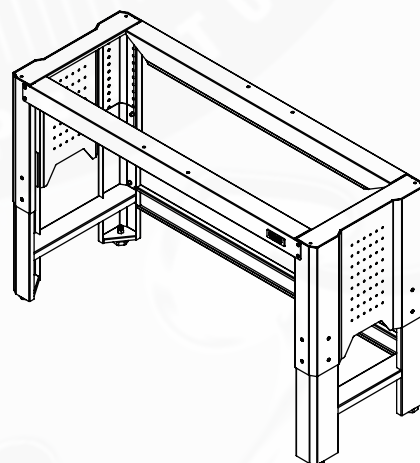
## Step 2



## Step 3

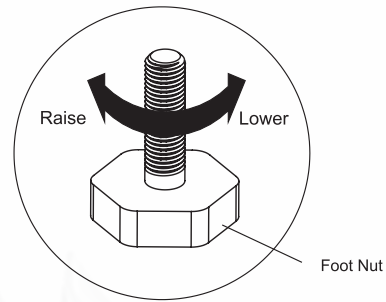


## Step 4



# Levelling Feet Adjustment

Adjust levelling position by turning the foot nut clockwise to raise and anticlockwise to lower the foot.



# Workbench Height Adjustment

The Leg Panels are preset for a total workbench height of 79cm (not including levelling feet).

The Panels can be adjusted to alter the workbench height from 77cm to 107cm.

## 1. Remove bolts

Completely unscrew the (8) M6 x 12mm bolts from each leg panel as shown in the figure below.

## 2. Adjust

Raise or lower the leg to the same position in the leg channel on each panel.

## 3. Refit bolts

Refit and securely tighten the removed bolts.

