

# 4 Tier Shelving Unit

Stock Nos.23230 • Part Nos.SU412

Instruction sheet artwork

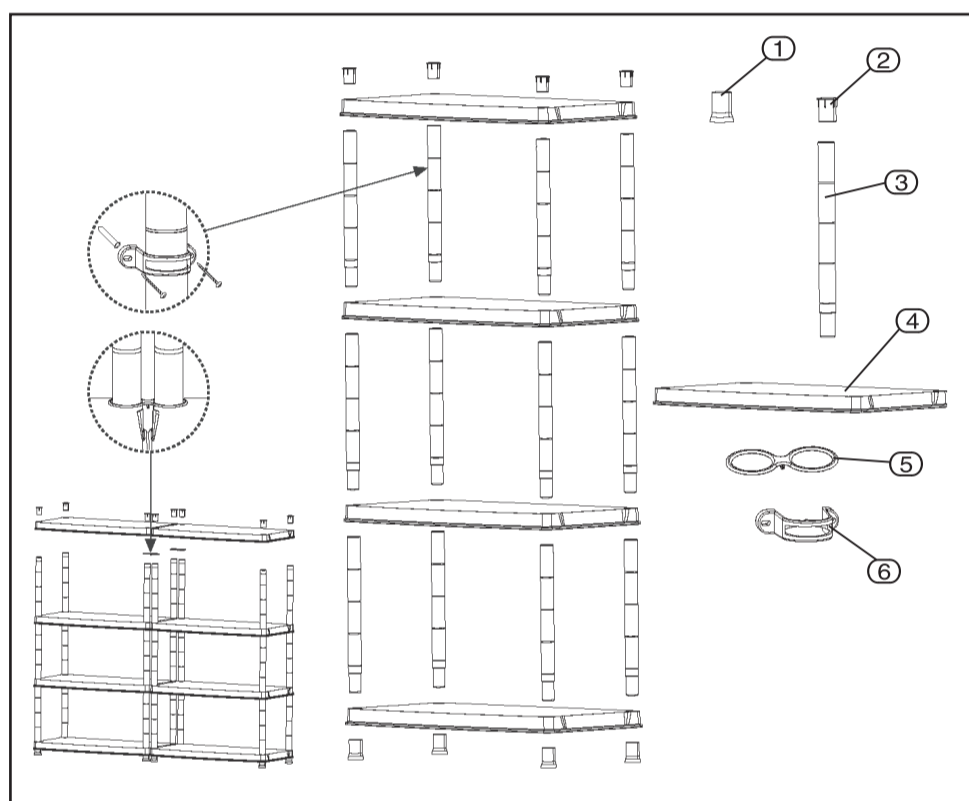


## 4-TIER SHELVING UNIT

23230 - SU412 ASSEMBLY INSTRUCTIONS

### WHAT'S IN THE BOX?

Note: For details of our full range of accessories and consumables, please visit [drapertools.com](http://drapertools.com)



- ① Foot x4
- ② Top cap x4
- ③ Leg support x12
- ④ Shelf x4
- ⑤ Connecting spacer x2
- ⑥ Wall bracket x2

### UNPACKING AND CHECKING

Carefully remove the product from the packaging and examine it for any sign of damage that may have happened during shipping. Lay the contents out and check them against the parts shown below. If any part is damaged or missing, please contact the Draper Help Line (the telephone number appears below) and do not attempt to use the product.

The packaging material should be retained at least during the warranty period, in case the product needs to be returned for repair.

**Warning!**

Some of the packaging materials used may be harmful to children. Do not leave any of these materials in the reach of children. If any of the packaging is to be thrown away, make sure they are disposed of correctly, according to local regulations.

### SAFETY INSTRUCTIONS

This unit should be placed on a level surface. Failure to do so can result in poor product performance or create a possible safety hazard. This unit should be securely anchored to a wall of floor with suitable fasteners, which are not included. Do not use this unit for anything other than the manufacturers intended purpose. **DO NOT STAND ON ANY PART OF THE UNIT, OR USE IT AS A LADDER.** Evenly distribute the weight on each level and always keep the heavier loads on the bottom. Use care when working with metal parts.

### OPERATION AND USE

Assembly is done by connecting the leg supports into the shelves. Apply gentle force to ensure connection between the pieces. The wall bracket supplied with this unit provides additional secure fixing to the wall.

Helpline: +44 (0) 23 8049 4344 Sales Desk: +44 (0) 23 8049 4333 General Enquiries: +44 (0) 23 8026 6355 internet: [drapertools.com](http://drapertools.com) email: [sales@drapertools.com](mailto:sales@drapertools.com)

Draper Tools Limited, Hursley Road, Chandler's Ford, Eastleigh, Hampshire. SO53 1YF UK.

RWDH0521