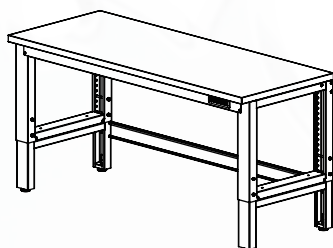
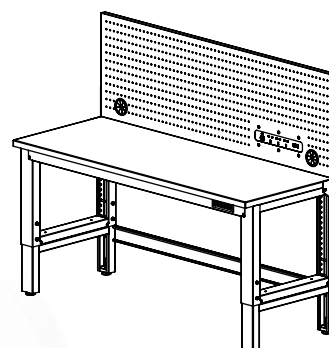


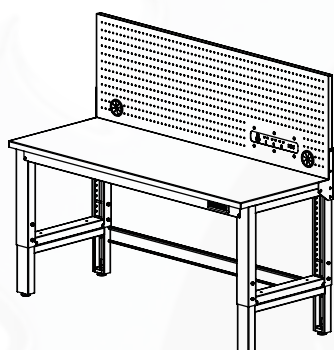
Part No. **B300-WB61W**
Stock No. **28089**
61" Workbench with Hardwood Worktop



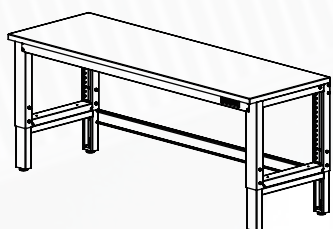
Part No. **B300-WB61SS**
Stock No. **28090**
61" Workbench with Stainless Steel Worktop



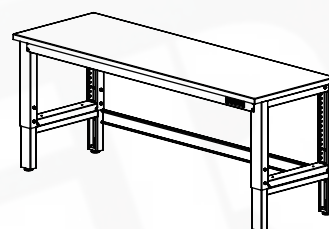
Part No. **B300-WB61WPP**
Stock No. **28096**
61" Workbench with Hardwood Worktop and Power Pegboard



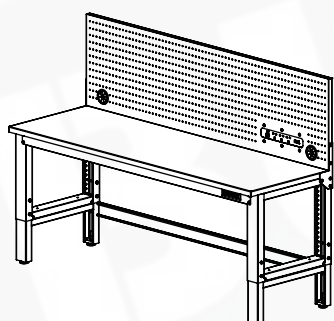
Part No. **B300-WB61SSPP**
Stock No. **28097**
61" Workbench with Stainless Steel Worktop and Power Pegboard



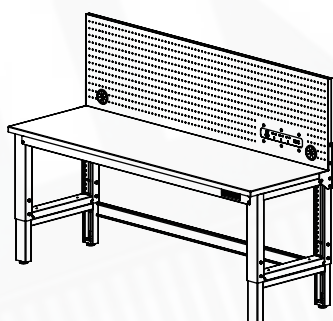
Part No. **B300-WB72W**
Stock No. **28091**
72" Workbench with Hardwood Worktop



Part No. **B300-WB72SS**
Stock No. **28095**
72" Workbench with Stainless Steel Worktop



Part No. **B300-WB72WPP**
Stock No. **28098**
72" Workbench with Hardwood Worktop and Power Pegboard



Part No. **B300-WB72SSPP**
Stock No. **28099**
72" Workbench with Stainless Steel Worktop and Power Pegboard

Unpack your workbench and check to make sure that it was not damaged during transit and that all items are included.

WARNING! The workbench is heavy. We recommend that 2 people unpack and assemble the workbench.

SPECIFICATIONS

Part No.	B300-WB61W B300-WB61SS	B300-WB61WPP B300-WB61SSPP	B300-WB72W B300-WB72SS	B300-WB72WPP B300-WB72SSPP
Dimensions	1,550 x 610 x 760 mm	1,550 x 610 x 1,267 mm	1,830 x 610 x 760 mm	1,830 x 610 x 1267 mm

PARTS BREAKDOWN

B300-WB61W

Ref	Description	Qty
A1	Rubber Wood Top	1
B	Left Leg	1
C	Right Leg	1
D1	Front Crossbar with BUNKER Badge	1
E1	Rear Crossbar	1
F1	Back Rail	1
G	M6 x 12mm Screws	36

B300-WB61SS

Ref	Description	Qty
AA1	Stainless Steel Top	1
B	Left Leg	1
C	Right Leg	1
D1	Front Crossbar with BUNKER Badge	1
E1	Rear Crossbar	1
F1	Back Rail	1
G	M6 x 12mm Screws	36

B300-WB61WPP

Ref	Description	Qty
A1	Rubber Wood Top	1
B	Left Leg	1
C	Right Leg	1
D1	Front Crossbar with BUNKER Badge	1
E1	Rear Crossbar	1
F1	Back Rail	1
G	M6 x 12mm Screws	56
H	Power Strip	1
I	Power Strip Holder	1
J1	Pegboard	1
K	Pegboard Left Bracket	1
L	Pegboard Right Bracket	1

B300-WB61SSP

Ref	Description	Qty
AA1	Stainless Steel Top	1
B	Left Leg	1
C	Right Leg	1
D1	Front Crossbar with BUNKER Badge	1
E1	Rear Crossbar	1
F1	Back Rail	1
G	M6 x 12mm Screws	56
H	Power Strip	1
I	Power Strip Holder	1
J1	Pegboard	1
K	Pegboard Left Bracket	1
L	Pegboard Right Bracket	1

B300-WB72W

Ref	Description	Qty
A2	Rubber Wood Top	1
B	Left Leg	1
C	Right Leg	1
D2	Front Crossbar with BUNKER Badge	1
E2	Rear Crossbar	1
F2	Back Rail	1
G	M6 x 12mm Screws	38

B300-WB72SS

Ref	Description	Qty
AA2	Stainless Steel Top	1
B	Left Leg	1
C	Right Leg	1
D2	Front Crossbar with BUNKER Badge	1
E2	Rear Crossbar	1
F2	Back Rail	1
G	M6 x 12mm Screws	38



B300-WB72WPP

Ref	Description	Qty
A2	Rubber Wood Top	1
B	Left Leg	1
C	Right Leg	1
D2	Front Crossbar with BUNKER Badge	1
E2	Rear Crossbar	1
F2	Back Rail	1
G	M6 x 12mm Screws	59
H	Power Strip	1
I	Power Strip Holder	1
J2	Pegboard	1
K	Pegboard Left Bracket	1
L	Pegboard Right Bracket	1

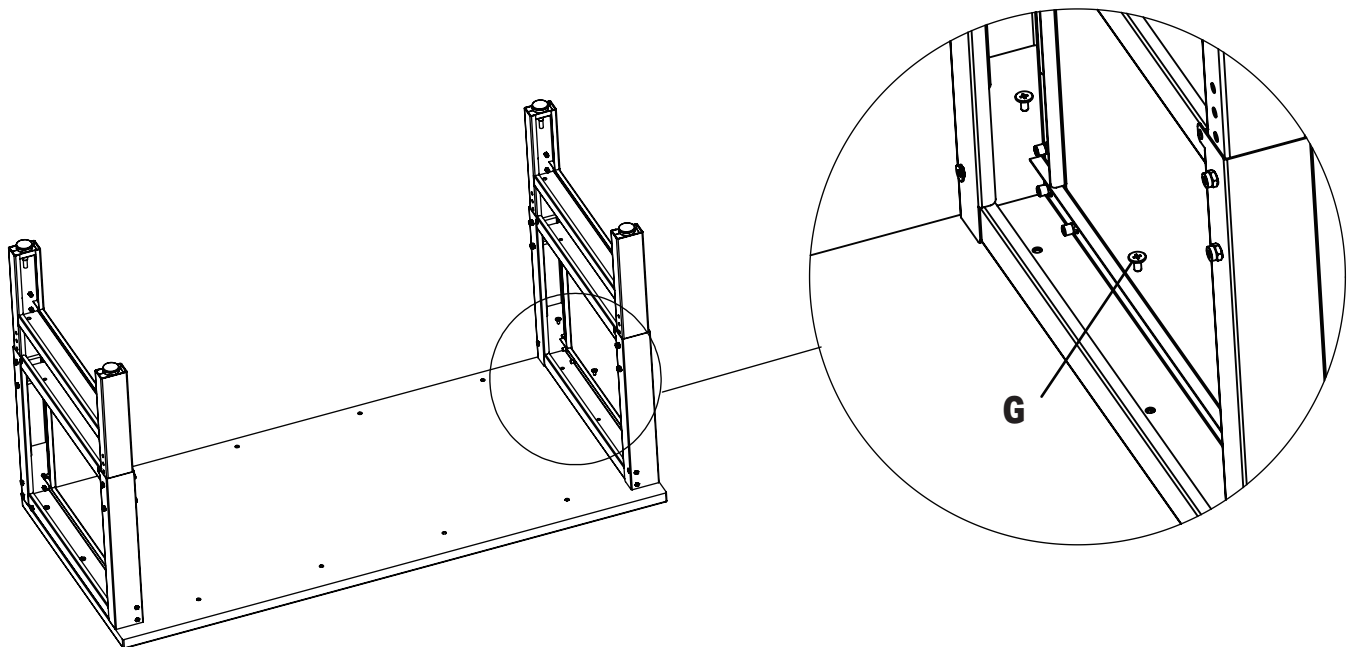
B300-WB72SSPP

Ref	Description	Qty
AA2	Stainless Steel Top	1
B	Left Leg	1
C	Right Leg	1
D2	Front Crossbar with BUNKER Badge	1
E2	Rear Crossbar	1
F2	Back Rail	1
G	M6 x 12mm Screws	59
H	Power Strip	1
I	Power Strip Holder	1
J2	Pegboard	1
K	Pegboard Left Bracket	1
L	Pegboard Right Bracket	1

ASSEMBLY

1. Left and Right Legs (B & C)

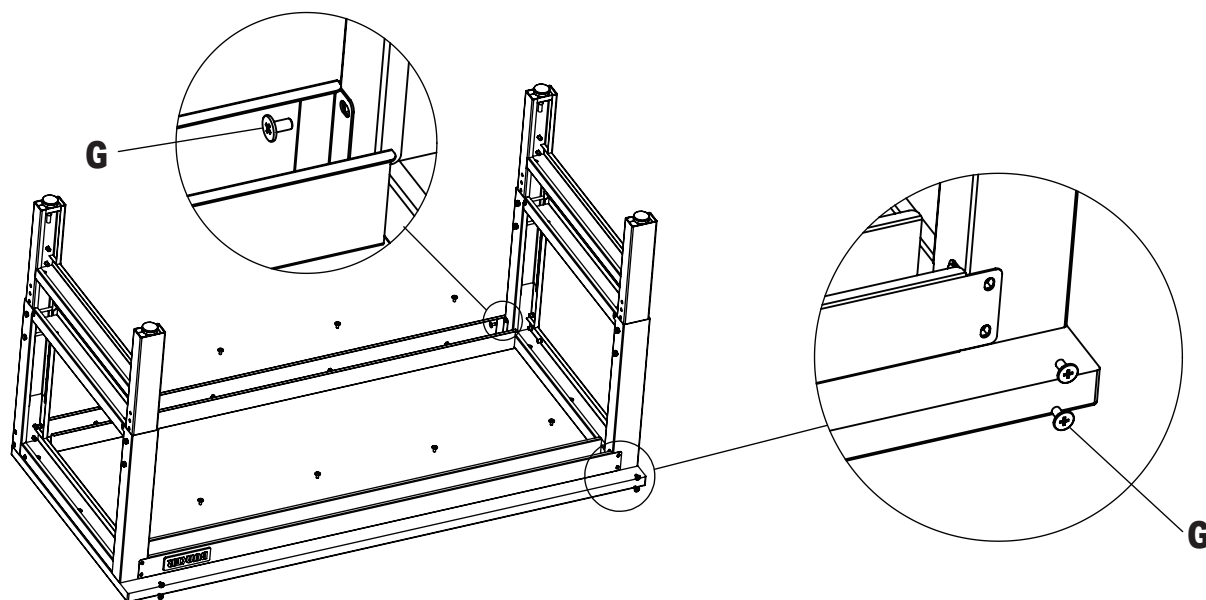
- Place the worktop topside down onto a protective piece of cardboard.
- Attach the left and right legs to the underside of the worktop.
- Align the pre-drilled holes in worktop with holes on top of legs.
- Partially tighten M6 x 12mm screws (G) through each leg into worktop.



2. Front and Rear Crossbars (D1 & E1 & D2 & E2)

- Attach crossbars to the front and back of left and right legs.
- Align the pre-drilled holes in worktop with holes in crossbars.
- Partially tighten M6 x 12mm screws (G) through each crossbar into worktop.
- Align crossbars end holes with holes in left and right legs.
- On each end of crossbars, partially tighten M6 x 12mm screws (G) through crossbar holes into leg holes.

Note: The crossbars end flanges must be attached so that they are on the outside of the legs.

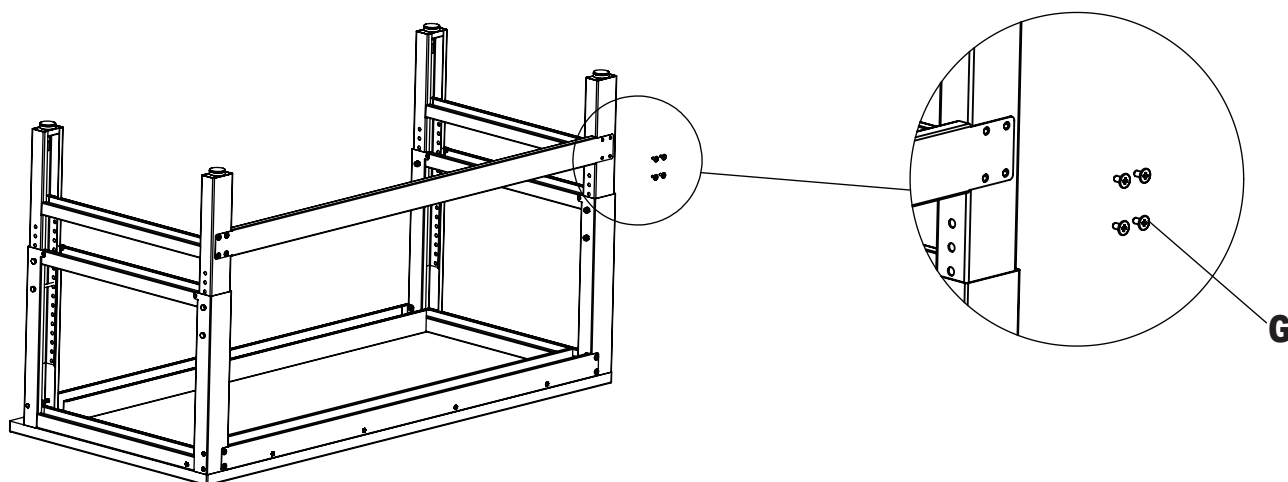


3. Back Rail (F1 & F2)

- Attach back rail to back of left and right legs.
- Align back rail end holes with holes in back of left and right legs.
- Tighten M6 x 12mm screws (G) through back rail end holes into leg holes.

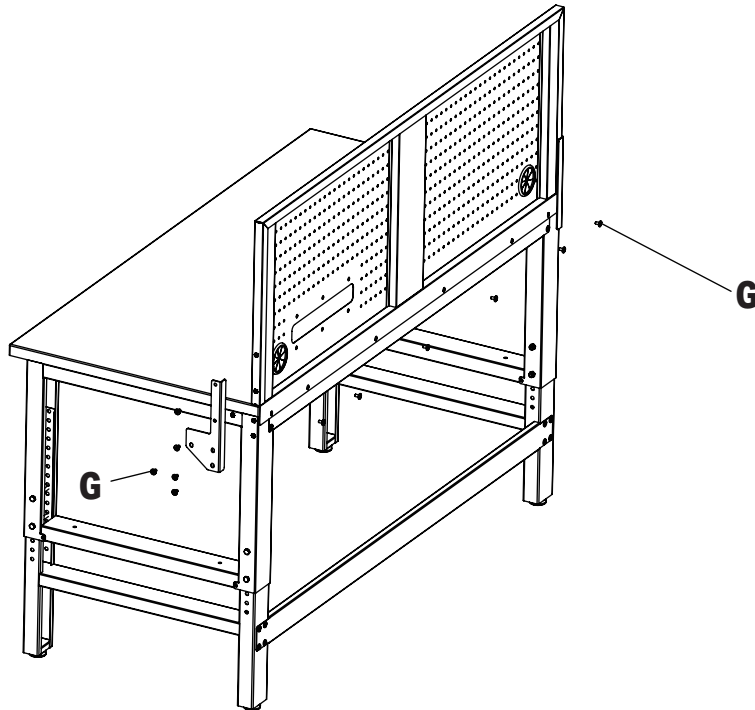
Note: The back rail end flanges must be attached so that they are on the outside of the legs.

- Once the back rail is attached, go back and fully tighten all screws that were partially tightened. Take care not to over tighten the screws.



4. Pegboard (J1 & J2) and Pegboard Left & Right Bracket (K & L)

- With the help of another person, carefully place the pegboard into the upright position.
- Position the pegboard left bracket over the holes on the pegboard and the leg.
- Attach the pegboard left bracket with M6 x 12mm screws (G).
- Repeat this process for the other side of the pegboard to attach it to the leg.



5. Power Strip (H) and Power Strip Holder (I)

- Insert the power strip into the power strip holder.
- Align the power strip holder holes with the holes in pegboard.
- Tighten M6 x 12mm screws (G) through pegboard holes into power strip holder holes.

