

EN

Original Instructions
Version 1

DRAPER[®]

230V WET & DRY
**BENCH
GRINDER**

31235



**UK
CA** **CE**

1. Preface

These are the original product instructions. This document is part of the product; retain it for the life of the product, passing it on to subsequent holders. Read this manual in full before attempting to assemble, operate or maintain this product.

This Draper Tools manual describes the purpose of the product and contains all the necessary information to ensure its correct and safe use. Following all the instructions and guidance in this manual will ensure the safety of both the product and the operator and increase the lifespan of the product.

All photographs and drawings within this manual are supplied by Draper Tools to help illustrate correct operation of the product.

Every effort has been made to ensure the information contained in this manual is accurate. However, Draper Tools reserves the right to amend this document without prior warning. Always use the latest version of the product manual.

1.1 Product Reference

User Manual for: 230V Wet and Dry Bench Grinder

Stock No: 31235

Part No: GWD205A

1.2 Revisions

Version 1: October 2007

First release

Version 2: October 2022

Full revision and format update

As our manuals are continually updated, always ensure that the latest version is used.

Please visit drapertools.com/manuals for the latest version of this manual and the associated parts list, if applicable.

1.3 Understanding the Safety Content of This Manual



WARNING! – Situations or actions that may result in personal injury or death.



CAUTION! – Situations or actions that may result in damage to the product or surroundings.

Important: – Information or instructions of particular importance.

1.4 Copyright © Notice

Copyright © Draper Tools Limited.

Permission is granted to reproduce this manual for personal and educational use **ONLY**. Commercial copying, redistribution, hiring or lending is strictly prohibited.

No part of this manual may be stored in a retrieval system or transmitted in any other form or means without written permission from Draper Tools Limited.

In all cases, this copyright notice must remain intact.

1. Preface	2
1.1 Product Reference	2
1.2 Revisions	2
1.3 Understanding the Safety Content of This Manual	2
1.4 Copyright © Notice	2
2. Contents	3
3. Warranty	4
4. Product Introduction	5
4.1 Scope	5
4.2 Specification	5
5. Health and Safety Information	6
5.1 General Power Tool Safety Warnings	6
5.2 Safety Instructions for Bench Grinders	7
5.3 Additional Safety Instructions for This Product	7
5.4 Residual Risk	8
5.5 Connection to the Power Supply	8
6. Identification and Unpacking	9
6.1 Product Overview	9
6.2 Packaging	9
6.3 What's in the Box?	10
7. Installation and Assembly	11
7.1 Notes on Installation	11
7.2 Assembly	11
8. Operating Instructions	14
8.1 General Guidance for Grinding and Honing	14
8.2 Preparing the Bench Grinder	14
8.3 Using the Grindstone	14
8.4 Whetstone Honing	15
8.5 Adjusting the Grindstone Wheel Housing	15
9. Maintenance and Troubleshooting	16
9.1 General Maintenance	16
9.2 Replacing the Grindstone	16
9.3 Replacing the Whetstone	17
9.4 Storing the Bench Grinder	17
9.5 Troubleshooting	18
10. Disposal	18
11. Explanation of Symbols	19

3. Warranty

Draper Tools products are carefully tested and inspected before shipment and are guaranteed to be free from defective materials and workmanship.

Should the tool develop a fault, return the complete tool to your nearest distributor or contact Draper Tools directly. Contact information can be found at the back of this manual.

Proof of purchase must be provided.

If, upon inspection, it is found that the fault occurring is due to defective materials or workmanship, repairs will be carried out free of charge. This warranty period covers parts and labour for 12 months from the date of purchase. Where tools have been hired out, the warranty period covers 90 days from the date of purchase.

This warranty does not apply to any consumable parts, batteries or normal wear and tear, nor does it cover any damage caused by misuse, careless or unsafe handling, alterations, accidents, or repairs attempted or made by any personnel other than the authorised Draper Tools repair agent.

In all cases, to make a claim for faulty workmanship or materials within the standard warranty period, please contact or return the product to the place of purchase. Proof of purchase may be required.

If the place of purchase is no longer trading or if you experience any difficulties with your warranty, please contact Customer Services with the product details and your proof of purchase. Contact details can be found at the back of this manual.

If the tool is not covered by the terms of this warranty, repairs and carriage charges will be quoted and charged accordingly.

This warranty supersedes any other guarantees expressed or implied and variations of its terms are not authorised.

Your Draper Tools guarantee is not effective until you can produce, upon request, a dated receipt or invoice to verify your purchase within the guarantee period.

Please note that this warranty is an additional benefit and does not affect your statutory rights.

Draper Tools Limited

4.1 Scope

This bench grinder is designed for grinding operations to sharpen or reshape metal tools and to remove excess metal from workpieces. It is intended for operations by hand **ONLY** and is suitable for regular use by enthusiasts and tradespersons alike. Any other application beyond the conditions established for use will be considered misuse. Draper Tools accepts no responsibility for improper use of this product.



WARNING! This product is not a toy and must be respected.

Read this manual in full before attempting to assemble, operate or maintain the product and retain it for later use.

4.2 Specification

Stock No.	31235
Part No.	GWD205A
Rated voltage	230V~50Hz
Rated input	350W
Whetstone wheel dimensions	
Diameter	200mm
Bore	80mm
Width	50mm
Grindstone wheel dimensions	
Diameter	125mm
Bore	12.7mm
Width	25mm
Speeds	
Whetstone wheel	320rpm
Grindstone wheel	2,850rpm
Noise emissions:	
Sound pressure level (L_{pA}):	70dB(A)
Uncertainty (K_{pA}):	2.7dB(A)
Sound power level (L_{WA}):	82dB(A)
Uncertainty (K_{WA}):	2.7dB(A)
Dimensions	W 460 x H 320 x D 300mm
Weight	Net 10kg Gross 11kg

Important: The declared noise emissions values have been measured in accordance with a standard test method and may be used for comparing one tool with another. These values may also be used in a preliminary assessment of exposure.



WARNING! The noise emissions during actual use of the product can differ from the declared values depending on the way in which the tool is used and the kind of workpiece that is processed. Take into account all parts of the operation cycle in order to identify any safety measures required to protect the operator.

5. Health and Safety Information

5.1 General Power Tool Safety Warnings



WARNING! Read all safety warnings, instructions, illustrations and specifications provided with this power tool. Failure to follow all instructions listed below may result in electric shock, fire and/or serious injury.

Save all warnings and instructions for future reference.

The term "power tool" in the warnings refers to your mains-operated (corded) power tool or battery-operated (cordless) power tool.

Work area safety

- Keep work area clean and well lit.
 - Cluttered or dark areas invite accidents.
- Do not operate power tools in explosive atmospheres, such as in the presence of flammable liquids, gases or dust.
 - Power tools create sparks which may ignite the dust or fumes.
- Keep children and bystanders away while operating a power tool.
 - Distractions can cause you to lose control

Electrical safety

- Power tool plugs must match the outlet. Never modify the plug in any way. Do not use any adapter plugs with earthed (grounded) power tools.
 - Unmodified plugs and matching outlets will reduce risk of electric shock.
- Avoid body contact with earthed or grounded surfaces, such as pipes, radiators, ranges and refrigerators.
 - There is an increased risk of electric shock if your body is earthed or grounded.
- Do not expose power tools to rain or wet conditions.
 - Water entering a power tool will increase the risk of electric shock.
- Do not abuse the cord. Never use the cord for carrying, pulling or unplugging the power tool. Keep cord away from heat, oil, sharp edges or moving parts.
 - Damaged or entangled cords increase the risk of electric shock.
- When operating a power tool outdoors, use an extension cord suitable for outdoor use.
 - Use of a cord suitable for outdoor use reduces the risk of electric shock.

- If operating a power tool in a damp location is unavoidable, use a residual current device (RCD) protected supply.
 - Use of an RCD reduces the risk of electric shock.

Personal safety

- Stay alert, watch what you are doing and use common sense when operating a power tool. Do not use a power tool while you are tired or under the influence of drugs, alcohol or medication.
 - A moment of inattention while operating power tools may result in serious personal injury.
- Use personal protective equipment. Always wear eye protection.
 - Protective equipment such as a dust mask, non-skid safety shoes, hard hat or hearing protection use for appropriate conditions will reduce personal injuries.
- Prevent unintentional starting. Ensure the switch is in the off-position before connecting to power source and/or battery pack, picking up or carrying the tool.
 - Carrying power tools with your finger on the switch or energising power tools that have the switch on invites accidents.
- Remove any adjusting key or wrench before turning the power tool on.
 - A wrench or a key left attached to a rotating part of the power tool may result in personal injury.
- Do not overreach. Keep proper footing and balance at all times.
 - This enables better control of the power tool in unexpected situations.
- Dress properly. Do not wear loose clothing or jewellery. Keep your hair and clothing away from moving parts.
 - Loose clothes, jewellery or long hair can be caught in moving parts.
- If devices are provided for the connection of dust extraction and collection facilities, ensure these are connected and properly used.
 - Use of dust collection can reduce dust-related hazards.
- Do not let familiarity gained from frequent use of tools allow you to become complacent and ignore tool safety principles.
 - A careless action can cause severe injury within a fraction of a second.

Power tool use and care

- Do not force the power tool. Use the correct power tool for your application.
 - The correct power tool will do the job better and safer at the rate for which it was designed.
- Do not use the power tool if the switch does not turn it on and off.
 - Any power tool that cannot be controlled with the switch is dangerous and must be repaired.
- Disconnect the plug from the power source and/or remove the battery pack, if detachable, from the power tool before making any adjustments, changing accessories, or storing power tools.
 - Such preventive safety measures reduce the risk of starting the power tool accidentally.
- Store idle power tools out of the reach of children and do not allow persons unfamiliar with the power tool or these instructions to operate the power tool.
 - Power tools are dangerous in the hands of untrained users.
- Maintain power tools and accessories. Check for misalignment or binding of moving parts, breakage of parts and any other condition that may affect the power tool's operation. If damaged, have the power tool repaired before use.
 - Many accidents are caused by poorly maintained power tools.
- Keep cutting tools sharp and clean.
 - Properly maintained cutting tools with sharp cutting edges are less likely to bind and are easier to control.
- Use the power tool, accessories and tool bits etc. in accordance with these instructions, taking into account the working conditions and the work to be performed.
 - Use of the power tool for operations different from those intended could result in a hazardous situation.
- Keep handles and grasping surfaces dry, clean and free from oil and grease.
 - Slippery handles and grasping surfaces do not allow for safe handling and control of the tool in unexpected situations.

Service

- Have your power tool serviced by a qualified repair person using only identical replacement parts.
 - This will ensure that the safety of the power tool is maintained.

5.2 Safety Instructions for Bench Grinders

Bench grinder safety warnings

- Do not use a damaged accessory. Before each use, inspect the accessory such as abrasive wheels for chips and cracks. After inspecting and installing an accessory, position yourself and bystanders away from the plane of the rotating accessory and run the power tool at maximum no-load speed for one minute.
 - Damaged accessories will normally break apart during this test time.
- The rated speed of the accessory must be at least equal to the maximum speed marked on the power tool.
 - Accessories running faster than their rated speed can break and fly apart.
- Never grind on the sides of a grinding wheel.
 - Grinding on the side can cause the wheel to break and fly apart.

5.3 Additional Safety Instructions for This Product

- The grinding wheels are not interchangeable; **ALWAYS** install grinding wheels onto the correct spindle.
- Use **ONLY** grinding wheels matching the diameter and bore specifications required for this product.
- When transporting the bench grinder, lift it using the base or beneath the grinding wheel drives.



CAUTION! DO NOT lift the bench grinder using the wheel housings.

- **ALWAYS** wear suitable eye protection, ear defenders and a respirator when working with abrasive tools.
- **ALWAYS** follow the latest HSE guidance on the fitting and use of abrasive wheels.

5. Health and Safety Information

5.4 Residual Risk

The safety instructions in this manual cannot account for all possible conditions and situations that may occur. Exercise common sense and caution when using this product and protect against any additional conceivable risks.

***Earthed:** This product requires an earth connection to protect against electric shock from accessible conductive parts in the event of a failure of the basic insulation.

5.5 Connection to the Power Supply



CAUTION!

Risk of electric shock. Do not open.

This appliance is supplied with an approved plug and cable for your safety. The value of the fuse fitted is marked on the pin face of the plug. Should the fuse need replacing, ensure the substitute is of the correct rating, approved to BS1363/A and ASTA or BS Kite marked.

ASTA

BSI

The fuse cover is removable with a small plain slot screwdriver. Ensure the fuse cover is replaced before attempting to connect the plug to an electrical outlet. If the cover is missing, a replacement must be obtained or the plug replaced with a suitable type.

If the power supply cord is damaged, it must be replaced by Draper Tools, an authorised service agent or similarly qualified personnel in order to avoid a hazard.

The damaged or incomplete plug, when cut from the cable, shall be disabled to prevent connection to a live electrical outlet.

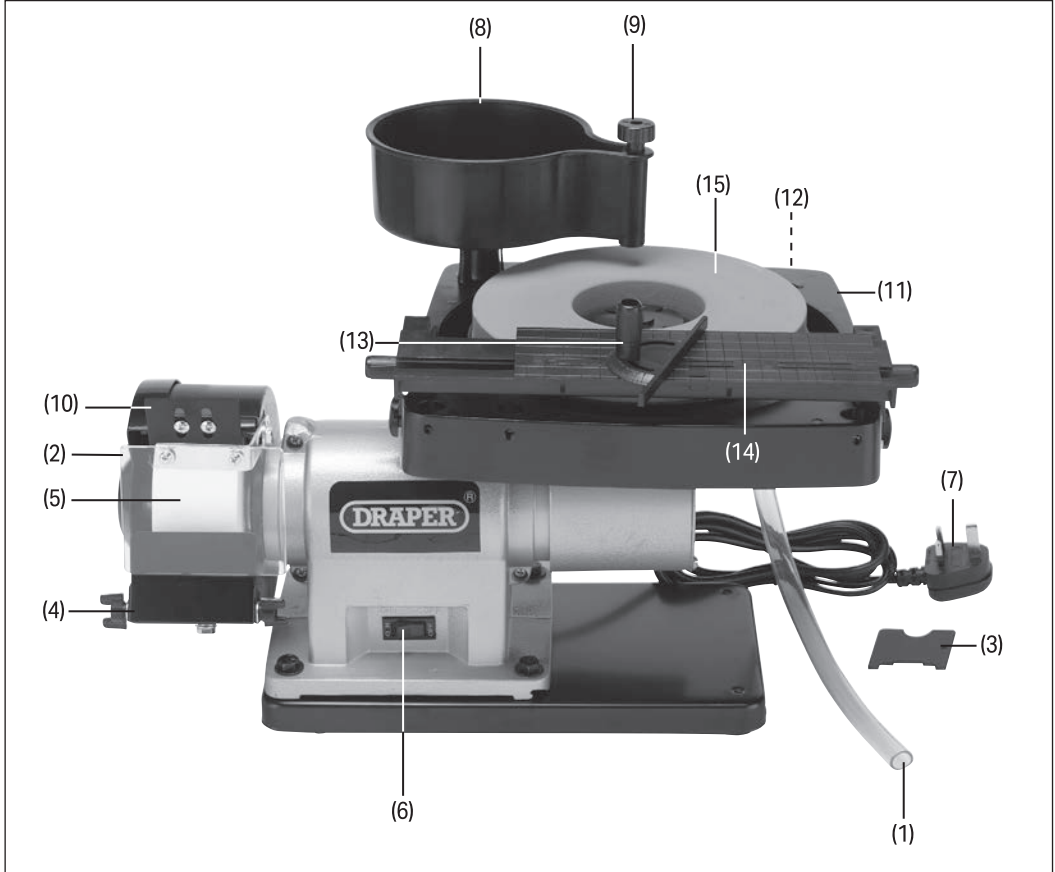
This product is Class I* and is designed for connection to a power supply matching that detailed on the rating label and compatible with the plug fitted.

If an extension lead is required, use an approved and compatible lead rated for this appliance.

Follow all the instructions supplied with the extension lead.

Important: If using an extension lead, follow the instructions that came with your lead regarding maximum load while the cable is wound. If in doubt, ensure that the entire cable is unwound. Using a coiled extension lead will generate heat which could melt the lead and cause a fire.

6.1 Product Overview



- | | |
|--------------------------|-----------------------------|
| (1) Drainage hose | (9) Reservoir tap |
| (2) Eye shield (clear) | (10) Spark deflector |
| (3) Flange holding tool | (11) Water tray |
| (4) Grindstone tool rest | (12) Water tray outlet |
| (5) Grindstone wheel | (13) Whetstone honing guide |
| (6) On/off switch | (14) Whetstone tool rest |
| (7) Power cable and plug | (15) Whetstone wheel |
| (8) Reservoir | |

6.2 Packaging

Keep the product packaging for the duration of the warranty period for reference should the product need to be returned for repair.



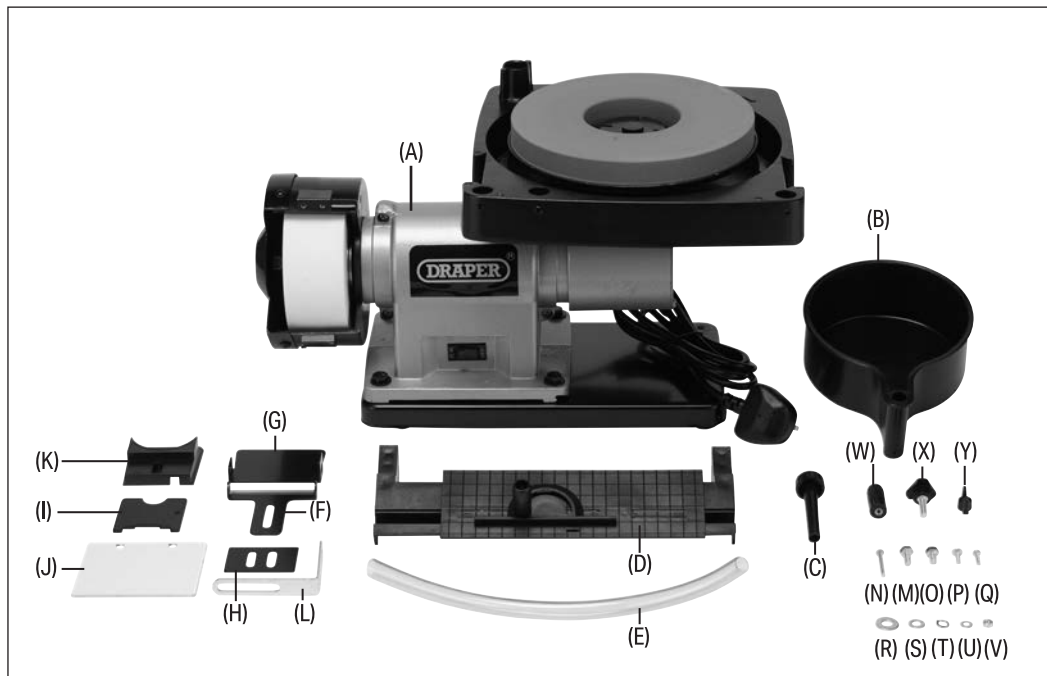
WARNING! Keep packaging materials out of reach of children. Dispose of packaging correctly and responsibly and in accordance with local regulations.

6. Identification and Unpacking

6.3 What's in the Box?

Carefully remove the product from the packaging and examine it for any signs of damage that may have occurred during shipment..

Before assembling the product, lay the contents out and check them against the parts shown below. If any part is damaged or missing, do not attempt to use the product. Please contact the Draper Helpline; contact details can be found at the back of this manual.



(A) 1 x Bench grinder

(B) 1 x Reservoir

(C) 1 x Reservoir tap

(D) 1 x Whetstone tool rest

(E) 1 x Drainage pipe

(F) 1 x Grindstone tool rest base panel

(G) 1 x Grindstone tool rest front panel

(H) 1 x Spark deflector

(I) 1 x Flange holding tool

(J) 1 x Eye shield

(K) 2 x Tool rest brackets (black)

(L) 1 x L bracket (silver)

(M) 3 x M6 x 10mm hex bolts

(N) 2 x M4 x 30mm hex bolts

(O) 1 x 10mm hex bolt

(P) 2 x M4 x 12mm screws

(Q) 2 x M4 x 10mm screws

(R) 1 x M8 washer

(S) 3 x M6 washers

(T) 3 x M6 spring washers

(U) 2 x M4 washers

(V) 2 x M4 nuts

(W) 2 x Knobs

(X) 2 x Locking knobs

(Y) 2 x Wing nuts

Please visit drapertools.com for our full range of accessories and consumables.

WARNING! Ensure that the switch is in the OFF position and that the power supply is disconnected before attempting to install and assemble the bench grinder.

7.1 Notes on Installation

- The bench grinder should be installed on a flat and level surface in a well-lit environment.
- The bench grinder should be positioned at a level high enough to prevent injury caused by an uncomfortable working position, but low enough that the workpiece can be safely viewed from above.

WARNING! Bending over or looking down for prolonged periods may result in discomfort and injuries from fatigue.

- Secure the bench grinder to the workbench using clamps where possible and **ALWAYS** ensure that the grinder remains secure throughout the operation.
 - Clamps or clasps must not interfere with access to or freedom of movement around the grinding wheels and working area.
- The workbench should offer enough space around the bench grinder to accommodate all possible applications and house any accessories.
- Install the bench grinder in a dry and clean environment, away from water, dust and debris that may corrode or clog the moving parts of the tool.

7.2 Assembly

1. Fit the tool rest:
 - a. Insert the grindstone tool rest front panel (G) onto the tool rest base panel (F) at a right angle.

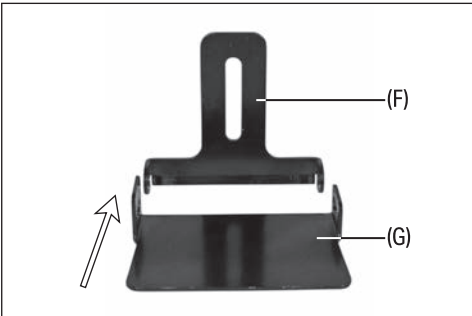


Fig. 1

- b. From the inside of the tool rest panels, pass two M6 x 10mm hex bolts (M) through spring washers (T) and the aligning openings.
- c. Secure the panels with M6 washers (S) and wing nuts (Y).
Folding the two panels towards each other can help to screw the bolts in place more easily. The wing nuts can be attached early and slowly tightened to draw the bolts through the openings.

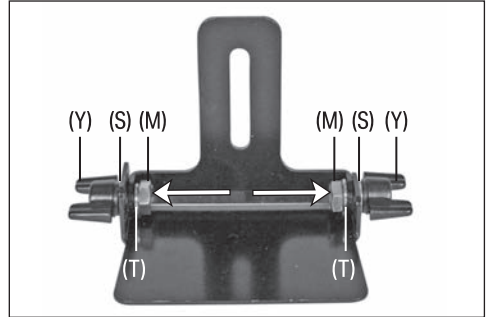


Fig. 2

- d. Pass an M6 x 10mm hex bolt (M) through an M6 washer (S), spring washer (T) and the slot in the tool rest into the socket (16) at the **bottom** of the grindstone housing opening.

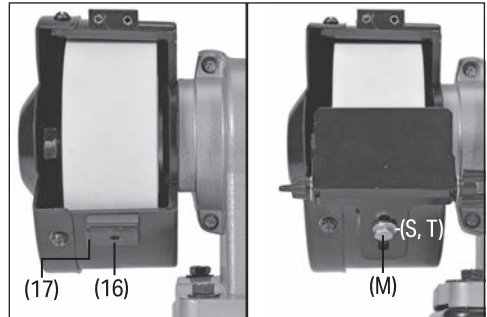


Fig. 3

Important: Butt the tool rest against the lip (17) beside the opening to prevent it from twisting during use.

7. Installation and Assembly

2. Attach the spark deflector:

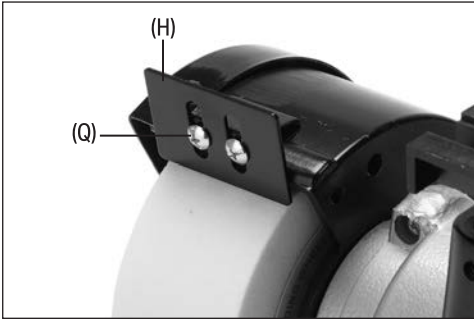


Fig. 4

- Use two M4 x 10mm screws (Q) to attach the spark deflector (H) into the sockets at the **top** of the grindstone housing opening.
- Adjust the spark deflector so that it is **level** and positioned approximately 1.5mm above the wheel surface.

3. Attach the eye shield:

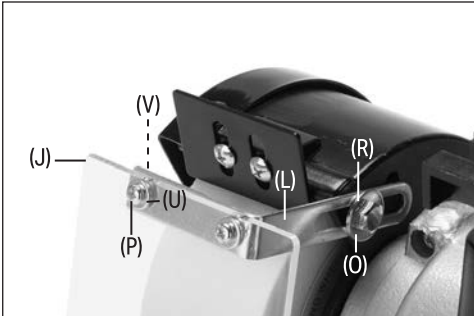


Fig. 5

- Pass two M4 x 12mm screws (P) through M4 washers (U) and the openings in the eye shield (J).
- Use the M4 nuts (V) to secure the eye shield to the L bracket (L).
With the screws at the top of the eye shield, the slotted arm of the bracket should be on the right.
- Pass the 10mm hex bolt (O) through the M8 washer (R) and attach the eye shield to the nearest opening on the right-hand side of the grindstone housing

4. Attach the whetstone honing guide:

- Insert the two tool rest brackets (K) on either side of the water tray and use the locking knobs (X) to secure them in place.

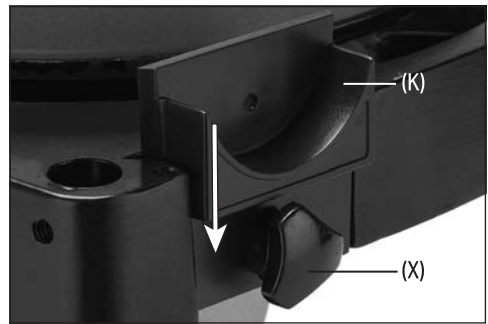


Fig. 6

- Place the whetstone tool rest (D) onto the brackets and pass the M4 x 30mm hex bolts (N) outward through each bracket, locating them in the recess to prevent turning.
- Use the knobs (W) to secure the brackets in place.

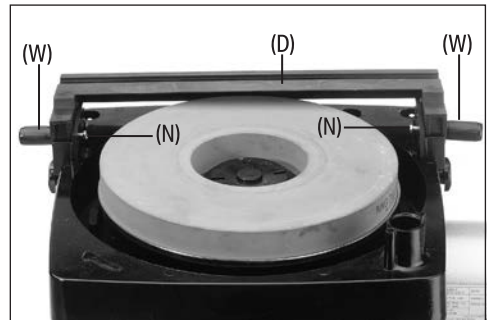


Fig. 7

5. Attach the whetstone reservoir:



Fig. 8

- a. Remove the foam ring around the whetstone.
 - b. Insert the reservoir tap (C) into the hole in the reservoir (B).
 - c. Place the reservoir onto the socket on the water tray frame (11) and position the outlet centrally over the whetstone.
6. Fit the drainage pipe (E) to the outlet (18) beneath the far right-hand side of the water tray.

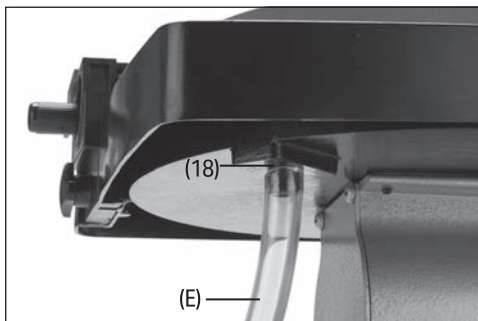



Fig. 9

8. Operating Instructions

Important: ALWAYS ensure that the product is switched off before connecting the power supply. Check for obstructions to the grinding wheels before switching on.

 **WARNING! DO NOT operate the bench grinder unless both of the grinding wheels are installed and all of the protective fixtures are in place and positioned appropriately.**

8.1 General Guidance for Grinding and Honing


This bench grinder is intended for operations by hand **ONLY**; this may include the sharpening of drill bits, chisels and screwdrivers, the reshaping of workpieces or the removal of excess material.

The coarse grindstone should be used for grinding rough materials, to remove large amounts of metal or where a smooth and precise finish is not required.

The fine whetstone should be used for sharpening or refining tools or grinding to a precise size. Whetstone honing removes metal more slowly and provides a smooth finish. It does not produce enough heat to anneal the cutting edges.

Important: When grinding or honing, keep the workpiece moving across the face of the wheel. Persistent grinding against the same part of the wheel will cause uneven wear of the wheel face.


 **WARNING! Stand clear of the bench grinder while it runs up to speed and until you are ready to begin work on a tool.**

 **CAUTION! Ensure that the foam ring around the whetstone has been removed before connecting the tool to mains power.**

8.2 Preparing the Bench Grinder

Before operating the bench grinder, complete the following steps:

- Visually inspect both grinding wheels for damage before **EVERY** use:
 - Check both the grindstone and whetstone for chips and cracks.
 - Check the flange attached to the base of the whetstone disc.
 - Check the flanges and blotters attached on either side of the grindstone.

 **WARNING! If any damage to any of these parts of the product is detected, DO NOT use it. The grinding wheels may break apart when rotating at speed. Have any broken parts repaired or replaced by a qualified and authorised technician.**

- Check that there is 1.5mm of clearance between the grinding wheels and the tool rests and spark deflector and adjust as necessary.
- **Important:** Adjust the position of the tool rests and spark deflector frequently to compensate for wearing of the wheels. **DO NOT** allow the clearance to exceed 2mm. If this minimum clearance cannot be maintained, replace the grinding wheel.
- Ensure that the angle between the tool rests and the tangent of their respective grinding wheels is no greater than 85°.
- Ensure that the eye shield is positioned appropriately to protect the line of sight to the grindstone and is firmly secured in place.
- Check that the locking attachments for both wheels are firmly secured.

8.3 Using the Grindstone

 **WARNING! DO NOT operate the grinding wheel if the eye shield is not attached or is raised. NEVER grind on the sides of the grinding wheel.**

Important: The grinding wheel is for dry use only.

1. Use the wing nuts (Y) and bolt fixture to loosen and set the grindstone tool rest (4) at the required angle, and position it approximately 1.5mm from the wheel.
2. Connect the product to a power supply and press the on/off switch (6) to start the tool.
3. Allow the wheel to run up to full speed and ensure that it is not obstructed in any way.
4. Hold the tool to be ground with a secure and comfortable grip and position it against the tool rest.
5. Carefully slide the tool towards the wheel until contact is made.

8.4 Whetstone Honing

Important: The whetstone must **ALWAYS** be used with water.

1. Use the knobs (W) to loosen and set the whetstone tool rest (14) with the appropriate vertical angle of approach.
2. Use the knob to loosen and set the whetstone honing guide (13) with the horizontal angle of approach.
Important: The bottom edge of the tool rest **MUST** be parallel to the surface of the whetstone.
3. Half-fill the reservoir (8) with clean water.
4. Turn the reservoir tap (9) to regulate the flow of water over the whetstone.
5. Connect the product to a power supply and press the on/off switch (6) to start the tool.
6. Allow the wheel to run up to full speed and ensure that it is not obstructed in any way.
7. Hold the tool to be ground with a secure and comfortable grip and position it against the tool rest and honing guide.
8. Carefully slide the tool towards the wheel until contact is made.

8.5 Adjusting the Grindstone Wheel Housing

The grindstone wheel housing can be set in two positions. See **9.2 Replacing the Grindstone** for guidance.

9. Maintenance and Troubleshooting

Important: Maintenance and repair of the bench grinder must only be performed by qualified personnel with sufficient knowledge of the mechanisms used in these devices.

WARNING! Ensure that the bench grinder is switched off, disconnected from mains power and has completely stopped before carrying out any maintenance or adjustment.

9.1 General Maintenance

- Regularly check the stones, flanges and blotters for signs of damage and excessive wear.

CAUTION! DO NOT use the bench grinder if damage to any part of either grinding wheel is detected. Damaged wheels should be removed and discarded immediately as they may break apart or cause the bench grinder to vibrate.

- Before installing replacement grinding wheels, perform a ring test on the stone by suspending the stone by its central hole and tapping the side of the wheel with a non-metallic object.
 - A ringing tone indicates that the wheel is intact.
 - A dull or cracked tone indicates that the wheel is damaged.
- Regularly lubricate all moving metal mechanical parts.
- Periodically dress the grindstone wheel (5) to remove any grooves and ensure an even finish across the face of the stone.
 - Draper Tools recommends product Stock No. 30479 for dressing the grindstone.
- Protect the tool from adverse weather conditions.
 - Exposure to water can cause severe corrosion to the moving parts of this product.
- Use only spare parts supplied by Draper Tools.
- Replace wheels that are worn more than 25%.

9.2 Replacing the Grindstone

Important: A grindstone may **ONLY** be installed onto the spindle on the side of the product. **ONLY** install grindstones matching the specification of this product.

- Remove the three screws (19) that hold the grindstone housing cap in place.

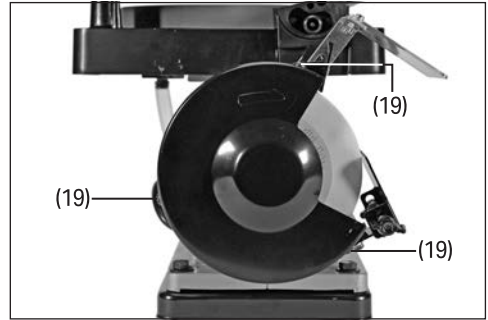


Fig. 10

- Hold or wedge the grindstone firmly in place and twist the locking nut (20) clockwise to remove it.

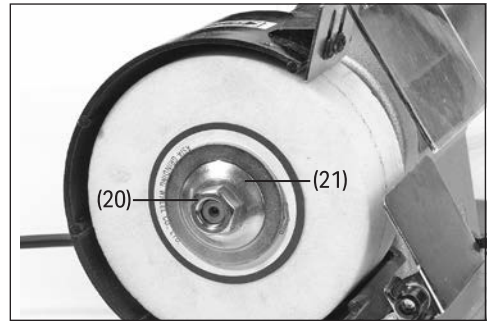


Fig. 11

Important: If wedging the grindstone in place, use a wide and level object to spread pressure across the face of the wheel.

- Slide the flange (21) and grindstone off the spindle.
- The grindstone housing can be set in two positions and can be adjusted when the grindstone has been removed:
 - Remove the backing flange, taking note of which way it was fitted.

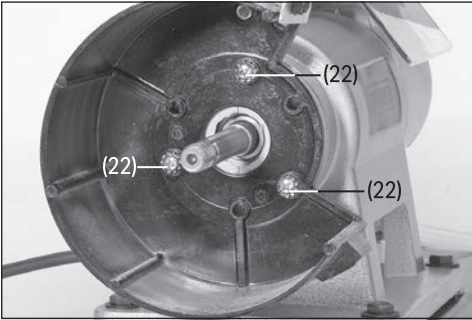


Fig. 12

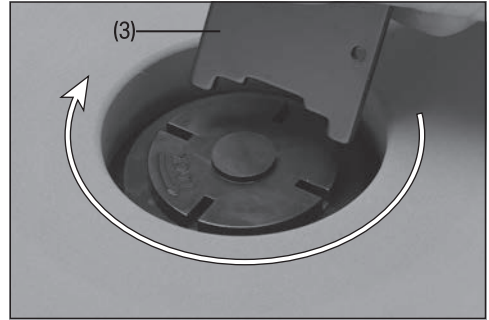


Fig. 13

- b. Remove the three screws (22) that secure the grindstone housing in place.
- c. Rotate the grindstone housing so that the second set of three holes align with the sockets on the main frame.
- d. Replace the screws and the flange.

5. Inspect the new grindstone for damage or imperfections and install it onto the spindle.



CAUTION! DO NOT install the grindstone if the stone or blotters are damaged. Contact Draper Tools for replacement options.

6. Securely fit the flange and locking nut, twisting it anticlockwise to tighten.
7. Install the grindstone housing cap and fix the three attaching screws back into place.
8. Switch on the bench grinder and allow the wheel to run to full speed, ensuring that it turns smoothly.

9.3 Replacing the Whetstone

Important: Whetstones may **ONLY** be installed onto the spindle at the top of the product. **ONLY** install whetstones matching the specification of this product.

1. Remove the reservoir (8) from the water tray (11).
2. Use the flange holding tool (3) to twist the whetstone locking flange clockwise.

3. Remove the locking attachment and lift the whetstone away from the water tray.
4. Inspect the new whetstone for damage or imperfections and insert it onto the spindle.



CAUTION! DO NOT install the stone if it is damaged. Contact Draper Tools for replacement options.

5. Return the locking flange and twist it anticlockwise using the flange holding tool until it is sufficiently tight.
6. Switch on the bench grinder and allow the wheel to run to full speed, ensuring that it turns smoothly.

9.4 Storing the Bench Grinder

When the bench grinder is not in use:

- Before storing the product:
 - Drain and dry the reservoir attachment.
 - Drain and dry the water tray and remove any sediment that has gathered.
 - Clean and dry the drainage hose.
- Store the bench grinder in a dry and clean location, out of reach of children.

9. Maintenance and Troubleshooting

9.5 Troubleshooting

Problem	Possible Cause	Remedy
The bench grinder will not start.	The fuse is faulty or has blown.	Replace the fuse with a 5A time-delay fuse or circuit breaker.
	An electrical fault has occurred.	Contact Draper Tools for servicing.
The bench grinder vibrates when running.	One or more grinding wheels are loose.	Stop the tool immediately and tighten the wheel.
	The grindstone is out of balance.	Stop the tool immediately and dress the grindstone wheel to remove any grooves and uneven areas.
	One or more grinding wheels are damaged.	Stop the tool immediately and replace the wheels as appropriate.

10. Disposal

For spare parts, servicing, and repair and replacement options, please contact the Draper Tools Product Helpline for details of your nearest authorised agent.

Draper Tools will endeavour to hold any spare parts, if applicable, for seven years from the date that it sells the final matching stock item.

Any servicing or repairs carried out by unauthorised personnel or installation of spare parts not supplied by Draper Tools will invalidate your warranty.

At the end of its working life, dispose of the product responsibly and in line with local regulations. Recycle where possible.

DO NOT dispose of this product with domestic waste; most local authorities provide appropriate recycling facilities.



11. Explanation of Symbols



Read the instruction manual



Warning!



Do not incinerate or throw onto fire



Wear face mask, suitable eye/face protection and ear defenders.



Keep out of the reach of children



Rated input



Wheel diameter



Wheel bore



Wheel rotations per minute



Do not abandon in the environment



Keep out of the reach of children



Earthed



WEEE-

Waste Electrical & Electronic Equipment

Do not dispose of Waste Electrical & Electronic Equipment in with domestic rubbish



Continuous A-weighted sound power level



European conformity



UK Conformity Assessed

Contact Details

Draper Tools

Draper Tools Limited
Hursley Road
Chandler's Ford
Eastleigh
Hampshire
SO53 1YF
UK

Website: drapertools.com

Email: sales@drapertools.com

Product Helpline: +44 (0) 23 8049 4344

Telephone Sales Desk: +44 (0) 23 8049 4333

General Enquiries: +44 (0) 23 8026 6355

General Fax: +44 (0) 23 8026 0784

Delta International

Delta International BV
Oude Graaf 8
6002 NL
Weert
Netherlands

Please contact the Draper Tools Product Helpline for repair and servicing enquiries.