



CHAINSAW

LOG STAND

32273



These instructions accompanying the product are the original instructions. This document is part of the product, keep it for the life of the product passing it on to any subsequent holder of the product. Read all these instructions before assembling, operating or maintaining this product.

This manual has been compiled by Draper Tools describing the purpose for which the product has been designed, and contains all the necessary information to ensure its correct and safe use. By following all the general safety instructions contained in this manual, it will ensure both product and operator safety, together with longer life of the product itself.

All photographs and drawings in this manual are supplied by Draper Tools to help illustrate the operation of the product.

Whilst every effort has been made to ensure the accuracy of information contained in this manual, the Draper Tools policy of continuous improvement determines the right to make modifications without prior warning.

1. TITLE PAGE

INTRODUCTION:

USER MANUAL FOR: **Chainsaw Log Stand**

Stock No: 32273

Part No: AGP101

1.2 REVISIONS:

Date first published: May 2013

First revision date: March 2018

Second revision date: December 2023

As our user manuals are continually updated, users should make sure that they use the very latest version.

Downloads are available from: <http://drapertools.com/manuals>

Draper Tools Limited
Hursley Road
Chandler's Ford
Eastleigh
Hampshire
SO53 1YF
UK

Delta International
Delta International BV
Oude Graaf 8
6002 NL
Weert
Netherlands

Website: drapertools.com

Product Helpline: +44 (0) 23 8049 4344

General Fax: +44 (0) 23 8026 0784

1.3 UNDERSTANDING THIS MANUALS SAFETY CONTENT:

WARNING! – Information that draws attention to the risk of injury or death.

CAUTION! – Information that draws attention to the risk of damage to the product or surroundings.

1.4 COPYRIGHT © NOTICE:

Copyright © Draper Tools Limited.

Permission is granted to reproduce this publication for personal and educational use only. Commercial copying, redistribution, hiring or lending is prohibited.

No part of this publication may be stored in a retrieval system or transmitted in any other form or means without written permission from Draper Tools Limited.

In all cases this copyright notice must remain intact.

2. CONTENTS

2.1 CONTENTS

1. TITLE PAGE

1.1 INTRODUCTION	2
1.2 REVISION HISTORY	2
1.3 UNDERSTANDING THIS MANUAL.....	2
1.4 COPYRIGHT NOTICE.....	2

2. CONTENTS

2.1 CONTENTS.....	3
-------------------	---

3. INTRODUCTION

3.1 SCOPE	4
3.2 SPECIFICATION	4

4. HEALTH AND SAFETY INFORMATION

4.1 GENERAL SAFETY INSTRUCTIONS FOR LOG STANDS	5
--	---

5. TECHNICAL DESCRIPTION

5.1 IDENTIFICATION	6
--------------------------	---

6. UNPACKING AND CHECKING

6.1 PACKAGING	7
---------------------	---

7. OPERATION AND USE

7.1 SETTING UP THE LOG STAND	8
7.2 TIMBER POSITIONING.....	8
7.3 SECURING THE TIMBER	9
7.4 CUTTING THE TIMBER	9

8. MAINTENANCE

8.1 DISPOSAL.....	10
-------------------	----

9. DISPOSAL

9.1 MAINTENANCE	10
-----------------------	----

10. WARRANTY

10.1 WARRANTY.....	10
--------------------	----

11. EXPLANATION OF SYMBOLS

11.1 EXPLANATION OF SYMBOLS.....	11
----------------------------------	----

DECLARATION OF CONFORMITY ENCLOSED

3. INTRODUCTION

3.1 SCOPE

This log stand is a manually operated saw horse, designed to enable the efficient and safe sawing of logs and branches.

Its powder coated steel construction means it is suitable for home/DIY use or by professional arborists for the sole purpose of sawing timber up to 150kg in weight.

3.2 SPECIFICATION

Stock No.	32273
Part No.	AGP101
Max. log length	4M
Min. log diameter	50mm
Max. log diameter	250mm
Max. log weight	150kg
Dimensions (L x W x H)	1100 x 380 x 900mm
Weight (net:)	10.8kg
(gross:)	12kg

4. HEALTH AND SAFETY INFORMATION

4.1 GENERAL SAFETY INSTRUCTIONS FOR LOG STANDS



Warning!

- Please read the following instructions carefully and fully.
 - **Observe all safety precautions.**
 - **Non observance of safety precautions may result in injury or death.**
 - **Keep this manual safe for future reference.**
- Before using this log stand always check that all nuts and bolts are secure and that the log stand is not damaged or rusting.
- Read and observe the operating instructions of the chainsaw you are using and wear all recommended safety gear.
- When using this log stand there are steps that should be taken to make sure that you, as the user, remain safe. Common sense and a respect for the job in hand will help reduce the risk of injury.
 - Find a suitable location. Use the log stand on firm, level ground only.
Do not use on sloping or uneven ground.
 - After securing timber in the log stand, check the stability and balance before starting to cut. The log stand must not be able to tilt. Always cut in a downward direction. **NEVER cut in an upward direction.**
 - Only cut with the bottom of the chainsaw bar as the timber may otherwise shift away from the rotating chain, become unstable and increase the risk of personal injury.
 - Keep the work area tidy and clean. Clear and stack the sawn logs away from the log stand to keep the work area clear of obstructions and safety hazards.
 - Keep bystanders away. Children, onlookers and passers by must be restricted from entering the work area for their own protection.
 - Take care when handling and lifting this log stand. Dropping it will have an effect on the fixings and may also result in personal injury.
 - Only use the log stand for its intended use.
 - Care should be taken to avoid leaving it exposed to the elements as this could cause rusting which will weaken the product. Store in a dry location when not in use.

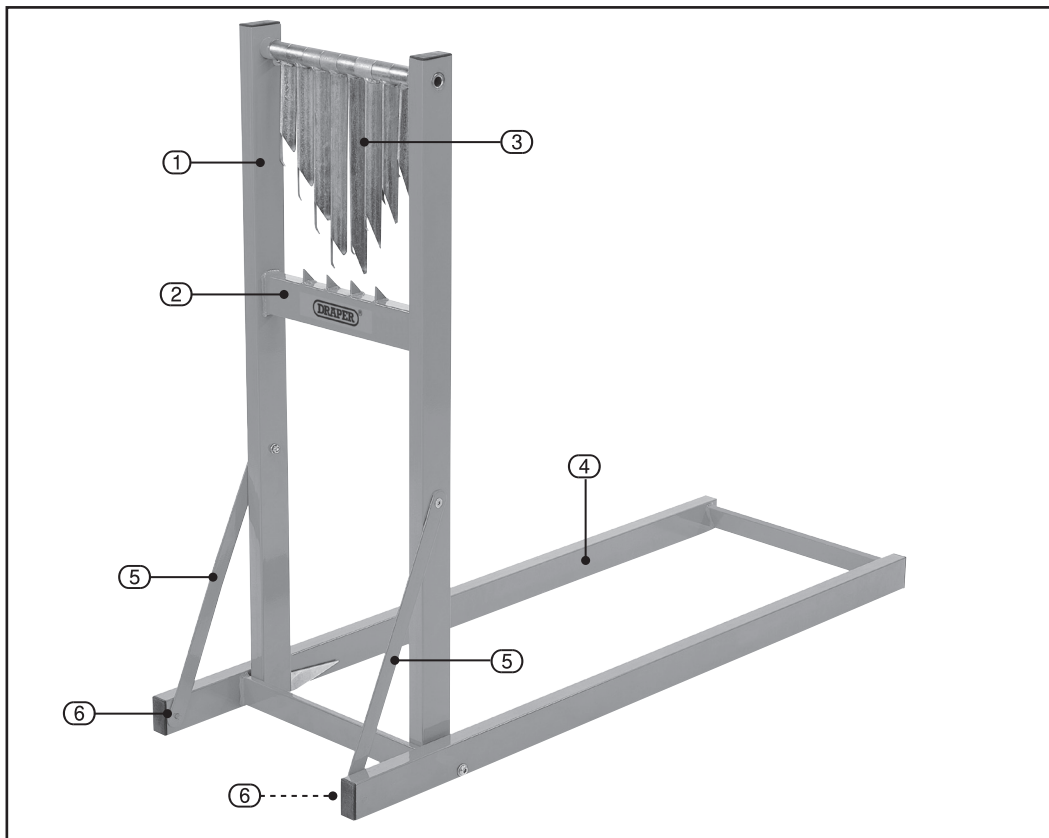


Warning!

- Wear face shield, safety shoes, ear protection and other appropriate PPE (Personal Protective Equipment) as specified by the chainsaw manufacturer.

5. TECHNICAL DESCRIPTION

5.1 IDENTIFICATION



- ① Log support frame.
- ② Cross bar.
- ③ Teeth.
- ④ Base.
- ⑤ Diagonal brace.
- ⑥ Brace pin.

6. UNPACKING AND CHECKING

6.1 PACKAGING

Carefully remove the product from the packaging and examine it for any sign of damage that may have happened during shipping. Lay the contents out and check them against the parts shown below. If any part is damaged or missing; please contact the Draper Helpline (the telephone number appears on the Title page) and do not attempt to use the product.

The packaging material should be retained at least during the guarantee period: in case the product needs to be returned for repair.



Warning!

- Some of the packaging materials used may be harmful to children. Do not leave any of these materials in the reach of children.
- If any of the packaging is to be thrown away, make sure they are disposed of correctly; according to local regulations.

7. OPERATION AND USE

7.1 SETTING UP THE LOG STAND – FIGS. 1 – 2

- Ensure that the ground on which you are placing the log stand is firm and level.
- With the log stand lying on the ground, lift the log support frame into the vertical position.

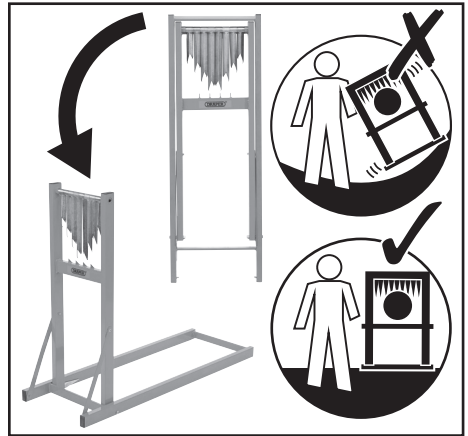


FIG.1

- Rotate the diagonal braces (5) from their stored position and fit the holes in the ends of the braces over the brace pins (6) on the inside of the forward part of the base (4).

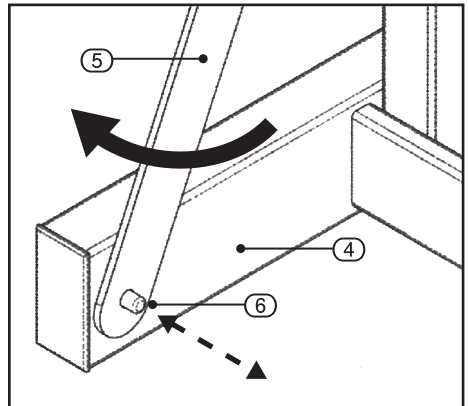


FIG.2

7.2 TIMBER POSITIONING – FIG. 3

- Insert the log through the teeth in the direction shown, until approximately 1/3 of the log length is forward of the log support frame.
- The log should be angled so that the short end of the log is slightly lower than the rear.

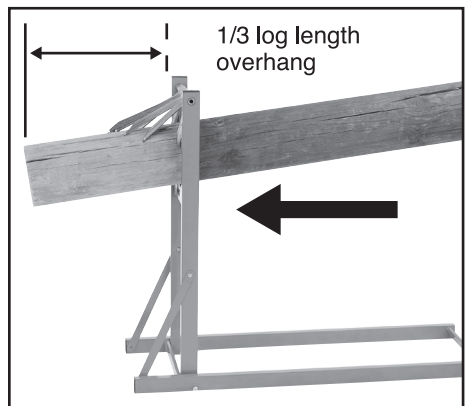


FIG.3

7. OPERATION AND USE

7.3 SECURING THE TIMBER – FIG. 4

- Rest the log on the lower teeth on the cross bar (2) and slowly release the weight so that the upper teeth engage with the log.
- The log should be approximately horizontal with 1/3 of its length forward of the log support frame.



Warning!

- With heavy and long logs, the weight of the log is sufficient to engage the teeth. Do not press down on the long overhanging end of the log as this may result in damage to the log stand.



FIG.4

7.4 CUTTING THE TIMBER – FIG.5

Begin by cutting the initial few logs from the long overhanging end of the log and cut successive logs so as to maintain the ratio of approximately 1/3 of the remaining length forward to the log support frame and 2/3 behind.



Warning!

- Always cut in a downward direction as shown.
- Check that the log is secure and the log stand is stable before beginning to cut.

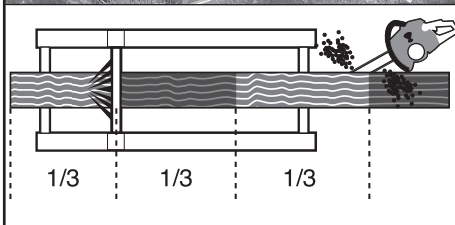


FIG.5

8. MAINTENANCE

8.1 MAINTENANCE

This log stand is load bearing, therefore it is essential to routinely check the fixings and overall condition of the steel work. Do not use the log stand if it exhibits any signs of fatigue or wear. Apply common sense and if in doubt, do not use it. Contact Draper Tools for further advice.

9. DISPOSAL

9.1 DISPOSAL

- At the end of the machine's working life, or when it can no longer be repaired, ensure that it is disposed of according to national regulations.
- Contact your local authority for details of collection schemes in your area.

10. WARRANTY

10.1 WARRANTY

Draper Tools products are carefully tested and inspected before shipment and are guaranteed to be free from defective materials and workmanship.

Should the tool develop a fault, return the complete tool to your nearest distributor or contact Draper Tools directly. Contact information can be found at the back of this manual.

Proof of purchase must be provided.

If, upon inspection, it is found that the fault occurring is due to defective materials or workmanship, repairs will be carried out free of charge. This warranty period covers parts and labour for 12 months from the date of purchase. Where tools have been hired out, the warranty period covers 90 days from the date of purchase.

This warranty does not apply to any consumable parts, batteries or normal wear and tear, nor does it cover any damage caused by misuse, careless or unsafe handling, alterations, accidents, or repairs attempted or made by any personnel other than the authorised Draper Tools repair agent.

In all cases, to make a claim for faulty workmanship or materials within the standard warranty period, please contact or return the product to the place of purchase. Proof of purchase may be required.

If the place of purchase is no longer trading or if you experience any difficulties with your warranty, please contact Customer Services with the product details and your proof of purchase. Contact details can be found at the back of this manual.

If the tool is not covered by the terms of this warranty, repairs and carriage charges will be quoted and charged accordingly.

This warranty supersedes any other guarantees expressed or implied and variations of its terms are not authorised.

Your Draper Tools guarantee is not effective until you can produce, upon request, a dated receipt or invoice to verify your purchase within the guarantee period.

Please note that this warranty is an additional benefit and does not affect your statutory rights.

Draper Tools Limited

11. EXPLANATION OF SYMBOLS

11.1 EXPLANATION OF SYMBOLS



Read the instruction manual.



Wear face shield.



Wear ear defenders.



Wear personal protective wear.



Wear protective footwear.



Wear safety helmet.



Do not abandon into the environment.



Keep out of the reach of children.



Warning!

CONTACT DETAILS

Draper Tools

Draper Tools Limited
Hursley Road
Chandler's Ford
Eastleigh
Hampshire
SO53 1YF
UK

Website: drapertools.com

Email: sales@drapertools.com

Product Helpline: +44 (0) 23 8049 4344

Telephone Sales Desk: +44 (0) 23 8049 4333

General Enquiries: +44 (0) 23 8026 6355

General Fax: +44 (0) 23 8026 0784

Delta International

Delta International BV
Oude Graaf 8
6002 NL
Weert
Netherlands

Please contact the Draper Tools Product Helpline for repair and servicing enquiries.