

EN

Original Instructions
Version 5 - March 2024



JET FORCE **DIESEL SPACE HEATERS**

32284, 32285, 32286, 32287, 53925, 53926



1. Preface

These are the original product instructions. This document is part of the product; retain it for the life of the product, passing it on to subsequent holders. Read this manual in full before attempting to assemble, operate, or maintain this product.

This Draper Tools manual describes the purpose of the product and contains all the necessary information to ensure its correct and safe use. Following all the instructions and guidance in this manual will ensure the safety of both the product and the operator and increase the lifespan of the product.

All photographs and drawings within this manual are supplied by Draper Tools to help illustrate correct operation of the product.

Every effort has been made to ensure the information contained in this manual is accurate. However, Draper Tools reserves the right to amend this document without prior warning. Always use the latest version of the product manual.

1.1 Product Reference

User Manual for: Diesel Space Heaters

Stock No: 32284, 32285, 32286, 32287, 53925, 53926.

Part No: DSH-1750, DSH-1250, DSH-750, DSH450, DSH-2150, DSH-751

1.2 Revisions

Version 1: June 2013
First release

Version 2: October 2013

Version 3: June 2014

Version 4: June 2016

Version 5: March 2024

As our manuals are continually updated, always ensure that the latest version is used.

For the latest version of this manual and the associated parts list, if applicable, please visit

drapertools.com/manuals

1.3 Understanding the Safety Content of This Manual



WARNING! – Situations or actions that may result in personal injury or death.



CAUTION! – Situations or actions that may result in damage to the product or surroundings.

Important: – Information or instructions of particular importance.

1.4 Copyright © Notice

Copyright © Draper Tools Limited.

Permission is granted to reproduce this manual for personal and educational use **ONLY**. Commercial copying, redistribution, hiring, or lending is strictly prohibited.

No part of this manual may be stored in a retrieval system or transmitted in any other form or means without written permission from Draper Tools Limited.

In all cases, this copyright notice must remain intact.

1. Preface	2	8. Maintenance and Troubleshooting	13
1.1 Product Reference	2	8.1 Fuel Tank	13
1.2 Revisions	2	8.2 Fan Blades & Filters Care & Servicing	13
1.3 Understanding the Safety Content of This Manual	2	8.3 Fuel Filter/Spark Plugs/Photocell Care & Servicing	13
1.4 Copyright © Notice	2	8.4 Troubleshooting	13
2. Contents	3	9. Spares, Returns and Disposal	14
3. Product Introduction	4	10. Warranty	14
3.1 Intended Use	4	11. Explanation of Symbols	15
3.2 Specification	4		
4. Health and Safety Information	5-7		
4.1 General Health and Safety Precautions	5		
4.2 Additional Safety information for this Heater	5		
4.3 Electrical Safety	6		
4.4 Health and Safety Information for the Use of Diesel and Kerosene Fuel	6		
4.5 Service	6		
4.6 Connection to the Power Supply	7		
5. Identification and Unpacking	8-9		
5.1 Product Overview	8		
5.2 What's in the Box?	9		
5.3 Packaging	9		
6. Preparing the Heater	10-12		
6.1 Handle Fitment (32286, 32297 & 53926)	10		
6.2 Handle & Wheel Fitment (32285 & 53926)	10		
6.3 Wheels (32284 & 53925)	10		
6.4 Fuels	11		
6.5 Fuelling Your Heater	11		
6.6 Ventilation	11		
7. Operating Instructions	12		
7.1 To Start Heater	12		
7.2 To Shut Down Heater	12		
7.3 To Restart Heater	12		
7.4 Fuel System	12		
7.5 The Safety System	12		
7.6 Storing, Transporting Or Shipping	12		
7.7 Draining The Fuel Tank	12		

3.1 Intended Use

This heater is fitted with electronic controls and designed to heat open and semi-open spaces through the combustion of Diesel and Kerosene fuels.

Any other application beyond the conditions established

for use will be considered misuse. Draper Tools accepts no responsibility for improper use of this product.

Read this manual in full before attempting to assemble, operate or maintain the product, and retain it for later use.


3.2 Specification

Stock No.	32284	32285	53925
Part No.	DSH1750	DSH1250	DSH2150
Motor:			
Rated voltage	230V~	230V~	230V~
Rated frequency	50Hz	50Hz	50Hz
Rated input	500W	330W	271W
Heat output	175,000 BTU/51kW	125,000 BTU/36kW	215,000 BTU/62kW
Air flow	508m ³ /Hr	480m ³ /Hr	1,100m ³ /Hr
Fuel	Diesel/Kerosene	Diesel/Kerosene	Diesel/Kerosene
Diesel consumption	5Ltrs/hr	3.6Ltrs/hr	6.2Ltrs/hr
Fuel tank capacity	50Ltr	40Ltr	50Ltr
Internal shut off temp.	80°C ±10°C	80°C ±10°C	80°C ±10°C
Reset Temp.	70°C ±10°C	70°C ±10°C	70°C ±10°C
Weight	31.1kg	26.8kg	32kg
Dimensions	1050 x 445 x 540mm	890 x 405 x 510mm	1030 x 430 x 550mm

Stock No.	32286	53926	32287
Part No.	DSH750	DSH751	DSH450
Motor:			
Rated voltage	230V~	230V~	230V~
Rated frequency	50Hz	50Hz	50Hz
Rated input	300W	300W	300W
Heat output	75,000 BTU/22kW	75,000 BTU/22kW	45,000 BTU/13kW
Air flow	399m ³ /Hr	399m ³ /Hr	205m ³ /Hr
Fuel	Diesel/Kerosene	Diesel/Kerosene	Diesel/Kerosene
Diesel consumption	2.1Ltrs/hr	2.1Ltrs/hr	1.3Ltrs/hr
Fuel tank capacity	20Ltr	20Ltr	20Ltr
Internal shut off temp.	80°C ±10°C	80°C ±10°C	80°C ±10°C
Reset Temp.	70°C ±10°C	70°C ±10°C	70°C ±10°C
Weight	16kg	14.5kg	15.7kg
Dimensions	800x 420 x 340mm	800 x 420 x 340mm	800 x 420 x 340mm

4. Health and Safety Information

4.1 General Health and Safety Precautions


 **WARNING!** Read all safety warnings and all instructions. Failure to follow the warnings and instructions may result in electric shock, fire and/or serious injury. Save all warnings and instructions for future reference.


- This appliance is not suitable for use by children and may not be used by persons with reduced physical, sensory or mental capabilities, or lack of experience or knowledge unless they are supervised or trained in the correct use of the device and fully understand the hazards involved.
 - **DO NOT** allow children to play with the appliance.
 - Cleaning and maintenance **MUST** be carried out by or under the supervision of experienced and knowledgeable persons.
- Observe all standard safety precautions and good practices when working with electrical equipment.
- Keep your work environment clear and well-lit, with bystanders at a safe distance.
- Inspect the product before every use for cracked, corroded or broken parts and any leakages.

 **WARNING! DO NOT** use this product if it is damaged or leaking in any way. Contact Draper Tools for repair and replacement options.

- Use the product only for intended purpose and as instructed in this manual.
- **DO NOT** attempt to disassemble or modify this product in any way.
- If the heater is not working properly. Switch off and disconnect the heater and move to a well-ventilated area **IMMEDIATELY**. Have the heater checked for correct operation by a qualified engineer before next use.
- If the supply cord is damaged, it must be replaced by Draper Tools or their authorised representative in order to avoid a hazard.
- **NEVER** abuse the power cord:
 - Unwind the power cord fully before connecting it to the power supply.
 - **NEVER** remove the plug from the power supply by pulling on the cord.
 - **DO NOT** move the product using the cord or plug.
 - Keep the power cord away from sources of heat, liquids, sharp edges and moving parts.
 - The power cord attached to this product is not suitable for use on building sites.


4.2 Additional Safety information for this Heater

 **WARNING! Improper use of this heater may result in serious injury or death from burns, fire, explosions, electrical shock and carbon monoxide poisoning.**

 **WARNING!** Only use this heater in well ventilated areas and ensure continuous ventilation is provided.

- This heater is intended for use in commercial/ industrial buildings where adequate ventilation is provided. **DO NOT** use this heater in small habitable areas that are occupied by individuals that are not capable of leaving the room on their own, unless constant supervision is provided.
- **DO NOT** use the heater in dusty environments.
- **DO NOT** expose this product to temperatures greater than 50°C.
- Position the heater on a firm and level surface during use and ensure that it is correctly and safely positioned.
- The heater must **ONLY** be used in its normal operating position.
- **ALWAYS** observe the correct clearances between the heater and surrounding objects:
 - **Outlet:** 2.5m (8ft)
 - **Sides, top and rear:** 1.25m (4ft)
- **DO NOT** position the heater near to curtains or other combustible materials that may move and come into contact with the heater.
- **DO NOT** position this heater in the vicinity of combustible materials, in explosive environments or in the presence of flammable or combustible gases and vapours.
- **DO NOT** position this heater below or pointing towards a power socket or outlet.
- **DO NOT** use the heater if the wheel assembly has been removed.
- Ensure that the power switch is in the 'OFF' (O) position before connecting the heater to the power supply.
- **ALWAYS** check that the heater is positioned safely before turning it on.
- **NEVER** leave the heater unattended while it is on under any circumstances.
- **NEVER** cover any part of the heater as this may cause the heater to overheat or the covering item to ignite or burn.
- **NEVER** insert foreign objects through the heat plate or other openings in the heater body.

- **NEVER** place objects on the engine while it is in use and keep all air vents clear of dust, dirt and other obstructions.

 **WARNING! Risk of shock!**

- **DO NOT** allow the heater to come into contact with water or any other liquid.
- **DO NOT** use this heater in the vicinity of a bath, shower, swimming pool or other body of water.
- **DO NOT** touch the heater with wet hands.

 **WARNING! Some parts of the product become extremely hot during use and may cause burns.**

- **DO NOT** touch any metal part of the heater other than the handle or wheels during or immediately after use.
- **DO NOT** touch or otherwise interfere with the fuel tank while the heater is in use or is still hot.
- **ALWAYS** switch off the heater, disconnect it from the power supply and allow it to cool for at least 20 minutes before attempting to move or reposition it.
- Particular attention **MUST** be given when children and vulnerable people are present.

4.3 Electrical Safety

- **ONLY** use this product with a power supply that matches the rated voltage of the heater.
 - **NEVER** use this heater with a multi-socket or plug adaptor; it must be plugged directly into the power supply.
 - **NEVER** plug more than one heater into the same power outlet.
 - **NEVER** allow the power cord to come into contact with other heated objects or direct the heater at the power cord or supply.
- Avoid body contact with earthed or grounded surfaces, such as pipes, radiators, ranges and refrigerators.
- **DO NOT** use this heater with a programmer, timer, separate remote-control system or any other device that switches the heater on automatically as it may be covered or positioned incorrectly when activated and pose a fire risk.


4.4 Health and Safety Information for the Use of Diesel and Kerosene Fuel


Important: ALWAYS read and understand the fuel product label before use.

- **ONLY** use clean Diesel or Kerosene fuel with this heater.

 **WARNING! DO NOT use fuels such as petrol, benzene, paint thinners or other oil compounds in this heater under any circumstances.**

- **NEVER** smoke in the vicinity of the machine, especially during refuelling.
- **NEVER** refuel the heater while it is switched on or is still hot.
- **ALWAYS** wear suitable protective gloves and other clothing during refuelling.
- **NEVER** transport the heater with fuel in the fuel tank; drain and store or dispose of all fuel responsibly before transporting the heater.
- **NEVER** start the engine if you can smell fuel vapour in the air.
 - If fuel vapour is present, wait for it to dissipate or move to a new location.
- The engine and fuel get hot during use.
 - **DO NOT** touch the engine during or immediately after use and allow it to cool before refuelling.
- **NEVER** remove the fuel cap while the engine is running or immediately after use.
 - Take care when opening the fuel cap after use as hot vapour may be released from the opening.
- Store all fuels in a cool, clean and dry environment, away from direct sunlight and out of reach of children.
 - Adhere to all local guidance relating to the correct storage of fuel.

 **WARNING! Diesel is a carcinogenic substance, and Kerosene is known to have health implications if handled improperly. Exercise extreme caution when transporting and storing fuel and during refuelling. Clean up spillages IMMEDIATELY and dispose of fuel responsibly and in accordance with local regulations.**

 **WARNING! Burning Diesel emits toxic carbon monoxide: a colourless and odourless gas. Breathing exhaust fumes can cause loss of consciousness, permanent respiratory damage and eventually death. ONLY operate this machine in a well-ventilated environment. NEVER use this heater in living or sleeping areas.**

4.5 Service

Have your heater serviced by a qualified repair person using only identical replacement parts. This will ensure that the safety of the heater is maintained.

4.6 Connection to the Power Supply

This appliance is supplied with an approved plug and cord for your safety.

If the power supply cord is damaged, it must be replaced by Draper Tools, an authorised service agent or similarly qualified personnel in order to avoid a hazard.

The damaged or incomplete plug, when cut from the cord, shall be disabled to prevent connection to a live electrical outlet.

This product is Class I† and is designed for connection to a power supply matching that detailed on the rating label and compatible with the plug fitted.

Where a BS-approved three-pin plug is installed, the value of the fuse fitted is marked on the pin face of the plug. Should the fuse need replacing, ensure the substitute is of the correct rating, approved to BS 1363/A and ASTA or BS Kite marked. This should only be performed by suitably qualified personnel.

ASTA 

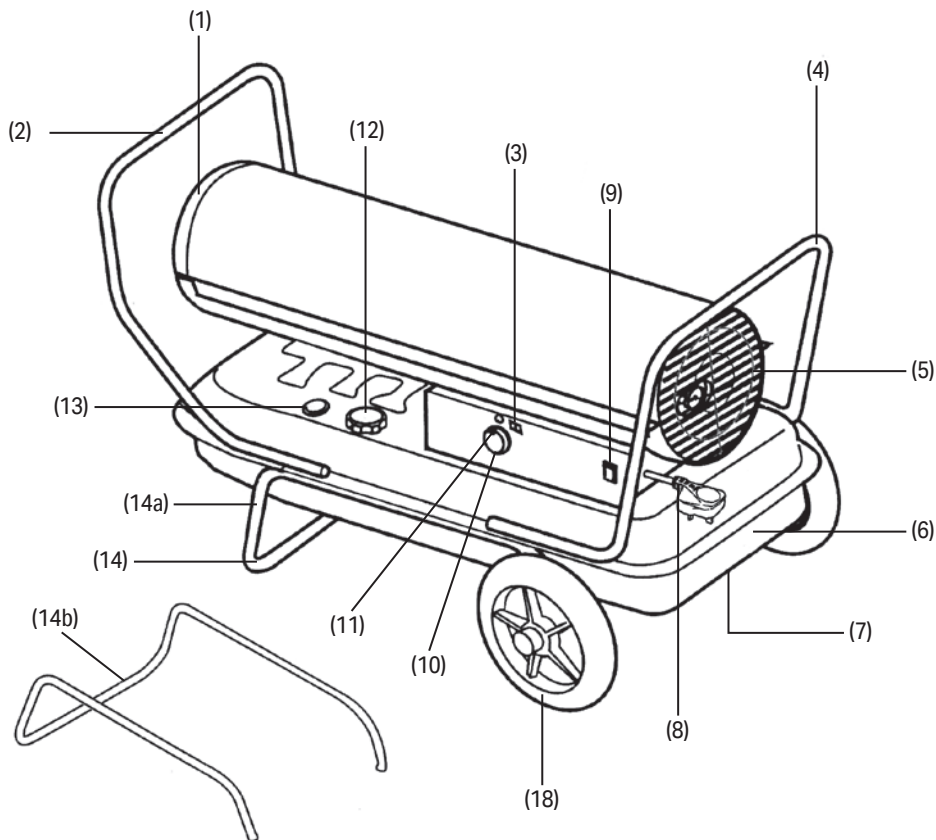
BSI 

- If an extension lead is required, use an approved and compatible lead rated for this appliance. Follow all the instructions supplied with the extension lead.

†**Earthed:** This product requires an earth connection to protect against electric shock from accessible conductive parts in the event of a failure of the basic insulation.

5.1 Product Overview

32284 shown



- | | |
|---------------------------------|-------------------------|
| (1) Hot air outlet | (9) Power switch |
| (2) Handle (front) | (10) Thermostat control |
| (3) Digital Temperature display | (11) Indicator lamp |
| (4) Handle (rear) | (12) Fuel cap |
| (5) Fan guard | (13) Fuel gauge |
| (6) Fuel tank | (14) Leg frame |
| (7) Drain plug | (14a) 32284, 53925 |
| (8) Power cord | (14b) 32285, 53926 |

Please visit drapertools.com for our full range of accessories and consumables.

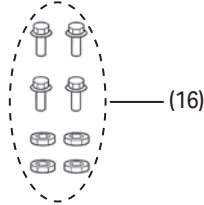
5.2 What's in the Box?

Carefully remove the product from the packaging and examine it for any sign of damage that may have happened during shipping. Lay the contents out and check them against the parts list provided. If any part is

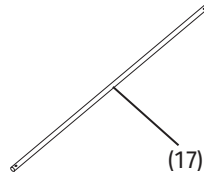
damaged or missing; please contact the Draper Helpline (the telephone number appears on the Title page) and do not attempt to use the product.



(15)



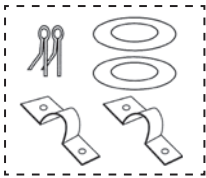
(16)



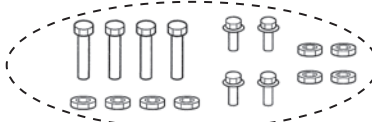
(17)



(18)



(19)



(20)



(21)

Wheel & Frame Kit (Supplied with 32284, 32285, 53925, 53926)

- (15) Leg frame bracket (32284 & 53925)
- (16) Fixing kit
- (17) Axle
- (18) Wheels

- (19) Wheel fixing kit
- (20) Handle fixing kit
- (21) Carrying handle (32286, 32287, 53926)

5.3 Packaging

The packaging material should be retained at least during the guarantee period: in case the heater needs to be returned for repair.

If any of the packaging is to be thrown away, make sure they are disposed of correctly; according to local regulations.

 **Warning! Some of the packaging materials used may be harmful to children. Do not leave any of these materials in the reach of children.**

6. Preparing the Heater

6.1 Handle Fitment (32286, 32287 & 53926) – Fig. 1

1. Align the holes in the upper housing with the two mounting holes on the handle.
2. Fit the handle (21) securely using the screws supplied.

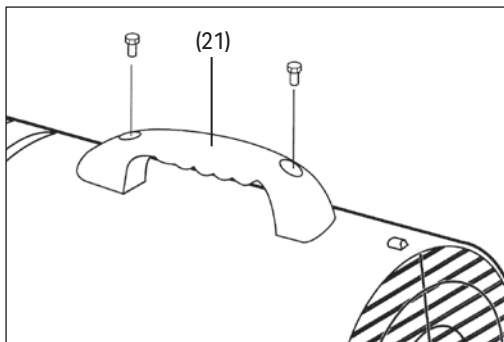


Fig.1

6.2 Handle & Wheel Fitment (32285 & 53926) – Fig. 2 & 3

1. Slide the axle (17) through the leg frame (14b).
 2. Push the wheels (18) onto the axle (17). The protruding hub goes on the inside.
 3. Fit the washer (19.1) to hold the wheel in place and secure with the split pin (19.2).
- NOTE: Bend the ends of the pin to prevent it from falling out during use.
4. Align the heater with the leg frame (14b).
- NOTE: The air inlet should be positioned over the wheels.
5. Align the front (2) and rear (4) handles.
 6. Use four of the bolts and nuts (20) to sandwich the upper handle, fuel tank lip and leg frame. Then use the remaining bolts and nuts to attach the handles to the fuel tank lip.

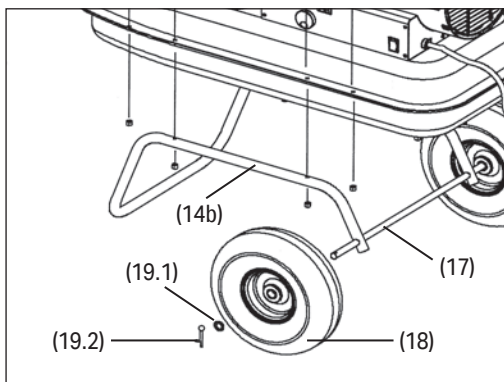


Fig.2

6.3 Wheels & Leg Frame (32284 & 53925)

1. Centralise the axle (17) before clamping it to the underside of the fuel tank with brackets (19).
2. Secure with the nuts and bolts (16) provided.
3. Follow steps 2 and 3 in Section 6.2 to complete the wheel assembly.
4. Align the heater with the leg frame (14a) and brackets (15). Use the bolts and screws supplied to secure.

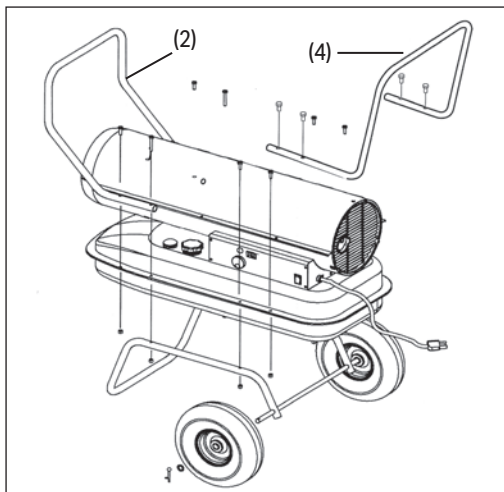



Fig.3

6.4 Fuels

- Use only standard clean Diesel or Kerosene heater oil according to EN 267.
- **IMPORTANT:** Ensure the fuel tank is clean. Foreign matter such as rust, dirt, or water will cause the ignition control assembly to shut down the heater. Foreign matter may also require the heater's fuel system to be frequently cleaned.
- **NOTE:** Diesel or Kerosene should only be stored in a black container that is clearly marked 'Diesel or Kerosene'. Never store Diesel or Kerosene in a red container. Red is associated with petrol.
- **NEVER** store Diesel or Kerosene in the living space. Diesel or Kerosene should be stored in a well-ventilated area outside the living area.
- **NEVER** use old Diesel or Kerosene as it will deteriorates over time and not burn properly in this heater.

6.5 Fuelling Your Heater

- Always fill the heater fuel tank outdoors.
 - Do not overfill your heater and be sure heater is level.
-  **WARNING!** Do not fill the fuel tank while the heater is running.
- **DO NOT use or fill the heater without the fuel filter fitted.** The filter will prevent contaminants getting into the tank and clogging the nozzle.


6.6 Ventilation

 **CAUTION!** Risk of indoor air pollution. **DANGER OF DEATH.** Use heater only in well ventilated areas.

- Provide a fresh air opening of at least three square feet (2,800 sq. cm) for each 30,000 kcal/Hr. rating. Provide extra fresh air if more heaters are being used.

Example: A heater requires one of the following:

- A two-car garage door raised six inches (15.24 cm).
- A single-car garage door raised nine inches (22.86 cm).
- Two, thirty inch (76.20 cm) windows raised fifteen inches (38.1 cm).

 **WARNING!** Never try to use the heater for the purpose of heating residential rooms.

7.1 To Start Heater

1. Fill fuel tank with appropriate fuel.
2. Fit the fuel cap.
3. Plug the power cord into mains supply.
 - Extension Cable Wire Size Requirements:
 - 6 to 10 feet (1.8 to 3 metres) long, use 1.0mm gauge cable.
 - 11 to 100 feet (3.4 to 30.53 metres) long, use 1.3mm gauge cable.
 - 101 to 200 feet (30.8 to 61 metres) long, use 1.6mm gauge cable.
4. Turn 'THERMOSTAT CONTROL' (10) to desired setting and press power switch to '**ON**' position. The power indicator lamp (11) will light up and the heater will start.

If heater does not start, the thermostat setting may be too low. Turn 'THERMOSTAT CONTROL' (10) to a higher position to start heater. If heater still does not start, turn power switch to '**OFF**' and then to '**ON**' position.

7.2 To Shut Down Heater

Turn power switch to '**OFF**' and unplug power cable.

7.3 To Restart Heater

- Wait 10 seconds after stopping heater.
- Repeat steps under, 'TO START HEATER.'

7.4 Fuel System

This heater is equipped with an electric air pump that forces air through the air line connected to the fuel intake, and then through a nozzle in the burner head. When air passes in front of the fuel intake, it causes fuel to rise from the tank and into the burner nozzle.

This fuel and air mixture is then sprayed into the combustion chamber in a fine mist.

The electronic ignitor sends voltage to a specially designed spark plug. The spark plug ignites the fuel and air mixture.

The heavy duty motor turns a fan that forces air into and around the combustion chamber where, the air is heated and then forced out the front of the heater.

7.5 The Safety System

Temperature Limit Control: Designed to turn the heater off should the internal temperature rise to an unsafe level. If this device activates and turns your heater off, it may require service.

Once the temperature falls below the reset temperature, you will be able to start your heater.

Electrical System Protection: Electrical system is protected by a fuse mounted to the PCB Assembly that protects it and other electrical components from damage. If your heater fails to operate, have this fuse checked first and replace as needed.

Flame-Out Sensor: Utilises a photocell to monitor the flame in the burner chamber during normal operation. It will cause the heater to shut off should the burner flame extinguish.

7.6 Storing, Transporting Or Shipping



CAUTION: Fuel tank MUST be empty before shipping or transportation.

7.7 Draining The Fuel Tank

Place a suitable sized container under the drain plug (7) and remove the plug to drain the fuel. Remove the fuel cap (12) to assist the removal of the fuel.

If any debris is noted in old fuel, add 1 or 2 litres of clean fuel into the tank, wash around and drain again. This will prevent excess debris from clogging the filters during future use.

Replace both the fuel can and drain plug. Properly dispose of old and dirty fuel in line with local disposal regulations.

DO NOT dispose of old fuel into a main drains - this is illegal.

Before storing, drain the fuel tank empty and clean the heater as described in the maintenance section. Store the heater in a dry place away from children. Make sure the storage place is free of dust and corrosive fumes.



WARNING: Do not carry out any maintenance or servicing when the heater is hot, fan is still running, or the power supply is connected.

Important: it is recommended that your heater is serviced at least once a year by a qualified repair

8.1 Fuel Tank

Flush every 200 hours of operation or as needed.

8.2 Fan Blades & Filters Care & Servicing

The fan blades, air intake, output and lint filters should be inspected and replaced every 500 hours of operation or once a year. This should be carried out by suitably qualified personnel. Contact Draper Tools to discuss servicing options.

8.4 Troubleshooting

The heater is preprogrammed with a number of error codes that may be shown on the digital display (1).

Error code	Error type	Possible cause	Remedy
None	Operator error	The power switch is moved to the 'ON' position before the heater is connected to the power supply.	Disconnect the heater from the power supply, move the power switch to the 'OFF' position, then reconnect the heater.
E1	Photocell error	There is no fuel in the fuel tank.	Switch off and disconnect the heater, then refill the fuel tank.
		The fuel is contaminated or dirty.	Drain and refill the fuel tank; see 7.7.
		The fuel filter is dirty or blocked.	Clean or replace the filter; see 8.3.
		The photocell is dirty or faulty.	Have the photocell cleaned or replaced. Contact Draper Tools for support.
E2	Temperature control sensor error	The ignition has failed.	Contact Draper Tools for support.
		The control sensor cable is damaged or disconnected.	Contact Draper Tools for repair and replacement options.
		The temperature control sensor is damaged or faulty.	Contact Draper Tools for repair and replacement options.
Hi	Temperature conditions	The current ambient temperature is higher than 50°C.	If this temperature assessment is correct, the heater is functioning normally. Otherwise, contact Draper Tools for repair and replacement options.
		The current ambient temperature is greater than 50 °C.	The ambient temperature is outside of the operating temperatures of this heater.
Lo		The current ambient temperature is less than -9°C.	The ambient temperature is outside of the operating temperatures of this heater.
CN		Continuous operation.	The heater is functioning normally.

person using only identical replacement parts. This will ensure that the safety of the heater is maintained. For aftersales servicing or warranty repairs enquires, contact the Draper Tools Helpline for assistance – contact details can be found on the back of this manual.

8.3 Fuel Filter/Spark Plug/Photocell Care & Servicing

- The heater should be inspected at least once a year by suitably qualified personnel. The fuel filter, spark plug, and photocell should be checked, cleaned and replaced where necessary.
- Contact Draper Tools to discuss servicing options.
- In the event that incorrect or contaminated fuel is used in the heater, the fuel must be replaced immediately.

9. Spares, Returns and Disposal

EN

For spare parts, servicing, and repair and replacement options, please contact the Draper Tools Product Helpline for details of your nearest authorised agent.

Draper Tools will endeavour to hold any spare parts, if applicable, for seven years from the date that it sells the final matching stock item.

Any servicing or repairs carried out by unauthorised personnel or installation of spare parts not supplied by Draper Tools will invalidate your warranty.

Important: For safety, **ALWAYS** drain and clean the product of any oil, fuel, chemicals or other substances before returning it to Draper Tools or its authorised agent. Store these materials in suitable containers and dispose of them in accordance with local regulations. Draper Tools and its agents cannot be responsible for the disposal of these substances.

At the end of its working life, dispose of the product responsibly and in line with local regulations. Recycle where possible.

- **DO NOT** dispose of this product with domestic waste; most local authorities provide appropriate recycling facilities.
- **DO NOT** burn or incinerate the product after use.
- Dispose of diesel and kerosene separately and in accordance with local regulations; **DO NOT** abandon it in the environment.



10. Warranty

EN

Draper Tools products are carefully tested and inspected before shipment and are guaranteed to be free from defective materials and workmanship.

Should the tool develop a fault, return the complete tool to your nearest distributor or contact Draper Tools directly. Contact information can be found at the back of this manual.

Proof of purchase must be provided.

If, upon inspection, it is found that the fault occurring is due to defective materials or workmanship, repairs will be carried out free of charge. This warranty period covers parts and labour for 12 months from the date of purchase. Where tools have been hired out, the warranty period covers 90 days from the date of purchase.

This warranty does not apply to any consumable parts, batteries or normal wear and tear, nor does it cover any damage caused by misuse, careless or unsafe handling, alterations, accidents, or repairs attempted or made by any personnel other than the authorised Draper Tools repair agent.

In all cases, to make a claim for faulty workmanship or materials within the standard warranty period, please contact or return the product to the place of purchase. Proof of purchase may be required.

If the place of purchase is no longer trading or if you experience any difficulties with your warranty, please contact Customer Services with the product details and your proof of purchase. Contact details can be found at the back of this manual.

If the tool is not covered by the terms of this warranty, repairs and carriage charges will be quoted and charged accordingly.

This warranty supersedes any other guarantees expressed or implied and variations of its terms are not authorised.

Your Draper Tools guarantee is not effective until you can produce, upon request, a dated receipt or invoice to verify your purchase within the guarantee period.

Please note that this warranty is an additional benefit and does not affect your statutory rights.

Draper Tools Limited

11. Explanation of Symbols



Read the instruction manual



Warning!



Danger of electric shock



Rated voltage



Rated input



Do not cover



Do not incinerate or throw onto fire



Do not abandon in the environment



Product weight



Class I appliance



WEEE -

Waste Electrical & Electronic Equipment
Do not dispose of this product with domestic waste



UK Conformity Assessed



European Conformity

Contact Details

Draper Tools

Draper Tools Limited
Hursley Road
Chandler's Ford
Eastleigh
Hampshire
SO53 1YF
UK

Website: drapertools.com

Email: sales@drapertools.com

Product Helpline: +44 (0) 23 8049 4344

Telephone Sales Desk: +44 (0) 23 8049 4333

General Enquiries: +44 (0) 23 8026 6355

General Fax: +44 (0) 23 8026 0784

Delta International

Delta International BV
Oude Graaf 8
6002 NL
Weert
Netherlands

Please contact the Draper Tools Product Helpline for repair and servicing enquiries.