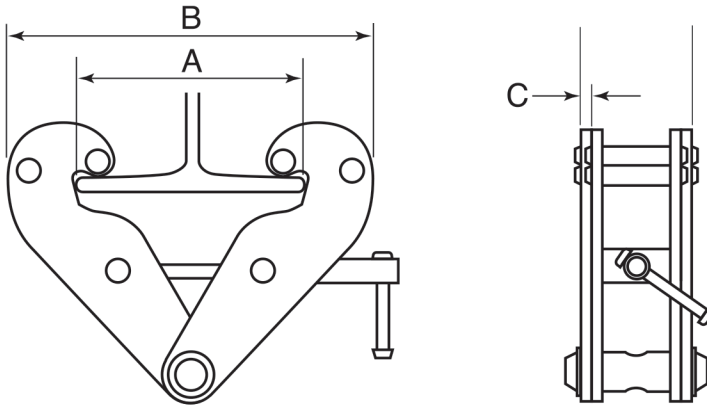


48344 - BC1000
 48346 - BC2000
 48347 - BC3000
 48348 - BC5000

OPERATION AND USE

Note: For details of our full range of accessories and consumables, please visit drapertools.com

Stock No.	Safe Working Load	Adjustable Beam Width	Girder Beam Width A (MAX.)	Girder Beam Width B (MIN.)	Girder Beam Width B (MAX.)	Steel Plate Width C
48344	1000kg	75-220mm	260mm	180mm	360mm	4.8mm
48346	2000kg	75-220mm	260mm	180mm	360mm	5.5mm
48347	3000kg	80-320mm	354mm	235mm	480mm	7.5mm
48348	5000kg	80-320mm	354mm	235mm	480mm	9.5mm



SAFETY INSTRUCTIONS

Always ensure that the load to be slung does not exceed the rated capacity of the equipment being used. Also ensure that the structure to which the trolley or winch is attached meets or exceeds the safety parameters which are specified by the HSE. Do not allow the load to swing during operation and do not subject winches, pulleys, beam clamps and straps to shock loads.