

DRAPER

EN

Original Instructions
Version 2: August 2025

12V DC DIESEL/WATER
**TRANSFER
PUMP**

54044



**UK
CA** **CE**

1. Product Introduction

Read this manual in full before using this product and retain it for future use.
Always use the latest version of the manual. Please visit drapertools.com/manuals for the latest version.

1.1 Intended Use

This self-priming pump is designed to transfer diesel fuel or water and is powered by a 12V DC battery.

Any other application beyond the conditions established for use will be considered misuse. Draper Tools accepts no responsibility for improper use of this product.

1.2 Specification

Stock No.	54044
Part No.	BWP13
Rated input:	12V DC battery
Maximum flow rate:	30L/min
Usage:	Diesel fuel or water only
Power cord length (approx.):	3M
Dimensions (Dia X Ht):	51mm X 180mm
Net weight:	570g

Important: Read all the Health and Safety instructions before attempting to operate, maintain or repair this product. Failure to follow these instructions may result in injury or damage to the user or the product



WARNING! DO NOT use with petrol, alcohol, bio diesel or any other flammable liquids or fuel.

- Only connect to a suitable 12V vehicle battery using the clamps and lead supplied.
- **ALWAYS** switch off and disconnect the clamps from the battery supply before carrying out any cleaning, adjustments or maintenance of the pump.
- **DO NOT** operate this pump in explosive atmospheres or near to flammable materials or vapours.
- **ALWAYS** wear oil-resistant gloves while using this product and wash your hands thoroughly with soapy water after use.
 - **DO NOT** operate the pump with wet hands.
- **ALWAYS** wear suitable eye protection when using this product.
- Keep your work environment clear and well-lit, with bystanders at a safe distance.
- Keep out of the reach of children.
- Before every use, inspect the pump for missing, broken, loose or corroded parts. **DO NOT** use this product if it is damaged in any way. Contact Draper Tools to discuss repair and replacement options.
- Use the product only in the manner instructed in this manual.
 - Use this manual in conjunction with the battery manufacturer's recommended instructions and follow the safety warnings supplied.
 - **ONLY** use this pump to transfer diesel fluids or water.
 - **DO NOT** attempt to pump petrol; explosive, corrosive or flammable liquids; or any other substance using this product.
- **DO NOT** modify this product in any way.
- Use this pump **ONLY** in well-ventilated areas to prevent the build-up of diesel fumes.
- **ALWAYS** position the pump on a firm and level surface close to the source tank.
- **NEVER** run the pump if there is no fluid to be transferred.
- **NEVER** leave the pump running unattended.
- **NEVER** attempt to move the pump or loosen or adjust the hose connections during operation.
- **NEVER** carry or lift the pump by the power cord.
- **DO NOT** use this pump if the clamp or leads are damaged or worn.
- **NEVER** reverse the polarity of the battery connectors.
- **NEVER** switch the pump on or off by connecting or disconnecting the power supply.
 - **ALWAYS** ensure that the **ON/OFF** switch is in the **'OFF'** position when connecting or disconnecting the power supply.
- Clean diesel spillages **IMMEDIATELY** to prevent slips and pollution.
- **NEVER** attempt to extinguish a diesel fire using water.
 - Use a foam, CO2 or dry powder extinguisher to tackle diesel fire.
- **NEVER** smoke in the vicinity of this product or expose it to sources of heat or open flames.
- If diesel comes into contact with your eyes, rinse them immediately with plenty of cool, running water and seek medical attention at the earliest opportunity.
- If diesel is swallowed, seek medical attention immediately.
- When not in use store the pump empty of any residual fluids.

4. Identification and Unpacking

4.1 Product Overview

Carefully remove the product from the packaging and examine it for any signs of damage that may have occurred during shipment. If any part is damaged or

missing, do not attempt to use the product. Please contact the Draper Helpline; contact details can be found at the back of this manual.



- (1) Main pump body
- (2) Support feet
- (3) Outlet
- (4) Power cord
- (5) **ON/OFF** power switch

- (6) Battery terminal clamps and leads
- (7) 2 X Hose clips
- (8) Hose joining tube
- (9) 3M Hose

5. Connection to the Power Supply

- Before connecting the pump to a 12V DC battery, ensure that the **ON/OFF** switch (5) is in the '**OFF**' position.
- Connect the black clamp to the negative (-) terminal of your battery first, followed by the red positive clamp to the positive (+) terminal.

5.1 Operation - (Fig. 1 - Fig.2)

- Connect the hose (9) to the pump using the hose clips (7) to secure.
- The pump should be used standing vertically in the liquid to be pumped (see Fig. 1).
- If the liquid is clean with no debris the pump can be placed at the bottom of the container and pumping can commence (see Fig.2).
- If there is any debris in the liquid to be pumped place the pump on a stable level surface, positioned to avoid the pump sucking up any debris and potentially damaging or jamming the pump.
- Once the pump is positioned in the liquid, ensure the battery is located on a safe, stable and level surface away from the liquid that is being pumped.
- Care must be taken to ensure that the power **ON/OFF** switch is positioned where it cannot get wet and the liquid does not interfere with its operation.

 **CAUTION!**

- **ALWAYS** monitor the fluid level during operation.
- Failure to monitor the fluid level can result in an insufficient fluid level for pumping to continue, resulting in damage to the pump and motor.
- The minimum fluid level required for pumping is 40mm.

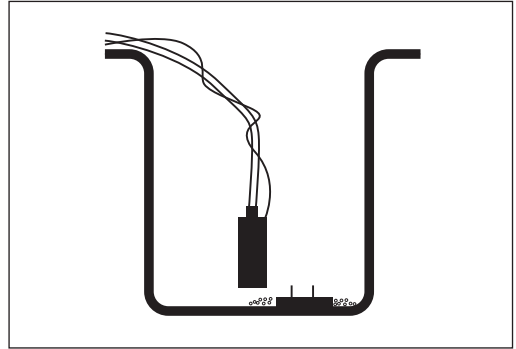


Fig. 1

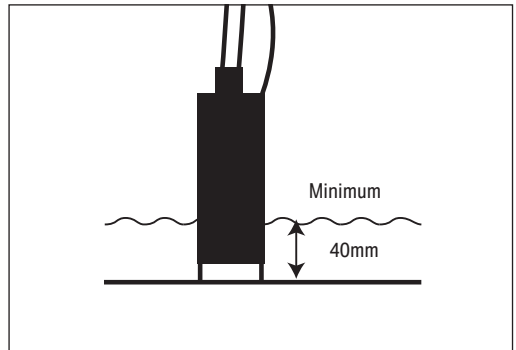


Fig. 2

Please visit drapertools.com for our full range of accessories and consumables.

6. Maintenance, Storage and Disposal

EN

Important: ALWAYS switch off and remove the clamps from the battery power supply before carrying out any cleaning or maintenance on this product. All maintenance should be carried out by authorised and suitably qualified personnel.

- After each use the pump and hose should be completely drained of fluids and allowed to dry prior to storage.
- The pump body should be cleaned with water and a cloth and the clamp leads inspected for damage before storing.
- When storing the kit lightly coat the hose clips in oil to prevent rusting.
- After use with diesel fuel, it is advisable to run the pump in clean water for a few minutes to flush any residue from the pump.

Important: For safety, **ALWAYS** drain and clean the product of any oil, fuel, chemicals or other substances before returning it to Draper Tools or its authorised agent. Store these materials in suitable containers and dispose of them in accordance with local regulations. Draper Tools and its agents cannot be responsible for the disposal of these substances.

At the end of its working life, dispose of the product responsibly and in line with local regulations. Recycle where possible.

- **DO NOT** dispose of this product with domestic waste; most local authorities provide appropriate recycling facilities.
- **DOT NOT** incinerate.
- Dispose of diesel separately and in accordance with local regulations; **DO NOT** abandon it in the environment.



7. Warranty

EN

Warranty is 12 months from date of purchase. Visit drapertools.com/warranty for more information.



Read the instruction manual



Warning!



Do not incinerate or throw onto fire



Do not abandon in the environment



Wear face mask and safety glasses



WEEE –

Waste Electrical & Electronic Equipment

Do not dispose of Waste Electrical & Electronic Equipment
in with domestic rubbish



European conformity



UK Conformity Assessed

Contact Details

Draper Tools

Draper Tools Limited
Hursley Road
Chandler's Ford
Eastleigh
Hampshire
SO53 1YF
UK

Website: drapertools.com

Email: sales@drapertools.com

Product Helpline: +44 (0) 23 8049 4344

Telephone Sales Desk: +44 (0) 23 8049 4333

General Enquiries: +44 (0) 23 8026 6355

Draper Tools Europe B.V.

Oude Graaf 8
6002 NL
Weert
Netherlands

Please contact the Draper Tools Product Helpline for repair and servicing enquiries.