



DRAPER[®]

230V* / 110V 14kg

HEX BREAKER

56409* / 75737



These instructions accompanying the product are the original instructions. This document is part of the product, keep it for the life of the product passing it on to any subsequent holder of the product. Read all these instructions before assembling, operating or maintaining this product.

This manual has been compiled by Draper Tools describing the purpose for which the product has been designed, and contains all the necessary information to ensure its correct and safe use. By following all the general safety instructions contained in this manual, it will ensure both product and operator safety, together with longer life of the product itself.

All photographs and drawings in this manual are supplied by Draper Tools to help illustrate the operation of the product.

Whilst every effort has been made to ensure the accuracy of information contained in this manual, the Draper Tools policy of continuous improvement determines the right to make modifications without prior warning.

1. TITLE PAGE

1.1 INTRODUCTION:

USER MANUAL FOR: 230V* / 110V 1500W 14kg Hex Breaker

Stock No: 56409* / 75737

Part No: HXBKR1500D* / HXBKR1500D110

1.2 REVISIONS:

Date first published January 2019.

As our user manuals are continually updated, users should make sure that they use the very latest version.

Downloads are available from: <http://drapertools.com/manuals>

Draper Tools Limited

Hursley Road

Chandler's Ford

Eastleigh

Hampshire

SO53 1YF

UK

Website: drapertools.com

Product help line: +44 (0) 23 8049 4344

General Fax: +44 (0) 23 8026 0784

1.3 UNDERSTANDING THIS MANUALS SAFETY CONTENT:

WARNING! – Information that draws attention to the risk of injury or death.

CAUTION! – Information that draws attention to the risk of damage to the product or surroundings.

1.4 COPYRIGHT © NOTICE:

Copyright © Draper Tools Limited.

Permission is granted to reproduce this publication for personal and educational use only. Commercial copying, redistribution, hiring or lending is prohibited.

No part of this publication may be stored in a retrieval system or transmitted in any other form or means without written permission from Draper Tools Limited.

In all cases this copyright notice must remain intact.

2. CONTENTS

1. TITLE PAGE	
1.1 INTRODUCTION.....	2
1.2 REVISION HISTORY	2
1.3 UNDERSTANDING THIS MANUAL	2
1.4 COPYRIGHT NOTICE	2
2. CONTENTS	
2.1 CONTENTS.....	3
3. WARRANTY	
3.1 WARRANTY.....	4
4. INTRODUCTION	
4.1 SCOPE.....	5
4.2 SPECIFICATION	5
4.3 HANDLING AND STORAGE	5
5. HEALTH AND SAFETY INFORMATION	
5.1 GENERAL SAFETY INSTRUCTIONS FOR POWER TOOL USE	6-7
5.2 ADDITIONAL SAFETY INSTRUCTIONS FOR HEX BREAKER.....	7-8
5.3 RESIDUAL RISK	8
5.4 CONNECTION TO THE POWER SUPPLY	8
6. TECHNICAL DESCRIPTION	
6.1 IDENTIFICATION	9
7. UNPACKING AND CHECKING	
7.1 PACKAGING	10
7.2 WHAT'S IN THE BOX	10
8. PREPARING THE HEX BREAKER	
8.1 USING THE ADJUSTABLE AUXILIARY HANDLE	11
8.2 LUBRICATION OIL LEVEL	12
8.3 FILLING THE OIL RESERVOIR.....	12
8.4 FITTING AND CHANGING BITS	13
8.5 CHECKING AND FITTING OF CARBON BRUSHES	14
9. MAINTENANCE & TROUBLESHOOTING	
9.1 MAINTENANCE	15
9.2 TROUBLESHOOTING	15
10. OPTIONAL ACCESSORIES	
10.1 OPTIONAL ACCESSORIES.....	16
11. DISPOSAL	
11.1 DISPOSAL	16
12. EXPLANATION OF SYMBOLS	
12.1 EXPLANATION OF SYMBOLS	17
DECLARATION OF CONFORMITY	ENCLOSED

3. WARRANTY

3.1 WARRANTY

Draper tools have been carefully tested and inspected before shipment and are guaranteed to be free from defective materials and workmanship.

Should the tool develop a fault, please return the complete tool to your nearest distributor or contact

Draper Tools Limited, Chandler's Ford, Eastleigh, Hampshire, SO53 1YF. England.

Telephone Sales Desk: (023) 8049 4333 or Product Help Line (023) 8049 4344.

A proof of purchase **must** be provided with the tool.

If upon inspection it is found that the fault occurring is due to defective materials or workmanship, repairs will be carried out free of charge. This warranty period covering labour is 12 months from the date of purchase except where tools are hired out when the warranty period is 90 days from the date of purchase. The warranty is extended to 24 months for parts only. This warranty does not apply to any consumable parts, any type of battery or normal wear and tear, nor does it cover any damage caused by misuse, careless or unsafe handling, alterations, accidents, or repairs attempted or made by any personnel other than the authorised Draper warranty repair agent.

Note: If the tool is found not to be within the terms of warranty, repairs and carriage charges will be quoted and made accordingly.

This warranty applies in lieu of any other warranty expressed or implied and variations of its terms are not authorised.

Your Draper warranty is not effective unless you can produce upon request a dated receipt or invoice to verify your proof of purchase within the warranty period.

Please note that this warranty is an additional benefit and does not affect your statutory rights.

Draper Tools Limited.

4. INTRODUCTION

4.1 SCOPE

This hex breaker is designed to break concrete or similar materials. As part of our core range, this product is suitable for enthusiasts and tradespeople alike. Any other application is considered misuse.

4.2 SPECIFICATION

Stock No.	56409 / 75737
Part No.	HXBKR1500D / HXBKR1500D110
Rated voltage	230V~50Hz / 110V~50Hz
Rated input	1500W
Speed (no load)	1900b/min
Impact energy	45 Joules
Sound pressure level (LpA)*:	93dB(A)
Sound power level (LWA)**:	105dB(A)
Uncertainty (K):	3dB(A)
Vibration level	20.706m/s ²
Weight	14kg

* *Continuous A-Weighted Sound Pressure Level at the workstation in accordance to and declared according to EN60745.*

** *The typical A-weighted noise level determined according to EN60745.*

4.3 HANDLING AND STORAGE

- Care must be taken when handling this product.
 - Dropping this power tool could have an effect on its accuracy and could also result in personal injury. This product is not a toy and must be respected.
- Environmental conditions can have a detrimental effect on this product if neglected.
 - Exposure to damp air can gradually corrode components.
 - If the product is unprotected from dust and debris, components will become clogged.
 - If not cleaned and maintained correctly or regularly, the machine will not perform at its best.

5. HEALTH AND SAFETY INFORMATION

When using any type of power tool there are steps that should be taken to make sure that you, as the user, remain safe.

Common sense and a respect for the tool will help reduce the risk of injury.

5.1 GENERAL SAFETY INSTRUCTIONS FOR POWER TOOL USE

Warning!

- Read all safety warnings and all instructions. Failure to follow the warnings and instructions may result in electric shock, fire and/or serious injury.

Most important: You must know how to safely start and stop this machine, especially in an emergency.

Keep the work area tidy and clean. Attempting to clear clutter from around the machine during use will reduce your concentration. Mess on the floor creates a trip hazard. Any liquid spilled on the floor could result in you slipping.

Find a suitable location. If the machine is bench mounted, the location should provide good natural light or artificial lighting as a replacement. Avoid damp and dusty locations as it will have a negative effect on the machine's performance. If the machine is portable do not expose the tool to rain. In all cases do not operate power tools near any flammable materials.

Keep bystanders away. Children, onlookers and passers by must be restricted from entering the work area for their own protection. The barrier must extend a suitable distance from the tool user. Unplug and house all power tools that are not in use. A power tool should never be left unattended while connected to the power supply. They must be housed in a suitable location, locked up and away from children.

Do not overload or misuse the tool. All tools are designed for a purpose and are limited to what they are capable of doing. Do not attempt to use a power tool (or adapt it in any way) for an application it is not designed for. Select a tool appropriate for the size of the job. Overloading a tool will result in tool failure and user injury. This covers the use of accessories.

Dress properly. Loose clothing, long hair and jewellery are all dangerous because they can become entangled in moving machinery. This can also result in parts of body being pulled into the machine. Clothing should be close fitted, with any long hair tied back and jewellery and neck ties removed. Footwear must be fully enclosed and have a non-slip sole.

Wear personal protective equipment (PPE). Dust, noise, vibration and swarf can all be dangerous if not suitably protected against. If the work involving the power tool creates dust or fumes wear a dust mask. Vibration to the hand, caused by operating some tools for longer periods must be protected against. Wear vibration reducing gloves and allow long breaks between uses. Protect against dust and swarf by wearing approved safety goggles or a face shield. These are some of the more common hazards and preventions, however, always find out what hazards are associated with the machine/work process and wear the most suitable protective equipment available.

Do not breathe contaminated air. If the work creates dust or fumes connect the machine (if possible) to an extraction system either locally or remotely. Working outdoors can also help if possible.

Move the machine as instructed. If the machine is hand held, do not carry it by the power supply cable. If the product is heavy, employ a second or third person to help move it safely or use a mechanical device. Always refer to the instructions for the correct method.

Do not overreach. Extending your body too far can result in a loss of balance and you falling. This could be from a height or onto a machine and will result in injury.

Maintain your tools correctly. A well maintained tool will do the job safely. Replace any damaged or missing parts immediately with original parts from the manufacturer. As applicable keep blades sharp, moving parts clean, oiled or greased, handles clean and emergency devices working.

5. HEALTH AND SAFETY INFORMATION

Wait for the machine to stop. Unless the machine is fitted with a safety brake, some parts may continue to move due to momentum. Wait for all parts to stop, then unplug it from the power supply before making any adjustments, carrying out maintenance operations or just finishing using the tool.

Remove and check setting tools. Some machinery requires the use of additional tools or keys to set, load or adjust the power tool. Before starting the power tool always check to make certain they have been removed and are safely away from the machine.

Prevent unintentional starting. Before plugging any machine in to the power supply, make sure the switch is in the OFF position. If the machine is portable, do not hold the machine near the switch and take care when putting the machine down, that nothing can operate the switch.

Carefully select an extension lead. Some machines are not suitable for use with extension leads. If the tool is designed for use outdoors, use an extension lead also suitable for that environment. When using an extended lead, select one capable of handling the current (amps) drawn by the machine in use. Fully extend the lead regardless of the distance between the power supply and the tool. Excess current (amps) and a coiled extension lead will both cause the cable to heat up and can result in fire.

Concentrate and stay alert. Distractions are likely to cause an accident. Never operate a power tool if you are under the influence of drugs (prescription or otherwise), including alcohol or if you are feeling tired. Being disorientated will result in an accident.

Have this tool repaired by a qualified person. This tool is designed to conform to the relevant international and local standards and as such should be maintained and repaired by someone qualified, using only original parts supplied by the manufacturer. This will ensure the tool remains safe to use.

IMPORTANT

If using an extension lead, follow the instructions that came with your lead regarding maximum load while cable is wound. If in doubt, ensure that the entire cable is unwound. Using a coiled extension lead will generate heat which could melt the lead and cause a fire.

5.2 ADDITIONAL SAFETY INSTRUCTIONS FOR HEX BREAKERS

Important: Draper Tools Limited recommends that this machine should not be modified or used for any application other than that for which it was designed. If you are unsure of its relative applications do not hesitate to contact us in writing and we will advise you.

1. Wear ear protectors. Exposure to noise can cause hearing loss.
2. Use the auxiliary handle. Loss of control can cause personal injury.
3. Hold the power tool by insulated gripping surfaces, when performing an operation where the cutting accessory may contact hidden wiring or its own cord. Cutting accessory contacting a "live" wire may make exposed metal parts of the power tool "live" and could give the operator an electric shock.
4. Wear a hard hat (safety helmet), safety glasses and/or face shield. Ordinary eye or sun glasses are NOT safety glasses. It is also highly recommended that you wear a dust mask and thickly padded gloves.
5. Be sure the bit is secured in place before operation.
6. Under normal operation the tool is designed to produce vibration. The screws can come loose easily, causing a breakdown or accident. Check tightness of screws carefully before operation.
7. In cold weather or when the tool has not been used for a long time, let the tool warm up for a while by operating it under no load. This will loosen up the lubrication. Without proper warm-up, hammering operation is difficult.
8. Always be sure you have a firm footing. Be sure no one is below when using the tool in high locations.
9. Hold the tool firmly with both hands.

5. HEALTH AND SAFETY INFORMATION

5.2 ADDITIONAL SAFETY INSTRUCTIONS FOR HEX BREAKERS

10. Keep hands away from moving parts.
11. Do not leave the tool running. Operate the tool only when hand-held.
12. Do not point the tool at any one in the area when operating. The bit could fly out and injure someone seriously.
13. Do not touch the bit or parts close to the bit (with bare hands) immediately after operation, they may be hot.

5.3 RESIDUAL RISK

Important: Although the safety instructions and operating manuals for our tools contain extensive instructions of safe working with power tools, every power tool involves a certain residual risk which can not be completely excluded by safety mechanisms. Power tools must therefore always be operated with caution!

5.4 CONNECTION TO THE POWER SUPPLY

Make sure the power supply information on the hex breaker's rating plate is compatible with the power supply you intend to connect it to.

230V Hex Breaker (Stock No.56409)

This hex breaker comes supplied with a UK standard 3 pin plug fitted. It is designed for connection to a domestic power supply rated at 230V AC.

Apart from replacing the fuse in the plug, no other electrical work is recommended on this hex breaker.

110V Hex Breaker (Stock No.75737)

This hex breaker should be connected to a 110V power supply using the appropriate 16amp plug.

CAUTION: Risk of electric shock. Do not open.

This appliance is supplied with a moulded 3 pin mains plug for your safety. The value of the fuse fitted is marked on the pin face of the plug. Should the fuse need replacing, ensure the substitute is of the correct rating, approved to BS1362 and ASTA or BS Kite marked.


ASTA 
BSI 

The fuse cover is removable with a small plain slot screwdriver. Ensure the fuse cover is replaced before attempting to connect the plug to an electrical outlet. If the cover is missing, a replacement must be obtained or the plug replaced with a suitable type.

If a replacement plug is to be fitted this must be carried out by a qualified electrician.

The damaged or incomplete plug, when cut from the cable shall be disabled to prevent connection to a live electrical outlet.

This appliance is Class I† and is designed for connection to a power supply matching that detailed on the rating label and compatible with the plug fitted.

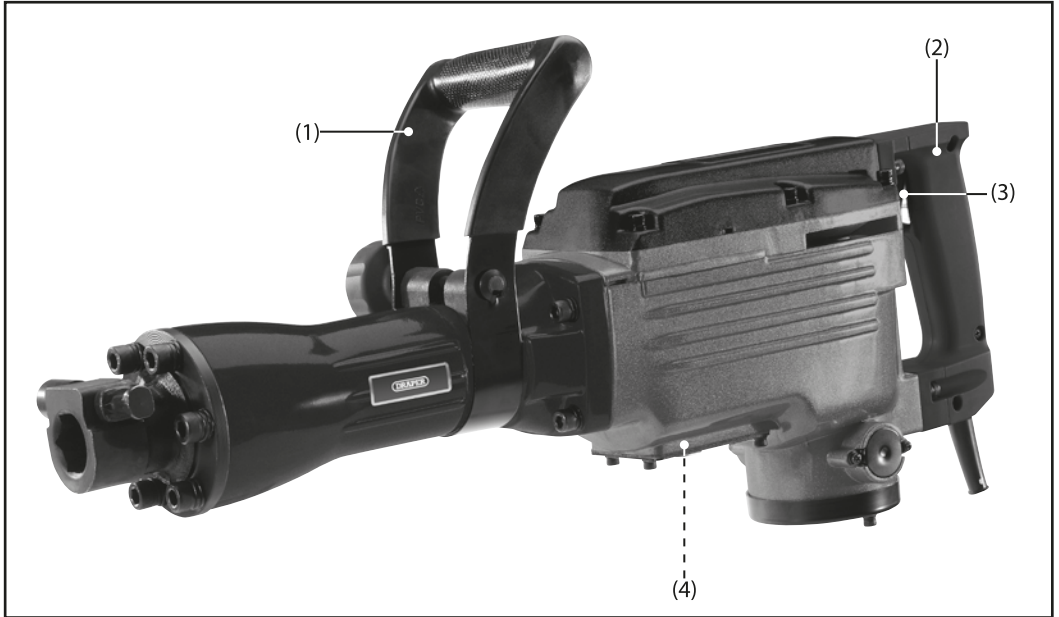
†Earthed  : This product requires an earth connection to protect against electric shock from accessible conductive parts in the event of a failure of the basic insulation.

IMPORTANT

If using an extension lead, follow the instructions that came with your lead regarding maximum load while cable is wound. If in doubt, ensure that the entire cable is unwound. Using a coiled extension lead will generate heat which could melt the lead and cause a fire.

6. TECHNICAL DESCRIPTION

6.1 IDENTIFICATION



- (1) Adjustable auxiliary handle.
- (2) Soft grip.

- (3) On/off trigger switch.
- (4) Oil reservoir (sight glass window).

7. UNPACKING AND CHECKING

7.1 PACKAGING

Carefully remove the product from the packaging and examine it for any sign of damage that may have happened during shipping. If any part is damaged or missing, please contact the Draper Help Line (the telephone number appears on the Title page) and do not attempt to use the product.

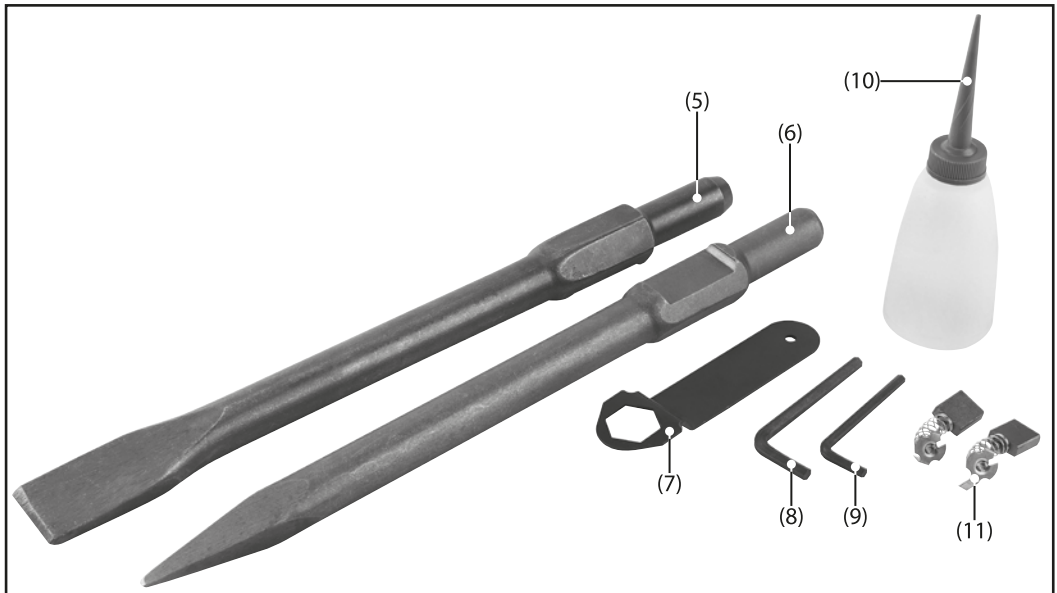
The packaging material should be retained at least during the guarantee period in case the machine needs to be returned for repair.

Warning!

- Some of the packaging materials used may be harmful to children. Do not leave any of these materials in the reach of children.
- If any of the packaging is to be thrown away, make sure they are disposed of correctly, according to local regulations.

7.2 WHAT'S IN THE BOX

As well as the product, there are several parts not fitted or attached to it.



- (5) 410mm x 30mm Flat chisel.
- (6) 410mm x 30mm Pointed chisel.
- (7) Hexagon spanner.

- (8) 6mm Hexagon key.
- (9) 5mm Hexagon key.
- (10) Oil pot.
- (11) Pair of replacement brushes.

8. PREPARING THE HEX BREAKER

8.1 USING THE ADJUSTABLE AUXILIARY HANDLE – FIGS. 1-3

Warning!

The tool should always be used with the adjustable auxiliary handle (1) in place and firmly held in both hands.

To adjust the auxiliary handle's position, simply slacken the large adjusting knob, move to your chosen location and re-tighten.

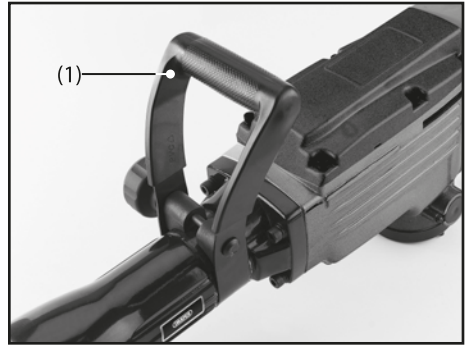


FIG.1



FIG.2



FIG.3

8. PREPARING THE HEX BREAKER

8.2 LUBRICATION OIL LEVEL

- FIG. 4

Check the level of lubrication oil in the breaker every day before use. The reservoir has sufficient oil to last approximately 20 days when full, based on 3 hours a day usage.

To check, hold the tool vertically and rest on the floor. The sight glass window (4) is situated underneath the product, Fig.4. When the oil level is 2-3mm above the bottom of the sight glass window the oil must be refilled.

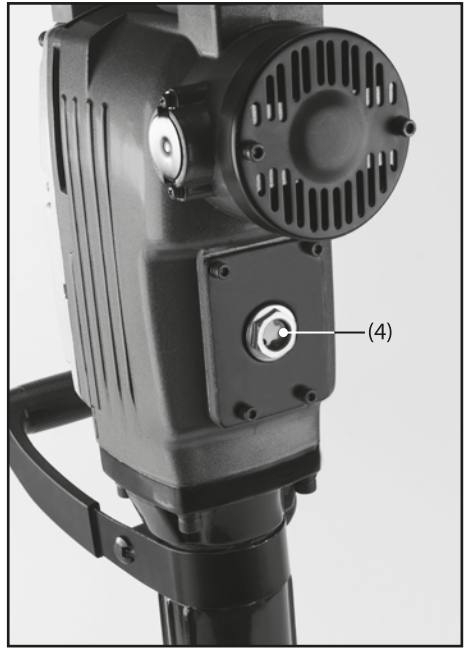


FIG.4

8.3 FILLING THE OIL RESERVOIR

- FIGS. 5 & 6

Turn the tool onto its back with the sight glass window facing upwards.

Remove sight glass window (4) with the supplied spanner (7), making sure not to damage or lose the gasket, Fig.5.

Refill oil to approximately 10mm below the bottom of the threaded hole the sight glass fits into, Fig.6.

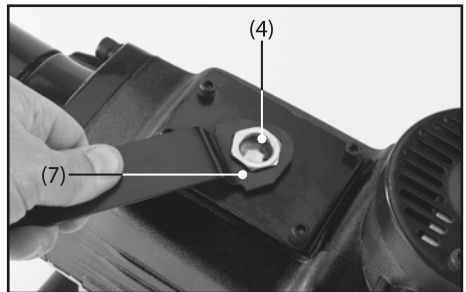


FIG.5

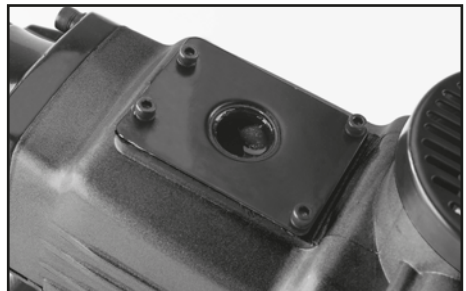


FIG.6

8. PREPARING THE HEX BREAKER

8.4 FITTING AND CHANGING BITS – FIGS. 7-9

Warning!

Remove the plug from the socket before carrying out adjustment, servicing or maintenance.

To fit or change a bit pull the tool retainer out and turn anti-clockwise 180°, Fig.7.

To remove and or install a bit in the end turn the tool retainer 180° again allowing it to return to its original position, Fig.8.

Grasp the bit and verify it is secure by pulling firmly out of the tool. The bit should move around 2 inches but not come out of the tool, Fig.9.

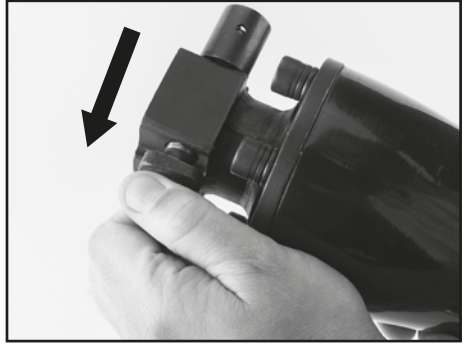


FIG.7

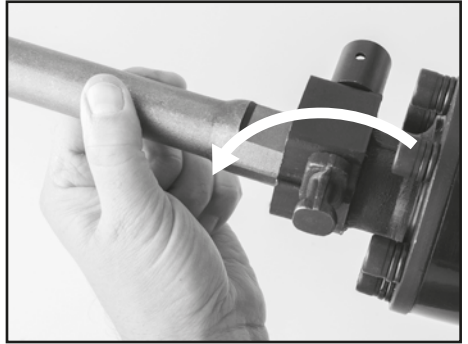


FIG.8

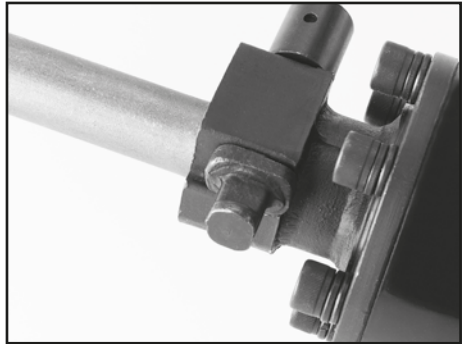


FIG.9

8. PREPARING THE HEX BREAKER

8.5 CHECKING AND FITTING OF CARBON BRUSHES – FIGS. 10-13

Warning!

Remove the plug from the socket before carrying out adjustment, servicing or maintenance.

Turn the tool upside down, rest it on the floor.

Remove the two screws on either side of the round cover using a cross headed screwdriver (not supplied), Fig.10.

Remove protective metal cover from brush holder, Fig.11.

Unscrew brush holder to release carbon brush, Fig.12.

Inspect and replace brush if necessary, Fig.13. Reassembly is a reversal of the disassembly instructions.



FIG.10



FIG.11

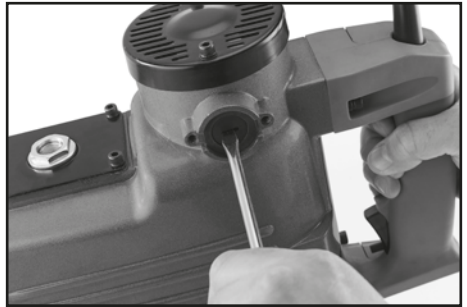


FIG.12



FIG.13

9. MAINTENANCE AND TROUBLESHOOTING

9.1 MAINTENANCE

Regular inspection and cleaning reduces the necessity for maintenance operations and will keep your tool in good working condition.

The motor must be correctly ventilated during tool operation. Avoid blocking the air inlets and vacuum the ventilation slots regularly.

9.2 TROUBLESHOOTING

Note: Remove the plug from the socket before carrying out adjustment, servicing or maintenance.

Problem	Possible Cause	Remedy
Motor does not start.	<ol style="list-style-type: none"><li data-bbox="400 395 497 419">1. Fuse.<li data-bbox="400 456 591 480">2. Brushes worn.<li data-bbox="400 517 505 541">3. Other.	<ol style="list-style-type: none"><li data-bbox="756 395 1061 451">1. Replace/reset time delay fuse or circuit breaker.<li data-bbox="756 456 1009 512">2. Inspect and replace brushes if necessary.<li data-bbox="756 517 1023 572">3. Contact an authorised service agent.

10. OPTIONAL ACCESSORIES

10.1 OPTIONAL ACCESSORIES

Spare parts are available from Draper Tools.

Please visit our website for details: drapertools.com

11. DISPOSAL

11.1 DISPOSAL

- At the end of the machine's working life, or when it can no longer be repaired, ensure that it is disposed of according to national regulations.
- Contact your local authority for details of collection schemes in your area.

In all circumstances:

- Do not dispose of power tools with domestic waste.
- Do not incinerate.
- Do not dispose of WEEE* as unsorted municipal waste.



* *Waste Electrical & Electronic Equipment.*

12. EXPLANATION OF SYMBOLS

12.1 EXPLANATION OF SYMBOLS



Read the instruction manual.



Wear face mask and safety glasses.



Wear ear defenders.



Wear protective gloves.



Long and loose hair must be contained or securely tied back.



Keep out of the reach of children.



Warning!



Class II construction
(Double insulated).



WEEE –
Waste Electrical &
Electronic Equipment.

*Do not dispose of Waste Electrical
& Electronic Equipment in with
domestic rubbish.*

CONTACTS

Draper Tools Limited, Hursley Road,
Chandler's Ford, Eastleigh, Hampshire. SO53 1YF. U.K.

Help line: (023) 8049 4344

Sales Desk: (023) 8049 4333

Internet: drapertools.com

E-mail: sales@drapertools.com

General Enquiries: (023) 8026 6355

Service/Warranty Repair Agent:

For aftersales servicing or warranty repairs, please contact the
Draper Tools Help line for details of an agent in your local area.

YOUR DRAPER STOCKIST

TALJ0119

©Published by Draper Tools Limited.

No part of this publication may be reproduced, stored in a retrieval system or transmitted in any form or by any means, electronic, mechanical photocopying, recording or otherwise without prior permission in writing from Draper Tools Ltd.