



DRAPER[®]

230V
**CIRCULAR
SAW**

56791



These instructions accompanying the product are the original instructions. This document is part of the product, keep it for the life of the product passing it on to any subsequent holder of the product. Read all these instructions before assembling, operating or maintaining this product.

This manual has been compiled by Draper Tools describing the purpose for which the product has been designed, and contains all the necessary information to ensure its correct and safe use. By following all the general safety instructions contained in this manual, it will ensure both product and operator safety, together with longer life of the product itself.

All photographs and drawings in this manual are supplied by Draper Tools to help illustrate the operation of the product.

Whilst every effort has been made to ensure the accuracy of information contained in this manual, the Draper Tools policy of continuous improvement determines the right to make modifications without prior warning.

1. TITLE PAGE

1.1 INTRODUCTION:

USER MANUAL FOR: 230V Circular Saws

Stock No: 56791

Part No: CS1300D185

1.2 REVISIONS:

Date first published November 2018.

As our user manuals are continually updated, users should make sure that they use the very latest version.

Downloads are available from: <http://drapertools.com/manuals>

Draper Tools Limited
Hursley Road
Chandler's Ford
Eastleigh
Hampshire
SO53 1YF
UK

Website: drapertools.com

Product help line: +44 (0) 23 8049 4344

General Fax: +44 (0) 23 8026 0784

1.3 UNDERSTANDING THIS MANUALS SAFETY CONTENT:

WARNING! – Information that draws attention to the risk of injury or death.

CAUTION! – Information that draws attention to the risk of damage to the product or surroundings.

1.4 COPYRIGHT © NOTICE:

Copyright © Draper Tools Limited.

Permission is granted to reproduce this publication for personal and educational use only. Commercial copying, redistribution, hiring or lending is prohibited.

No part of this publication may be stored in a retrieval system or transmitted in any other form or means without written permission from Draper Tools Limited.

In all cases this copyright notice must remain intact.

2. CONTENTS

1. TITLE PAGE	
1.1 INTRODUCTION.....	2
1.2 REVISION HISTORY	2
1.3 UNDERSTANDING THIS MANUAL	2
1.4 COPYRIGHT NOTICE	2
2. CONTENTS	
2.1 CONTENTS.....	3
3. WARRANTY	
3.1 WARRANTY.....	4
4. INTRODUCTION	
4.1 SCOPE.....	5
4.2 SPECIFICATION	5
4.3 HANDLING & STORAGE.....	5
5. HEALTH AND SAFETY INFORMATION	
5.1 GENERAL SAFETY INSTRUCTIONS FOR POWER TOOL USE	6-7
5.2 ADDITIONAL SAFETY INSTRUCTIONS FOR ALL SAWS	7-8
5.3 PENDULUM GUARDS.....	8
5.4 ADDITIONAL SAFETY INSTRUCTIONS FOR CIRCULAR SAW BLADES.....	8-9
5.5 ADDITIONAL SAFETY INSTRUCTIONS FOR LASER PRODUCTS	9
5.6 RESIDUAL RISK	9
5.7 CONNECTION TO THE POWER SUPPLY.....	10
6. TECHNICAL DESCRIPTION	
6.1 IDENTIFICATION	11
7. UNPACKING AND CHECKING	
7.1 PACKAGING	12
7.2 WHAT'S IN THE BOX.....	12
8. PREPARING THE CIRCULAR SAW	
8.1 BLADE INSTALLATION AND REPLACEMENT	13
9. BASIC CIRCULAR SAW OPERATIONS	
9.1 ON/OFF TRIGGER SWITCH	14
9.2 DUST EXTRACTION	14
9.3 CUTTING DEPTH ADJUSTMENT	14
9.4 CUTTING ANGLE ADJUSTMENT	14
9.5 PARALLEL GUIDE	15
9.6 LASER GUIDE	15
9.7 SAW OPERATION	15
10. MAINTENANCE AND TROUBLESHOOTING	
10.1 MAINTENANCE	16
10.2 TROUBLESHOOTING	16
11. OPTIONAL ACCESSORIES	
11.1 OPTIONAL ACCESSORIES.....	16
12. DISPOSAL	
12.1 DISPOSAL.....	17
13. EXPLANATION OF SYMBOLS	
13.1 EXPLANATION OF SYMBOLS	18
DECLARATION OF CONFORMITY	ENCLOSED

3. WARRANTY

3.1 WARRANTY

Draper tools have been carefully tested and inspected before shipment and are guaranteed to be free from defective materials and workmanship.

Should the tool develop a fault, please return the complete tool to your nearest distributor or contact

Draper Tools Limited, Chandler's Ford, Eastleigh, Hampshire, SO53 1YF. England.

Telephone Sales Desk: (023) 8049 4333 or Product Help Line (023) 8049 4344.

A proof of purchase **must** be provided with the tool.

If upon inspection it is found that the fault occurring is due to defective materials or workmanship, repairs will be carried out free of charge. This warranty period covering labour is 12 months from the date of purchase except where tools are hired out when the warranty period is 90 days from the date of purchase. The warranty is extended to 24 months for parts only. This warranty does not apply to any consumable parts, any type of battery or normal wear and tear, nor does it cover any damage caused by misuse, careless or unsafe handling, alterations, accidents, or repairs attempted or made by any personnel other than the authorised Draper warranty repair agent.

Note: If the tool is found not to be within the terms of warranty, repairs and carriage charges will be quoted and made accordingly.

This warranty applies in lieu of any other warranty expressed or implied and variations of its terms are not authorised.

Your Draper warranty is not effective unless you can produce upon request a dated receipt or invoice to verify your proof of purchase within the warranty period.

Please note that this warranty is an additional benefit and does not affect your statutory rights.

Draper Tools Limited.

4. INTRODUCTION

4.1 SCOPE

As part of our core range, this product is suitable for enthusiasts and tradespeople alike.

As part of our core range, this product is suitable for enthusiasts and tradespeople alike. Any application other than that it was intended for, is considered misuse.

4.2 SPECIFICATION

Stock No.56791

Part No. CS1300D185

Motor:

Rated voltage 230V~

Rated frequency 50Hz

Rated input 1300W

Saw blade:

Diameter.....185mm

Bore Ø.....16mm

Thickness2.4mm

Maximum depth of cut:

90° 63mm

45° 42mm

Revolutions per minute (no load): 4,500r/min

Sound pressure level (LpA)*: 95.5dB(A)

Sound power level (LWA)**: 106.5dB(A)

Uncertainty (K): 3dB(A)

Vibration level Main handle†: 2.462m/s², K=1.5m/s²

Weight (machine only):..... 4.4kg

†When sawing in wood.

* *Continuous A-Weighted Sound Pressure Level at the workstation in accordance to and declared according to EN60745.*

** *The typical A-weighted noise level determined according to EN60745*

4.3 HANDLING & STORAGE

- Care must be taken when handling this product.
 - Dropping this power tool could have an effect on its accuracy and could also result in personal injury. This product is not a toy and must be respected.
- Environmental conditions can have a detrimental effect on this product if neglected.
 - Exposure to damp air can gradually corrode components.
 - If the product is unprotected from dust and debris, components will become clogged.
 - If not cleaned and maintained correctly or regularly, the machine will not perform at its best..

5. HEALTH AND SAFETY INFORMATION

5.1 GENERAL SAFETY INSTRUCTIONS FOR POWER TOOL USE

When using any type of power tool there are steps that should be taken to make sure that you, as the user, remain safe.

Common sense and a respect for the tool will help reduce the risk of injury.

Read the instruction manual fully. Do not attempt any operation until you have read and understood this manual.

Most important you must know how to safely start and stop this machine, especially in an emergency.

Keep the work area tidy and clean. Attempting to clear clutter from around the machine during use will reduce your concentration. Mess on the floor creates a trip hazard. Any liquid spilt on the floor could result in you slipping.

Find a suitable location. If the machine is bench mounted, the location should provide good natural light or artificial lighting as a replacement. Avoid damp and dust locations as it will have a negative effect on the machine's performance. If the machine is portable do not expose the tool to rain. In all cases do not operate power tools near any flammable materials.

Keep bystanders away. Children, onlookers and passers by must be restricted from entering the work area for their own protection. The barrier must extend a suitable distance from the tool user.

Unplug and house all power tools that are not in use. A power tool should never be left unattended while connected to the power supply. They must be housed in a suitable location, away locked up and from children. This includes battery chargers.

Do not overload or misuse the tool. All tools are designed for a purpose and are limited to what they are capable of doing. Do not attempt to use a power tool (or adapt it in any way) for an application it is not designed for. Select a tool appropriate for the size of the job. Overloading a tool will result in tool failure and user injury. This covers the use of accessories.

Dress properly. Loose clothing, long hair and jewellery are all dangerous because they can become entangled in moving machinery. This can also result in parts of body being pulled into the machine. Clothing should be close fitted, with any long hair tied back and jewellery and neck ties removed. Footwear must be fully enclosed and have a non-slip sole.

Wear personal protective equipment (PPE). Dust, noise, vibration and swarf can all be dangerous if not suitably protected against. If the work involving the power tool creates dust or fumes wear a dust mask. Vibration to the hand, caused by operating some tools for longer periods must be protected against. Wear vibration reducing gloves and allow long breaks between uses. Protect against dust and swarf by wearing approved safety goggles or a face shield. These are some of the more common hazards and preventions, however, always find out what hazards are associated with the machine/work process and wear the most suitable protective equipment available.

Do not breathe contaminated air. If the work creates dust or fumes connect the machine (if possible) to an extraction system either locally or remotely. Working outdoors can also help if possible.

Move the machine as instructed. If the machine is hand held, do not carry it by the power supply cable. If the product is heavy, employ a second or third person to help move it safely or use a mechanical device. Always refer to the instructions for the correct method.

Do not overreach. Extending your body too far can result in a loss of balance and you falling. This could be from a height or onto a machine and will result in injury.

Maintain your tools correctly. A well maintained tool will do the job safely. Replace any damaged or missing parts immediately with original parts from the manufacturer. As applicable, keep blades sharp, moving parts clean, oiled or greased, handles clean, and emergency devices working.

5. HEALTH AND SAFETY INFORMATION

Wait for the machine to stop. Unless the machine is fitted with a safety brake, some parts may continue to move due to momentum. Wait for all parts to stop, then unplug it from the power supply before making any adjustments, carrying out maintenance operations or just finishing using the tool.

Remove and check setting tools. Some machinery requires the use of additional tools or keys to set, load or adjust the power tool. Before starting the power tool always check to make certain they have been removed and are safely away from the machine.

Prevent unintentional starting. Before plugging any machine in to the power supply, make sure the switch is in the OFF position. If the machine is portable, do not hold the machine near the switch and take care when putting the machine down, that nothing can operate the switch.

Carefully select an extension lead. Some machines are not suitable for use with extension leads. If the tool is designed for use outdoors, use an extension lead also suitable for that environment. When using an extended lead, select one capable of handling the current (amps) drawn by the machine in use. Fully extend the lead regardless of the distance between the power supply and the tool. Excess current (amps) and a coiled extension lead will both cause the cable to heat up and can result in fire.

Concentrate and stay alert. Distractions are likely to cause an accident. Never operate a power tool if you are under the influence of drugs (prescription or otherwise), including alcohol or if you are feeling tired. Being disorientated will result in an accident.

Have this tool repaired by a qualified person. This tool is designed to conform to the relevant international and local standards and as such should be maintained and repaired by someone qualified, using only original parts supplied by the manufacturer. This will ensure the tool remains safe to use.

5.2 ADDITIONAL SAFETY INSTRUCTIONS FOR ALL SAWS

Keep hands away from cutting area and the blade. Keep your second hand on the auxiliary handle, or motor housing. If both hands are holding the saw, they cannot be cut by the blade.

Do not reach underneath the workpiece. The guard cannot protect you from the blade below the workpiece.

Adjust the cutting depth to the thickness of the workpiece. Less than a full tooth of the blade teeth should be visible below the workpiece.

Never hold piece being cut in your hands or across your leg. Secure the workpiece to a stable platform. It is important to support the work properly to minimise body exposure, blade binding or loss of control.

Hold power tool by insulated gripping surfaces when performing an operation where the cutting tool may contact hidden wiring or its own cord. Contact with a “live” wire will also make exposed metal parts of the power tool “live” and shock the operator.

When ripping always use a rip fence or straight edge guide. This improves the accuracy of cut and reduces chance of blade binding.

Always use blade with correct size and shape (diamond versus round) of arbour holes. Blades that do not match the mounting hardware of the saw will run eccentrically, causing loss of control.

Never use damaged or incorrect blade washers or bolt. The blade washers and bolt were specially designed for your saw, for optimum performance and safety of operation.

Causes and operator prevention of kickback:

- Kickback is a sudden reaction to a pinched, bound or misaligned saw blade, causing an uncontrolled saw to lift up and out of the workpiece towards the operator.
- When the blade is pinched or bound tightly by the kerf closing down, the blade stalls and the motor reaction drives the unit rapidly back towards the operator.
- If the blade becomes twisted or misaligned in the cut, the teeth at the back edge of the blade can dig into the top surface of the wood causing the blade to climb out of the kerf and jump back toward the operator.

5. HEALTH AND SAFETY INFORMATION

- Kickback is the result of saw misuse and/or incorrect operating procedures or conditions and can be avoided by taking proper precautions as given below.
 - Maintain a firm grip with both hands on the saw and position your arms to resist kickback forces. Position your body to either side of the blade, but not in line with the blade. Kickback could cause the saw to jump backwards, but kickback forces can be controlled by the operator, if proper precautions are taken.
 - When blade is binding, or when interrupting a cut for any reason, release the trigger and hold the saw motionless in the material until the blade comes to a complete stop. Never attempt to remove the saw from the work or pull the saw backward while the blade is in motion or kickback may occur. Investigate and take corrective actions to eliminate the cause of blade binding.
 - When restarting a saw in the workpiece, centre the saw blade in the kerf and check that saw teeth are not engaged into the material. If saw blade is binding, it may walk up or kickback from the workpiece as the saw is restarted.
 - Support large panels to minimise the risk of blade pinching and kickback. Large panels tend to sag under their own weight. Supports must be placed under the panel on both sides, near the line of cut and near the edge of the panel.
 - Do not use dull or damaged blades. Unsharpened or improperly set blades produce narrow kerf causing excessive friction, blade binding and kickback.
 - Blade depth and bevel adjusting locking levers must be tight and secure before making cut. If blade adjustment shifts while cutting, it may cause binding and kickback.
 - Use extra caution when making a “plunge cut” into existing walls or other blind areas. The protruding blade may cut objects that can cause kickback.

5.3 PENDULUM GUARDS

Check lower guard for proper closing before each use. Do not operate the saw if lower guard does not move freely and close instantly. Never clamp or tie the lower guard into the open position. If the saw is accidentally dropped, the lower guard may be bent. Raise the lower guard with the retracting handle and make sure it moves freely and does not touch the blade or any other part, in all angles and depths of cut.

Check the operation of the lower guard spring. If the guard and spring are not operating properly, they must be serviced before use. The lower guard may operate sluggishly due to damaged parts, gummy deposits, or a build up of debris.

Lower guard should be retracted manually only for special cuts such as “plunge cuts” and “compound cuts”. Raise lower guard by retracting handle and as soon as the blade enters the material, the lower guard must be released. For all other sawing, the lower guard should operate automatically.

Always observe that the lower guard is covering the blade before placing saw down on bench or floor. An unprotected, coasting blade will cause the saw to walk backwards, cutting whatever is in its path. Be aware of the time it takes for the blade to stop after the switch is released.

5.4 ADDITIONAL SAFETY INSTRUCTIONS FOR CIRCULAR SAW BLADES

Safe Working Practice

Maximum speed. The maximum speed marked on the tool shall not be exceeded. Where stated, the speed range shall be adhered to.

Circular saw blades

- Circular saw blades, the bodies of which are cracked, shall be scrapped (repairing is not permitted).
- Composite (tipped) circular saw blades, where the tip dimension is reduced to less than 1mm, shall be taken out of service.

5. HEALTH AND SAFETY INFORMATION

One piece tools

- Clamping screws shall be tightened according to instructions provided by the manufacturer. Where instructions are not provided, clamping screws shall be tightened in sequence from the centre outwards.
- Use of loose rings or bushes to “make up” bore sizes on circular saw blades shall not be permitted.
- Use of fixed rings, e.g. pressed or held by adhesive fixing, in circular saw blades or flanged bushes for other tools shall be permitted if made to the manufacturers specification.
- Resin shall only be removed from light alloys with solvents that do not affect the mechanical characteristics of these materials.

Repair of tools

- Repair of tools is only allowed according to the tool manufacturers instructions. Particular attention is drawn to the following.
- The design of composite (tipped) tools shall not be changed in the process of repair.
- Composite tools shall be repaired by a competent person, i.e. a person of training and experience, who has knowledge of the design requirements and understands the levels of safety to be achieved.
- Repair shall therefore include, e.g. use of spare parts which are in accordance with the specification of the original parts provided by the manufacturer.
- Tolerances which ensure correct clamping shall be maintained.
- For one piece tools care shall be taken that regrinding of the cutting edge will not cause weakening of the hub and the connection of the cutting edge to the hub.

5.5 ADDITIONAL SAFETY INSTRUCTIONS FOR LASER PRODUCTS

- Laser radiation. **DO NOT STARE INTO BEAM!** Class 2 laser product.
- Viewing the laser output with certain optical instruments (for example, eye loupes, magnifiers and microscopes) with a distance of 100mm may pose an eye hazard.
- Viewing the laser output with certain optical instruments designed for use at a distance (for example, telescopes and binoculars) may pose an eye hazard.
- **Caution:** Use of controls or adjustments or performance of procedures other than those specified herein may result in hazardous radiation exposure.
- **NEVER** direct the beam towards a person's eyes!
- Avoid positioning the laser such that it may lead to unintentional eye exposure to any potential passing pedestrians/traffic.
- **DO NOT** direct the beam towards animals.
- **DO NOT** use in the vicinity of children.
- **DO NOT** direct the beam onto reflective surfaces.
- Always switch off when not in use and do not leave unattended. Remove the batteries before storing the circular saw away.
- This laser product has no serviceable parts. Do not attempt to disassemble or repair.



5.6 RESIDUAL RISK

Important note: Although the safety instructions and operating manuals for our tools contain extensive instructions for safe working with power tools, every power tool involves a certain residual risk which can not be completely excluded by safety mechanisms. Power tools must therefore always be operated with caution!

5. HEALTH AND SAFETY INFORMATION

5.7 CONNECTION TO THE POWER SUPPLY

Caution: Risk of electric shock. Do not open.

This appliance is supplied with a moulded 3 pin mains plug for your safety. The value of the fuse fitted is marked on the pin face of the plug. Should the fuse need replacing, ensure the substitute is of the correct rating, approved to BS1362 and ASTA or BSI Kite marked.

ASTA 

BSI 


The fuse cover is removable with a small plain slot screwdriver. Ensure the fuse cover is replaced before attempting to connect the plug to an electrical outlet. If the cover is missing, a replacement must be obtained or the plug replaced with a suitable type.

If a replacement plug is to be fitted this must be carried out by a qualified electrician.

The damaged or incomplete plug, when cut from the cable should be disabled to prevent connection to a live electrical outlet.

This appliance is Class II[†] and is designed for connection to a power supply matching that detailed on the rating label and compatible with the plug fitted.

If an extension lead is required, use an approved and compatible lead rated for this appliance. Follow all the instructions supplied with the extension lead.

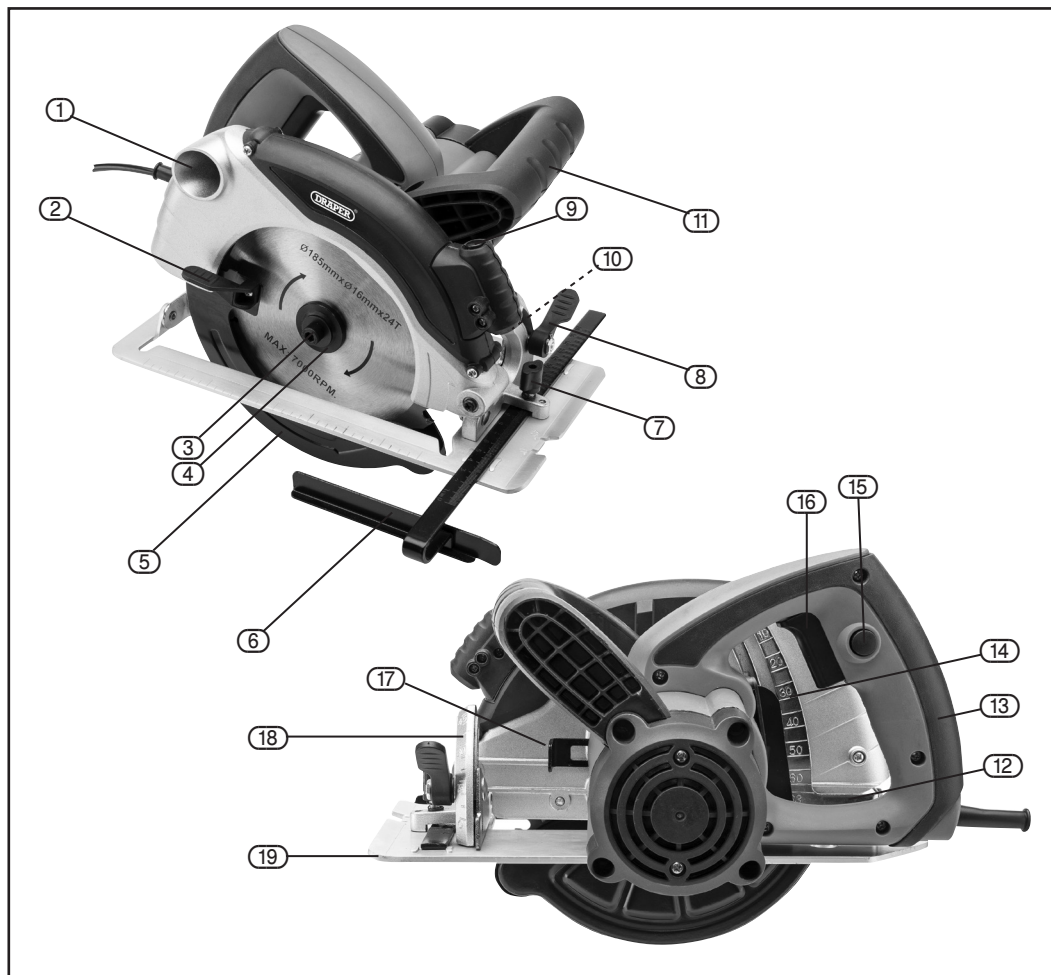
[†]*Double insulated* : *This product requires no earth connection as supplementary insulation is applied to the basic insulation to protect against electric shock in the event of failure of the basic insulation.*

IMPORTANT

If using an extension lead, follow the instructions that came with your lead regarding maximum load while cable is wound. If in doubt, ensure that the entire cable is unwound. Using a coiled extension lead will generate heat which could melt the lead and cause a fire.

6. TECHNICAL DESCRIPTION

6.1 IDENTIFICATION



- | | |
|---------------------------------|----------------------------------|
| ① Dust extraction outlet. | ⑪ Auxiliary handle. |
| ② Guard opening tab. | ⑫ Cutting depth adjustment knob. |
| ③ Saw blade locking hex. bolt. | ⑬ Rear handle. |
| ④ Saw blade locking flange. | ⑭ Cutting depth scale. |
| ⑤ Lower blade guard (pendulum). | ⑮ Safety lock release button. |
| ⑥ Parallel guide. | ⑯ Trigger switch. |
| ⑦ Parallel guide locking knob. | ⑰ Spindle lock button. |
| ⑧ Bevel angle locking knob. | ⑱ Bevel angle scale. |
| ⑨ On/off switch (laser). | ⑲ Base plate. |
| ⑩ Laser beam aperture. | |

7. UNPACKING AND CHECKING

7.1 PACKAGING

Carefully remove the product from the packaging and examine it for any sign of damage that may have happened during shipping. Lay the contents out and check them against the parts shown below. If any part is damaged or missing, please contact the Draper Help Line (the telephone number appears on the Title page) and do not attempt to use the product.

The packaging material should be retained at least during the guarantee period: in case the machine needs to be returned for repair.

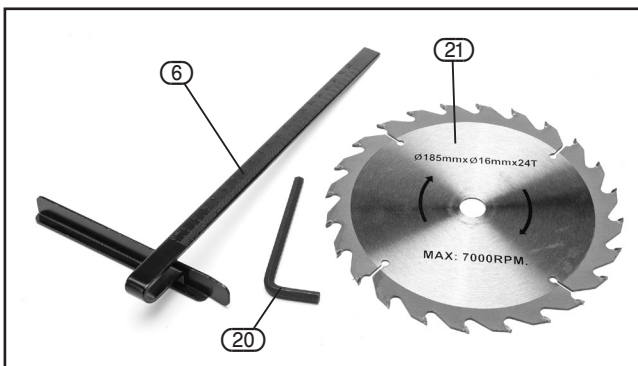
Warning!

- Some of the packaging materials used may be harmful to children. Do not leave any of these materials in the reach of children.
- If any of the packaging is to be thrown away, make sure they are disposed of correctly, according to local regulations.

7.2 WHAT'S IN THE BOX

As well as the main product, there are also several other parts not fitted or attached to it:

- ⑥ Parallel guide.
- ⑳ Hex. key.
- ㉑ Blade.



8. PREPARING THE CIRCULAR SAW

Warning! Do not use abrasive wheels. Only use saw blades recommended.

8.1 BLADE INSTALLATION AND REPLACEMENT – FIGS. 1 – 2

- Press and hold the spindle lock button (17). The spindle may rotate slightly before the spindle lock fully engages.
- Loosen the saw blade locking hex. bolt (3) anti-clockwise.
- Remove the hex. bolt (3) and the saw blade locking flange (4). If the rear flange is removed for cleaning, ensure it is replaced in its correct orientation.
- Slide the lower blade guard (5) back using tab (2) and hold.
- Ensure the specification of the replacement blade conforms with the machine (i.e. outer diameter, bore diameter, width, rpm and type, e.g. woodcutting etc.). Before fitting the new blade wipe a drop of oil on the inner and outer flanges where the arbor locates.
- Insert the new blade.

Note: Install the blade with the direction of rotation arrow matching the direction of rotation arrows on the machine. The teeth face upward at the front of the saw.

- Reassemble the locking flange (3) and secure the locking hex. bolt (3) firmly.

Note: This saw is not designed to cut metal or masonry. It is intended for cutting wood and analogous materials only.

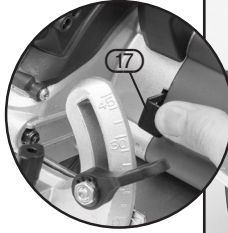


FIG.1

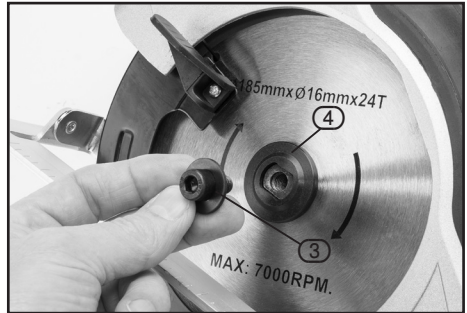


FIG.2

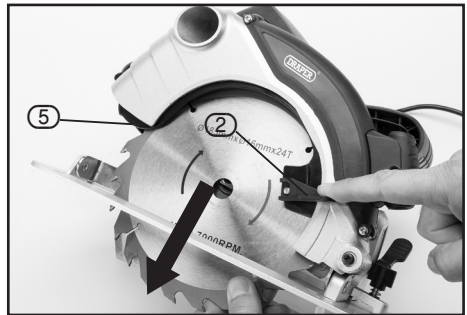


FIG.3

9. BASIC CIRCULAR SAW OPERATIONS

9.1 ON/OFF TRIGGER SWITCH – FIG.4

The trigger switch (16) is operated in conjunction with a safety release button (15) so that it is not possible to start the circular saw by accident.

- To start the saw, press the safety button (15) first and then depress the trigger switch (16).
 - Always wear ear defenders during use.



FIG.4

9.2 DUST EXTRACTION – FIG.5

Inhalation of dust particles can be detrimental to health. The dust outlet (1) must be connected with a dust extraction machine.

Note: Due to the outlet diameter, a size adaptation may be necessary.

Warning! All wood dust (including dust from composites like chipboards and fibre boards etc.) is hazardous to health. It can affect the nose, the respiratory system and the skin. For example MDF (medium density fibreboard) which contains formaldehyde is a known carcinogen. In addition to the above measures a correctly fitted dust mask, suitable for the activity and in accordance to the relevant standard, must be worn.

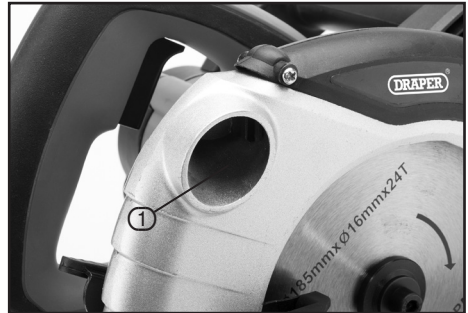


FIG.5

9.3 CUTTING DEPTH ADJUSTMENT – FIG.6

- To adjust the cutting depth, loosen the cutting depth adjustment knob (12).
- Set the required cutting depth, using the depth scale markings as a guide.

Note: For greater accuracy measure the tip of the blade back to the base.

- Re-tighten the cutting depth adjustment knob (12) when the required depth is set.



FIG.6

9.4 CUTTING ANGLE ADJUSTMENT – FIG.7

To alter the angle between 0° to 45°, loosen the bevel angle locking knob (8).

Note: The scale is a guide. If more accuracy is required a protractor should be used off the underside of the base against the blade.

- When the required angle is set, re-tighten the bevel angle locking knob (8).

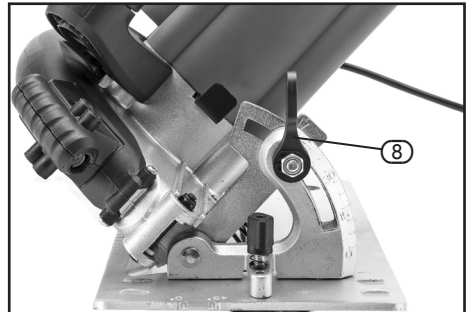


FIG.7

9. BASIC CIRCULAR SAW OPERATIONS

9.5 PARALLEL GUIDE – FIG.8

- Pass the parallel guide (6) through the slots in the base and secure with locking knob (7).
- Set the required cutting width, using the width scale markings as a guide.
- Make a test cut on a scrap piece of timber prior to making any cuts on the workpiece and adjust accordingly.
- For greater accuracy, measure between the edge of the blade allowing for the kerf of the blade and the parallel guide's face.

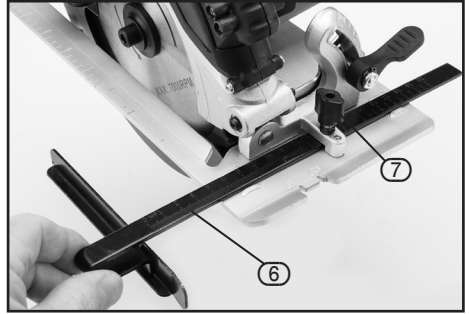


FIG.8

9.6 LASER GUIDE – FIG.9

Warning! Laser radiation. Do not stare into beam. Class 2 laser product.

The laser beam aperture (10) is activated by pressing button (9) and will stay on until the button is pressed again.

- Mark the line of the cut on the workpiece.
- Adjust the depth and/or bevel angles of the cut as required.
- Turn on the laser guide by pressing the laser on/off button (9) and align the line of the cut on the workpiece.
- When the blade is at its maximum speed (approx. 2 sec.) make the cut.
- On completion of the cut, switch off the laser.

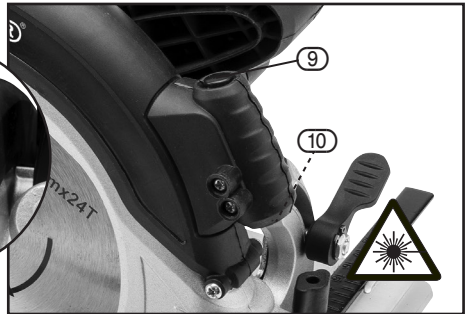
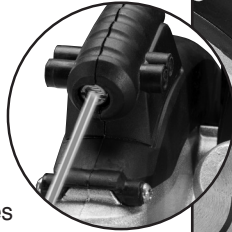


FIG.9

9.7 SAW OPERATION

Caution: When using, always cut forward in a straight line without forcing the saw. Forcing or twisting the saw will put a strain on the motor, and at the very least result in decreased efficiency or possible overheating damage. More seriously, it could cause dangerous kickback of the saw resulting in severe injury.

- Always operate the saw firmly, using the rear and auxiliary handles.
- Offer the base of the saw to the workpiece without blade contact.
- Switch on and wait until full speed is attained, then advance the saw, keeping it flat and cutting smoothly until the cut is complete – Straight line sawing at a uniform speed of advance will obtain the best clean cuts.
- After releasing the trigger switch, wait until the blade has fully stopped before withdrawing.

10. MAINTENANCE AND TROUBLESHOOTING

10.1 MAINTENANCE

Regular inspection and cleaning reduces the necessity for maintenance operations and will keep your tool in good working condition.

The motor must be correctly ventilated during tool operation. Avoid blocking the air inlets and vacuum the ventilation slots regularly.

10.2 TROUBLESHOOTING

Note: Remove the plug from the socket before carrying out adjustment, servicing or maintenance.

Problem	Cause	Remedy
Machine does not start.	<ol style="list-style-type: none">1. Fuse.2. Brushes worn.3. Other.	<ol style="list-style-type: none">1. Replace time delay fuse or reset circuit breaker.2. Have brushes replaced by an authorised service centre.3. Contact an authorised service centre.
Poor cutting performance.	<ol style="list-style-type: none">1. Saw blade blunt.2. Saw blade incorrectly mounted.3. Incorrect saw blade selection.	<ol style="list-style-type: none">1. Replace saw blade.2. Remove & refit saw blade as per instructions.3. Seek advice on suitable saw blades.
Saw vibrates.	<ol style="list-style-type: none">1. Saw blade distorted.2. Saw blade incorrectly mounted.	<ol style="list-style-type: none">1. Stop machine immediately & replace blade.2. Stop machine immediately. Remove & refit saw blade as per instructions.

11. OPTIONAL ACCESSORIES

11.1 OPTIONAL ACCESSORIES

A full range of accessories are available from Draper Tools.

Please visit our website for details: www.drapertools.com

12. DISPOSAL

12.1 DISPOSAL

- At the end of the machine's working life, or when it can no longer be repaired, ensure that it is disposed of according to national regulations.
- Contact your local authority for details of collection schemes in your area.

In all circumstances:

- Do not dispose of power tools with domestic waste.
- Do not incinerate.
- Do not dispose of WEEE* as unsorted municipal waste.



* *Waste Electrical & Electronic Equipment.*

13. EXPLANATION OF SYMBOLS

13.1 EXPLANATION OF SYMBOLS



Read the instruction manual.



Wear face mask and safety glasses.



Wear ear defenders.



Wear protective gloves.



Do not abandon into the environment.



Keep out of the reach of children.



Warning!



Warning!
Laser product

WARNING: LASER RADIATION – DO NOT STARE INTO BEAM
Class 2 LASER PRODUCT
Maximum Output Power _____ 1mW
Emitted Wavelength _____ 650nm
EN60825-1:1994 Safety of Laser Products



Single value noise marking.
(Maximum declared A-Weighted sound power level in decibels).



Class II construction
(Double insulated).



WEEE –
Waste Electrical & Electronic Equipment.
Do not dispose of Waste Electrical & Electronic Equipment in with domestic rubbish.



Lithium-ion product.

Li-ion



Do not incinerate or throw onto fire.



For indoor use only.
Do not expose to rain.



Short-circuit-proof safety isolating transformer.



Fuse.



Polarity indication.



Rated voltage.

CONTACTS

Draper Tools Limited, Hursley Road,
Chandler's Ford, Eastleigh, Hampshire. SO53 1YF. U.K.

Help line: (023) 8049 4344

Sales Desk: (023) 8049 4333

Internet: drapertools.com

E-mail: sales@drapertools.com

General Enquiries: (023) 8026 6355

Service/Warranty Repair Agent:

For aftersales servicing or warranty repairs, please contact the Draper Tools Help line for details of an agent in your local area.

YOUR DRAPER STOCKIST

TAKC1118

©Published by Draper Tools Limited.

No part of this publication may be reproduced, stored in a retrieval system or transmitted in any form or by any means, electronic, mechanical photocopying, recording or otherwise without prior permission in writing from Draper Tools Ltd.