

DRAPER

EN

Original Instructions
Version 3 - May 2025

STORMFORCE

230V 82MM

PLANER

57559



UK
CA CE

1. Preface

These are the original product instructions. This document is part of the product; retain it for the life of the product, passing it on to subsequent holders. Read this manual in full before attempting to assemble, operate or maintain this product.

This Draper Tools manual describes the purpose of the product and contains all the necessary information to ensure its correct and safe use. Following all the instructions and guidance in this manual will ensure the safety of both the product and the operator and increase the lifespan of the product.

All photographs and drawings within this manual are supplied by Draper Tools to help illustrate correct operation of the product.

Every effort has been made to ensure the information contained in this manual is accurate. However, Draper Tools reserves the right to amend this document without prior warning. Always use the latest version of the product manual.

1.1 Product Reference

User Manual for: 230V 82MM Planer

Stock No: 57559

Part No: P600SF82

1.2 Revisions

Version 1: December 2018

First release

Version 2: March 2021

Version 3: May 2025

As our manuals are continually updated, always ensure that the latest version is used.

Please visit drapertools.com/manuals for the latest version of this manual and the associated parts list, if applicable.

1.3 Understanding the Safety Content of This Manual



WARNING! – Situations or actions that may result in personal injury or death.



CAUTION! – Situations or actions that may result in damage to the product or surroundings.

Important: – Information or instructions of particular importance.

1.4 Copyright © Notice

Copyright © Draper Tools Limited.

Permission is granted to reproduce this manual for personal and educational use **ONLY**. Commercial copying, redistribution, hiring or lending is strictly prohibited.

No part of this manual may be stored in a retrieval system or transmitted in any other form or means without written permission from Draper Tools Limited.

In all cases, this copyright notice must remain intact.

1. Preface	2
1.1 Product Reference	2
1.2 Revisions	2
1.3 Understanding the Safety Content	2
1.4 Copyright © Notice	2
2. Contents	3
3. Product Introduction	4
3.1 Intended Use	4
3.2 Specification	4
4. Health and Safety Information	5
4.1 General Power Tool Safety Warnings	5
4.2 Additional Safety Instructions for Planers	6
4.3 Connection to the power Supply	7
4.4 Residual Risk	7
5. Identification and Unpacking	8
5.1 Product Overview	8
5.2 Packaging	9
6. Preparation Instructions	10
6.1 Installing the Dust Collector	10
6.2 Cutting Depth Adjustment	10
7. Operating Instructions	10
7.1 ON/OFF Switch	10
7.2 General Operation	11
7.3 Bevel Edges	11
7.4 Planing with the Guide Bar	11
8. Maintenance & Troubleshooting	12
8.1 General Maintenance	12
8.2 Blade replacement	12
8.3 Transmission Belt Replacement	13
8.4 Troubleshooting	13
9. Disposal	14
10. Warranty	14
11. Explanation of Symbols	15

3. Product Introduction

3.1 Intended Use

This electric planer is designed for flattening, smoothing and edge bevelling of wood and other timber derived materials.

Any other application beyond the conditions established

for use will be considered misuse. Draper Tools accepts no responsibility for improper use of this product.

Read this manual in full before attempting to assemble, operate or maintain the product, and retain it for later use.

3.2 Specification

Stock No.	57559
Part No.	P600SF82
Rated voltage	230V/50Hz
Rated input	600W
Speed (no load)	17,000rpm
Planing dimensions	
Width	82mm
Depth	0 – 2mm
Noise level	
Sound pressure level	91.2dB (A)
Sound power level	102.2dB(A)
Vibration level	4.13M/S ²
Net weight	2.7kg

Important: The declared vibration total values and noise emissions values have been measured in accordance with a standard test method and may be used for comparing one tool with another. These values may also be used in a preliminary assessment of exposure.



WARNING! The vibration and noise emissions during actual use of the product can differ from the declared values depending on the type of work and the area upon which it is used. Before each use, estimate the likely exposure resulting from the actual conditions of use. Take into account all parts of the operation cycle in order to identify any safety measures required to protect the operator.

4.1 General Power Tool Safety Warnings



WARNING! Read all safety warnings, instructions, illustrations and specifications provided with this power tool. Failure to follow all instructions listed below may result in electric shock, fire and/or serious injury.

Save all warnings and instructions for future reference.

The term "power tool" in the warnings refers to your mains-operated (corded) power tool or battery-operated (cordless) power tool.

Work Area Safety

- **Keep work area clean and well lit.**
 - Cluttered or dark areas invite accidents.
- **DO NOT operate power tools in explosive atmospheres, such as in the presence of flammable liquids, gases or dust.**
 - Power tools create sparks which may ignite the dust or fumes.
- **Keep children and bystanders away while operating a power tool.**
 - Distractions can cause you to lose control.

Electrical Safety

- **Power tool plugs must match the outlet. Never modify the plug in any way. DO NOT use any adapter plugs with earthed (grounded) power tools.**
 - Unmodified plugs and matching outlets will reduce risk of electric shock.
- **Avoid body contact with earthed or grounded surfaces, such as pipes, radiators, ranges and refrigerators.**
 - There is an increased risk of electric shock if your body is earthed or grounded.
- **DO NOT expose power tools to rain or wet conditions.**
 - Water entering a power tool will increase the risk of electric shock.
- **DO NOT abuse the cord. NEVER use the cord for carrying, pulling or unplugging the power tool. Keep cord away from heat, oil, sharp edges or moving parts.**
 - Damaged or entangled cords increase the risk of electric shock.
- **When operating a power tool outdoors, use an extension cord suitable for outdoor use.**
 - Use of a cord suitable for outdoor use reduces the risk of electric shock.

- **If operating a power tool in a damp location is unavoidable, use a residual current device (RCD) protected supply.**
 - Use of an RCD reduces the risk of electric shock.

Personal Safety

- **Stay alert, watch what you are doing and use common sense when operating a power tool. DO NOT use a power tool while you are tired or under the influence of drugs, alcohol or medication.**
 - A moment of inattention while operating power tools may result in serious personal injury.
- **Use personal protective equipment. ALWAYS wear eye protection.**
 - Protective equipment such as a dust mask, non-skid safety shoes, hard hat or hearing protection used for appropriate conditions will reduce personal injuries.
- **Prevent unintentional starting. Ensure the switch is in the 'OFF' position before connecting to power source, picking up or carrying the tool.**
 - Carrying power tools with your finger on the switch or energising power tools that have the switch on invites accidents.
- **Remove any adjusting key or wrench before turning the power tool on.**
 - A wrench or a key left attached to a rotating part of the power tool may result in personal injury.
- **DO NOT overreach. Keep proper footing and balance at all times.**
 - This enables better control of the power tool in unexpected situations.
- **Dress properly. DO NOT wear loose clothing or jewellery. Keep your hair, clothing and gloves away from moving parts.**
 - Loose clothes, jewellery or long hair can be caught in moving parts.
- **If devices are provided for the connection of dust extraction and collection facilities, ensure these are connected and properly used.**
 - Use of dust collection can reduce dust-related hazards.
- **DO NOT let familiarity gained from frequent use of tools allow you to become complacent and ignore tool safety principles.**
 - A careless action can cause severe injury within a fraction of a second.

4. Health and Safety Information

Power Tool Use and Care

- **DO NOT force the power tool. Use the correct power tool for your application.**
 - The correct power tool will do the job better and safer at the rate for which it was designed.
- **DO NOT use the power tool if the switch does not turn it on and off.**
 - Any power tool that cannot be controlled with the switch is dangerous and must be repaired.
- **Disconnect the plug from the power source and/or remove the battery pack, if detachable, from the power tool, before making any adjustments, changing accessories or storing power tools.**
 - Such preventive safety measures reduce the risk of starting the power tool accidentally.
- **Store idle power tools out of the reach of children and DO NOT allow persons unfamiliar with the power tool or these instructions to operate the power tool.**
 - Power tools are dangerous in the hands of untrained users.
- **Maintain power tools and accessories. Check for misalignment or binding of moving parts, breakage of parts and any other condition that may affect the power tool's operation. If damaged, have the power tool repaired before use.**
 - Many accidents are caused by poorly maintained power tools.
- **Keep cutting tools sharp and clean.**
 - Properly maintained cutting tools with sharp cutting edges are less likely to bind and are easier to control.
- **Use the power tool, accessories and tool bits etc. in accordance with these instructions, taking into account the working conditions and the work to be performed.**
 - Use of the power tool for operations different from those intended could result in a hazardous situation.
- **Keep handles and grasping surfaces dry, clean and free from oil and grease.**
 - Slippery handles and grasping surfaces do not allow for safe handling and control of the tool in unexpected situations.

Service

- **Have your power tool serviced by a qualified repair person using only identical replacement parts.**
 - This will ensure that the safety of the power tool is maintained.

4.2 Additional Safety Instructions for Planers

- **Wait for the cutter to stop before setting the tool down.**
 - An exposed rotating cutter may engage the surface leading to possible loss of control and serious injury.
- **Hold the power tool by insulated gripping surfaces only, because the cutter may contact its own cord.**
 - Cutting a “live” wire may make exposed metal parts of the power tool “live” and could give the operator an electric shock.
- **Use clamps or another practical way to secure and support the workpiece to a stable platform.**
 - Holding the workpiece by your hand or against the body leaves it unstable and may lead to loss of control.
- **NEVER** put your hand into the dust extraction vent.
 - Rotating parts present a risk of injuries.
- **Start the tool prior to applying the blades to the material.**
 - Risk of unexpected movements as the tool may be seized in the material.
- **ALWAYS hold the machine flat so that the plates fully rest on the machined material.**
 - The plane will become tilted and could cause personal injury.
- **NEVER work with materials that may contain metal parts such as nails or screws.**
 - This may lead to damage to the cutting shaft or blades themselves or lead to excessive vibrations.
- **ALWAYS** wear a dust mask when operating this planer.

4.3 Connection to the power Supply



CAUTION!

Risk of electric shock. DO NOT open.

This appliance is supplied with an approved plug and cord for your safety.

If the power supply cord is damaged, it must be replaced by Draper Tools, an authorised service agent or similarly qualified personnel in order to avoid a hazard.

The damaged or incomplete plug, when cut from the cord, shall be disabled to prevent connection to a live electrical outlet.

This appliance is Class II¹ and is designed for connection to a power supply matching that detailed on the rating label and compatible with the plug fitted.

The value of the fuse fitted is marked on the pin face of the plug. Should the fuse need replacing, use a small plain-slot screwdriver to remove the fuse cover. Ensure the substitute is of the correct rating, approved to BS1362 and ASTA or BS Kite marked. This should only be performed by suitably qualified personnel.




ASTA



BSI

Important: If an extension lead is required, use an approved and compatible lead rated for this appliance.

Unwind the entire cable and follow all the instructions supplied with the extension lead.

¹Double insulated : This product requires no earth connection as supplementary insulation is applied to the basic insulation to protect against electric shock in the event of failure of the basic insulation.

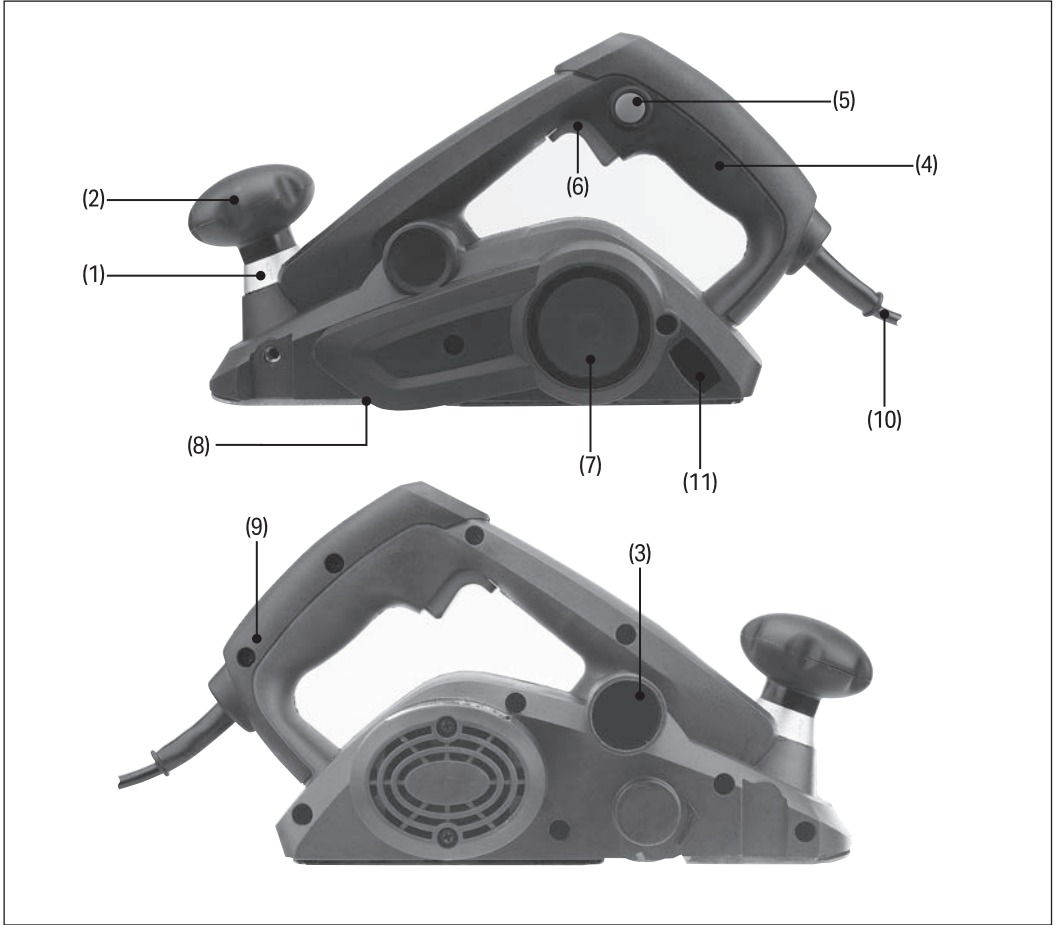
4.4 Residual Risk

The safety instructions in this manual cannot account for all possible conditions and situations that may occur. Exercise common sense and caution when using this product and protect against any additional conceivable risks.

5. Identification and Unpacking

Carefully remove the product from the packaging and examine it for any signs of damage that may have occurred during shipment. If any part is damaged or missing, do not attempt to use the product. Please contact the Draper Helpline; contact details can be found at the back of this manual.

5.1 Product Overview



(1) Cutting depth scale

(2) Cutting depth adjustment knob

(3) Dust extraction outlet

(4) Handle

(5) Safety lock button

(6) **ON/OFF** trigger

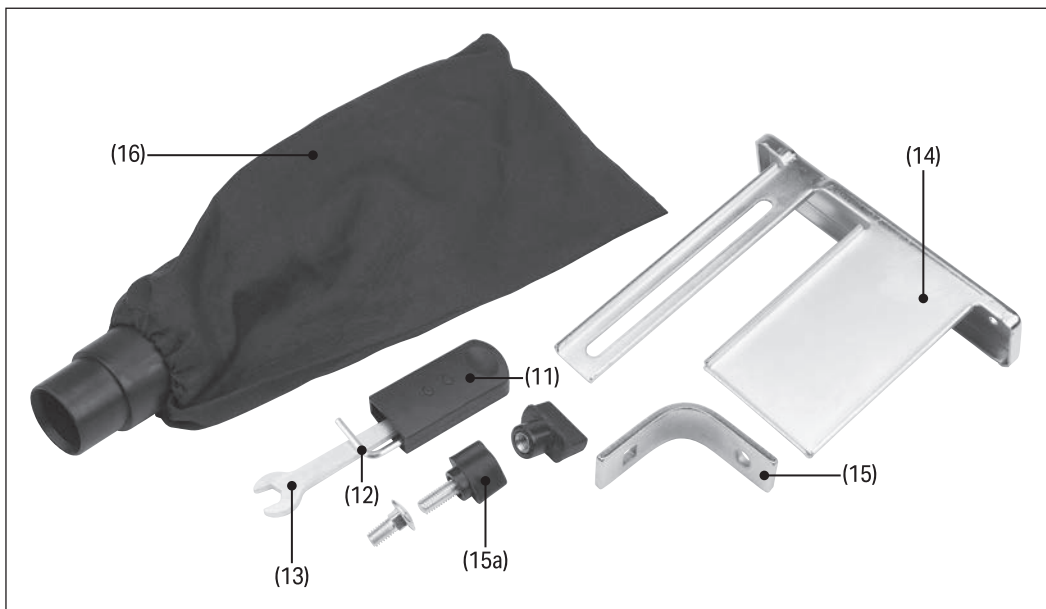
(7) Transmission belt cover

(8) 65Mn Blades (supplied fitted)

(9) Soft grip

(10) Cord and plug

(11) Hex key and spanner holder



(12) Hex key*

(13) Spanner*

(14) Guide bar

(15) Angle bracket for guide bar

(15a) bracket fixings

(16) Dust collection bag

* supplied in holder (11) fitted to planer

5.2 Packaging

Keep the product packaging for the duration of the warranty period for reference should the product need to be returned for repair.

WARNING! Keep packaging materials out of reach of children. Dispose of packaging correctly and responsibly and in accordance with local regulations.

Please visit drapertools.com for our full range of accessories and consumables.

6. Preparation Instructions

Important: Before preparing or adjusting this product, read and understand all the safety instructions listed in this manual.

6.1 Installing the Dust Collector (Fig.1)

- Insert the dust collector bag (16) nozzle into the dust extraction outlet (3) until secure.

⚠ WARNING! NEVER put fingers into the dust extraction outlet. If the outlet clogs, disconnect the tool from the power supply before removing the obstruction.

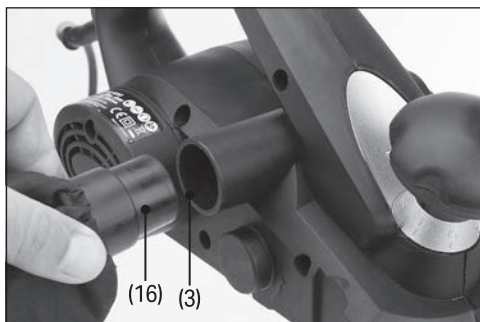


Fig. 1

6.2 Cutting Depth Adjustment (Fig.2)

- Use the cutting depth adjustment knob (2) to gradually change the cutting depth (0 – 2mm) as indicated on the cutting depth scale (1).

Clockwise Rotation – increases the depth.

Anticlockwise Rotation – reduces the depth.

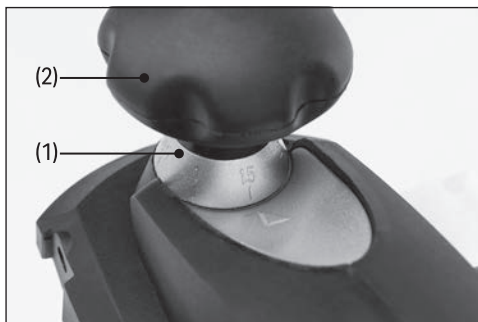


Fig. 2

7. Operating Instructions

Important: Before operating this product, read and understand all the safety instructions listed in this manual. Ensure that the product is fully assembled and correctly prepared for use.

7.1 ON/OFF Switch (Fig.3)

- The planer is fitted with a safety locking button (5) to prevent accidental starting.
- To start the planer – press the locking button (5) in and then operate the **ON/OFF** trigger (6).
 - During operation the **ON/OFF** trigger cannot be locked on.
 - Release the **ON/OFF** to switch the planer off.

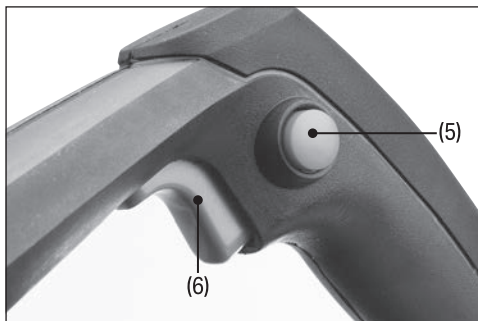


Fig. 3

7.2 General Operation

- Set the desired cutting depth and place the front sole of the shoe plate onto the surface to be machined.

⚠ WARNING! Only start planing once the tool has reached maximum speed. There is a risk of a powerful kickback prior to full speed.

- Switch the tool on and hold with both hands. Move the planer smoothly and evenly down the entire surface to be machined. Both the front and rear soles of the shoe plate must rest firmly on the machined item.

⚠ CAUTION! Keep the power cord at a safe distance from the rotating parts of the tool.

- Push the planer gently and with equal pressure across the planer shoe.
- When machining hard materials (e.g. hard timber grades) or using the whole width of the tool it is recommended to only use a low cutting depth and reduce the tool speed.
- Moving too quickly will reduce the quality of the finish and may lead to the tool overloading or the dust extraction outlet clogging.
- For final finishing use a low cutting depth and machine the surface with multiple passes.

Note: If the planer stalls, disconnect from the power supply, remove the obstruction and check the condition of the blades. **NEVER** use the tool with damaged parts.

7.3 Bevel Edges (Fig.4)

- Use the V-shaped groove (A) running down the front sole of the shoe plate for 45° angled bevelling of edges.
- Place the groove onto the machined edge and drive the tool forward. Keep the angle constant for the best finish.
- **Note:** only sharp cutting blades will guarantee a high-quality finish and prevent damage to the tool.

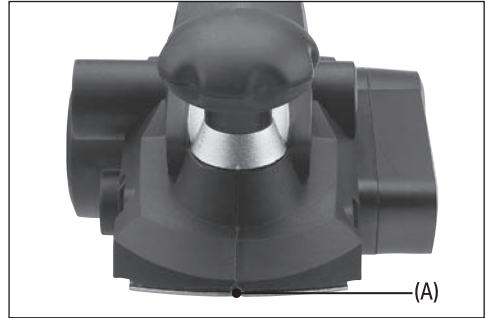


Fig. 4

7.4 Planing with the Guide Bar (Fig.5)

- Use the guide bar (14) for cutting out recessed planes.
- Install the guide bar (14) onto the tool with the angle bracket (15) and fixings (15a).
- To adjust the width of the planer, release the fixing nut, move the guide bar vertically against the angle bracket to the desired width, then retighten the nut.
- Drive the planer with a moderate lateral pushing force.

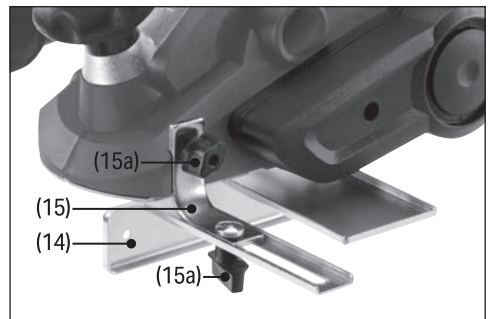


Fig. 5

8. Maintenance & Troubleshooting

Important: Unplug the tool from the power supply before carrying out any adjustment, servicing or maintenance.

8.1 General Maintenance

- Regular inspection and cleaning will keep your tool in good working condition.
- The motor must be correctly ventilated during operation. Avoid blocking the air inlets and vacuum the ventilation slots regularly.
- **DO NOT** use solvents or abrasives to clean the tool.
- Store the tool in a safe dry area, out of the reach of children

8.2 Blade replacement (Fig. 6-8)

The planer is supplied with two hard alloy rotating cutter blades. **NEVER** attempt to sharpen cutters made of hard alloy. Worn, blunt or damaged cutters must be replaced with new ones.

CAUTION! Wear protective gloves to avoid injury when replacing the blades. **DO NOT** touch the blades.

To replace the cutter blades:

1. Rotate the cutting shaft until the blade lines up with the notch in the casing.
2. Loosen the three fixing bolts (B) using the spanner (13) supplied.

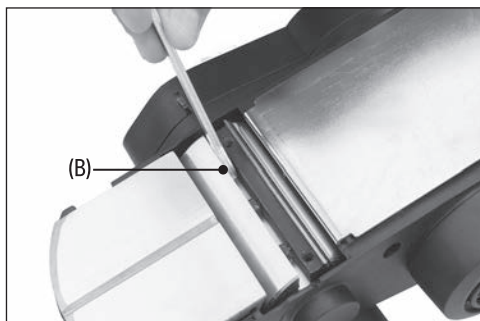


Fig. 6

3. Push the blade out of the holder through the notch using a small piece of wood to avoid damage any of the metal parts.

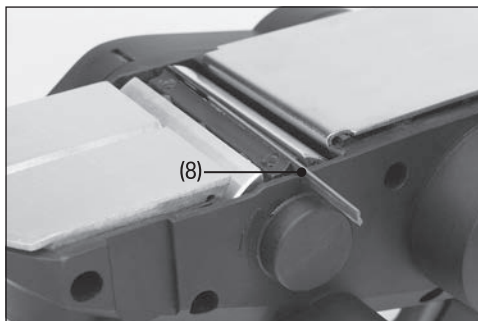


Fig. 7

4. Clean the holder to remove any sawdust or debris.
5. Install the new blade (8) by sliding it through the notch and into the holder.
6. Tighten the three fixing bolts just enough to locate the blade correctly.
7. Use a straight edge (such as a steel rule) on the rear sole plate to check the blade level is correct.

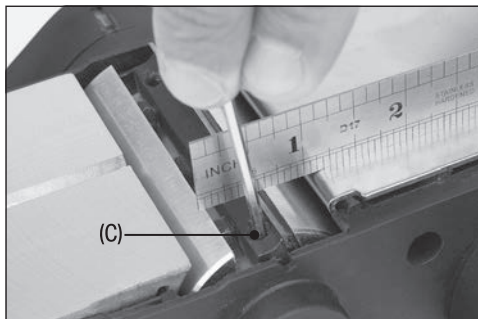


Fig. 8

8. Adjust the two grub screws (C) using the supplied hex key (12) until the blade is level and both blades are equally exposed.
- Take care to ensure the blade holders are centrally located in the cutter shaft and the fixing bolts are fully tightened.
 - To ensure even wear and the best performance swap the position of the blades occasionally.

8.3 Transmission Belt Replacement (Fig.9 – Fig.11)

To replace the transmission belt:

1. Use a cross-slot screwdriver (not supplied) to unscrew the two fixing bolts and remove the cover (7).

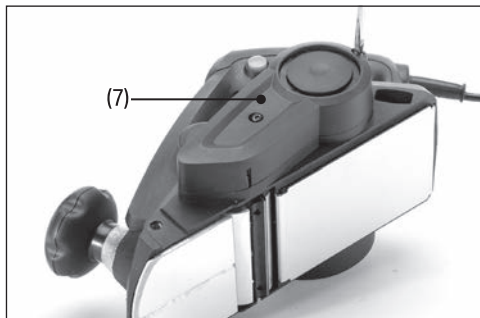


Fig. 9

2. Remove the damaged transmission belt.
3. Clean the belt pulleys with a soft brush.

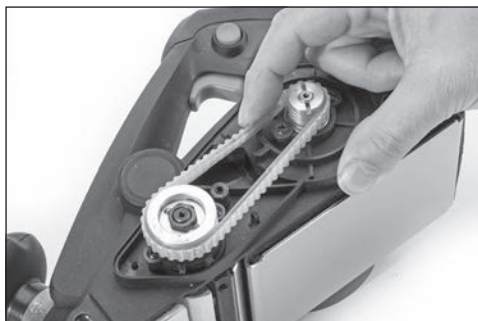


Fig. 10

4. Place the new belt on the groove of the smaller pulley. Then rotate the larger pulley to drive the belt into its groove.
5. Ensure the belt is correctly located, then refit the cover and refit the screws.

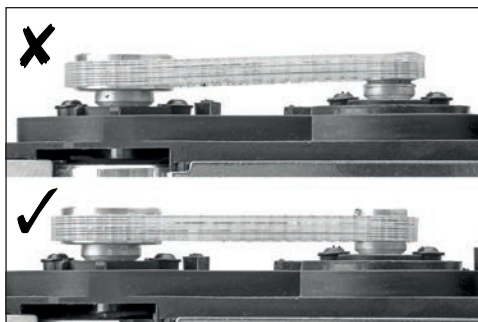


Fig. 11

8.4 Troubleshooting

Problem	Possible Cause	Remedy
Tool not operating	Fuse blown	Check and replace the fuse.
	Power cord damaged	Have the cord replaced by Draper Tools, an authorised service agent or similarly qualified personnel in order to avoid a hazard.
Irregular operation of the motor	Worn carbon brushes	Contact Draper Tools for advice
Cutting roller fails to rotate	Transmission belt is worn or damaged	Replace the belt – see 8.3

9. Disposal

At the end of its working life, dispose of the product responsibly and in line with local regulations. Recycle where possible.

DO NOT dispose of this product with domestic waste; most local authorities provide appropriate recycling facilities.



10. Warranty

12 months from date of purchase - Visit [drapertools.com/warranty](https://www.drapertools.com/warranty) for more information.

However, if the tools are hired out, the warranty period is 90 days from the date of purchase.

11. Explanation of Symbols



Read the instruction manual



Warning!



Wear face mask and safety glasses



Wear ear defenders



Class II construction
(Double insulated)



WEEE -

Waste Electrical & Electronic Equipment

Do not dispose of Waste Electrical & Electronic Equipment
in with domestic rubbish



European conformity



UK Conformity Assessed

Contact Details

Draper Tools

Draper Tools Limited
Hursley Road
Chandler's Ford
Eastleigh
Hampshire
SO53 1YF
UK

Website: drapertools.com

Email: sales@drapertools.com

Product Helpline: +44 (0) 23 8049 4344

Telephone Sales Desk: +44 (0) 23 8049 4333

General Enquiries: +44 (0) 23 8026 6355

Delta International

Delta International BV
Oude Graaf 8
6002 NL
Weert
Netherlands

Please contact the Draper Tools Product Helpline for repair and servicing enquiries.