

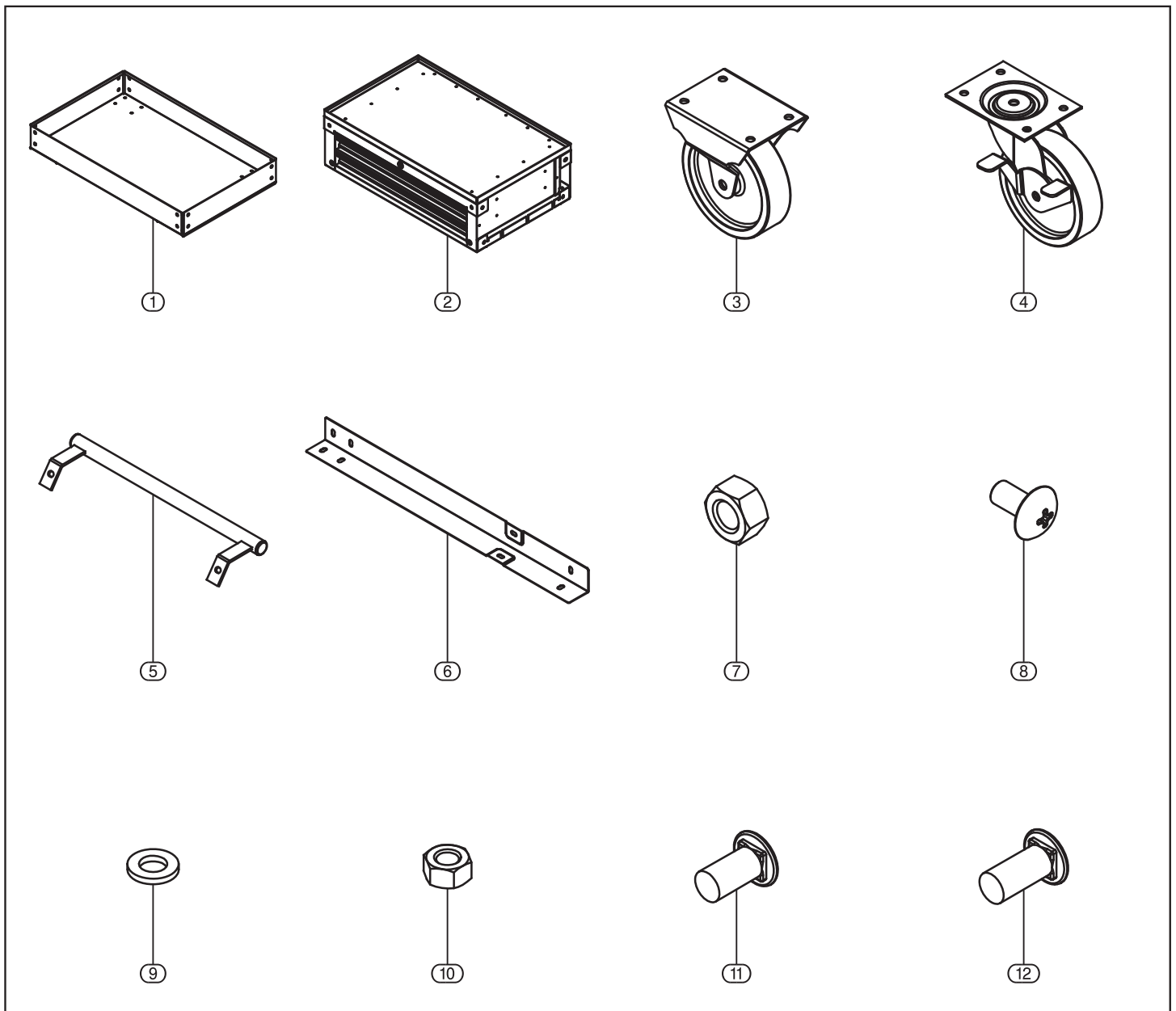
UNPACKING & CHECKING

Carefully remove the trolley from the packaging and examine it for any sign of damage that may have happened during shipping. Lay the contents out and check them against the parts shown below. If any part is damaged or missing; please contact the Draper Helpline (the telephone number appears at the bottom of this page) and do not attempt to use the trolley.

The packaging material should be retained at least during the guarantee period: in case the machine needs to be returned for repair.

Warning! Some of the packaging materials used may be harmful to children. Do not leave any of these materials in the reach of children. If any of the packaging is to be thrown away, make sure they are disposed of correctly; according to local regulations.

WHAT'S IN THE BOX?



① 1x Bottom shelf.

② 1x Upper shelf.

③ 2x Rigid castors.

④ 2x Swivel castors.

⑤ 1x Handle.

⑥ 4x Corner frame.

⑦ 32x Hex. nuts.

⑧ 16x Bolts for castors.

⑨ 16x Washers for castors.

⑩ 16x Hex. nuts for castors.

⑪ 30x Bolts.

⑫ 2x Bolts.

