

**DRAPER**<sup>®</sup>

INSTRUCTIONS FOR

**800mm**

# Fold Down Workbench

Stock No.21353 Part No.WB800Y

**IMPORTANT:** PLEASE READ THESE INSTRUCTIONS CAREFULLY TO ENSURE THE SAFE AND EFFECTIVE USE OF THIS PRODUCT.



CE

**DRAPER**<sup>®</sup>

## GENERAL INFORMATION

These instructions accompanying the product are the original instructions. This document is part of the product, keep it for the life of the product passing it on to any subsequent holder of the product. Read all these instructions before assembling, operating or maintaining this product.

This manual has been compiled by Draper Tools describing the purpose for which the product has been designed, and contains all the necessary information to ensure its correct and safe use. By following all the general safety instructions contained in this manual, it will ensure both product and operator safety, together with longer life of the product itself.

All photographs and drawings in this manual are supplied by Draper Tools to help illustrate the operation of the product.

Whilst every effort has been made to ensure the accuracy of information contained in this manual, the Draper Tools policy of continuous improvement determines the right to make modifications without prior warning.

# 1. TITLE PAGE

---

## **1.1 INTRODUCTION:**

USER MANUAL FOR:

## **800mm FOLD DOWN WORKBENCH**

Stock no. 21353

Part no. WB800Y

## **1.2 REVISIONS:**

---

Date first published August 2012

---

---

---

As our user manuals are continually updated, users should make sure that they use the very latest version.

Downloads are available from: <http://www.drapertools.com/b2c/b2cmanuals.pgm>

DRAPER TOOLS LIMITED  
HURSLEY ROAD  
CHANDLER'S FORD  
EASTLEIGH  
HAMPSHIRE  
SO53 1YFUK

WEBSITE: [www.draper.co.uk](http://www.draper.co.uk)  
PRODUCT HELPLINE: +44 (0) 23 8049 4344  
GENERAL FAX: +44 (0) 23 8026 0784

## **1.3 UNDERSTANDING THIS MANUALS SAFETY CONTENT:**

**WARNING!** Information that draws attention to the risk of injury or death.

**CAUTION!** Information that draws attention to the risk of damage to the product or surroundings.

## **1.4 COPYRIGHT © NOTICE:**

Copyright © Draper Tools Limited.

Permission is granted to reproduce this publication for personal & educational use only. Commercial copying, redistribution, hiring or lending is prohibited.

No part of this publication may be stored in a retrieval system or transmitted in any other form or means without written permission from Draper Tools Limited.

In all cases this copyright notice must remain intact.

---

# 2. CONTENTS

---

## 2.1 CONTENTS

<b>PAGE</b>	<b>CONTENT</b>	<b>PAGE</b>
1	TITLE PAGE	
	1.1 INTRODUCTION .....	2
	1.2 REVISION HISTORY .....	2
	1.3 UNDERSTANDING THIS MANUAL .....	2
	1.4 COPYRIGHT NOTICE .....	2
2	CONTENTS	
	2.1 CONTENTS .....	3
3	GUARANTEE	
	3.1 GUARANTEE .....	4
4	INTRODUCTION	
	4.1 SCOPE .....	5
	4.2 SPECIFICATION .....	5
	4.3 HANDLING & STORAGE .....	5
5	HEALTH & SAFETY INFORMATION	
	5.1 GENERAL SAFETY INSTRUCTIONS .....	6
6	TECHNICAL DESCRIPTION	
	6.1 IDENTIFICATION .....	8B
7	UNPACKING & CHECKING	
	7.1 PACKAGING .....	8A
	7.2 WHAT'S IN THE BOX .....	8A
8	PREPARING THE WORKBENCH	
	8.1 LEGS ASSEMBLY .....	9
	8.2 CLAMP RAILS .....	9
	8.3 BENCH TOP .....	10
	DECLARATION OF CONFORMITY .....	ENCLOSED

## 3. GUARANTEE

---

### 3.1 GUARANTEE

Draper tools have been carefully tested and inspected before shipment and are guaranteed to be free from defective materials and workmanship.

Should the tool develop a fault, please return the complete tool to your nearest distributor or contact Draper Tools Limited, Chandler's Ford, Eastleigh, Hampshire, SO53 1YF. England. Telephone: (023) 8026 6355.

A proof of purchase must be provided with the tool.

If upon inspection it is found that the fault occurring is due to defective materials or workmanship, repairs will be carried out free of charge. This guarantee period covering parts/labour is 12 months from the date of purchase. The guarantee is extended to 24 months for parts only. This guarantee does not apply to normal wear and tear, nor does it cover any damage caused by misuse, careless or unsafe handling, alterations, accidents, or repairs attempted or made by any personnel other than the authorised Draper warranty repair agent.

Note: If the tool is found not to be within the Terms of Warranty, repair and carriage charges will be quoted and made accordingly.

This guarantee applies in lieu of any other guarantee expressed or implied and variations of its terms are not authorised.

Your Draper guarantee is not effective unless you can produce upon request a dated receipt or invoice to verify your proof of purchase within the guarantee period.

Please note that this guarantee is an additional benefit and does not affect your statutory rights.

Draper Tools Limited.

Note: This tool is intended for domestic use only.

## 4. INTRODUCTION

---

### 4.1 SCOPE

This workbench is ideal for use by tradesmen and DIY enthusiasts.

### 4.2 SPECIFICATION

Stock No.....	21353
Part No.....	WB800Y
Bench folded:	
width .....	800mm (max.)
height.....	1000mm
depth .....	185mm
Bench full height	
width .....	800mm (max.)
height.....	800mm
depth .....	655mm
Maximum clamping width.....	440mm
Maximum load capacity.....	120kg (evenly distributed)
Weight (workbench only).....	10.2kg

### 4.3 HANDLING & STORAGE

Take care when handling and lifting. Do not drop this workbench.

Store in a dry location out of the reach of children.

## 5. HEALTH & SAFETY INFORMATION

---

### ***5.1 GENERAL SAFETY INSTRUCTIONS***

The workbench must be:

- Fully assembled with all locking mechanisms engaged;
- Positioned on stable, firm and level ground.

Never try to:

- Climb or stand on the bench top;
- Exceed the weight limit on the jaw (see spec. for weights).
- Take care when lifting the workbench.
- Do not over tighten the clamps.
- Do not expose the workbench to rain.
- Store the workbench in a secure, dry location to prevent damage.

---

- *Blank page* -

---

- *Blank page* -



# 6. TECHNICAL DESCRIPTION

---

## 6.1 IDENTIFICATION



- ① Front cross member
- ② Left hand leg assembly
- ③ Clamp handle
- ④ Clamp rail

- ⑤ Front bench top
- ⑥ Rear bench top
- ⑦ Right hand leg assembly
- ⑧ Rear cross member

# 7. UNPACKING & CHECKING

---

## 7.1 PACKAGING

Carefully remove the workbench from the packaging and examine it for any sign of damage that may have happened during shipping. Lay the contents out and check them against the parts shown below. If any part is damaged or missing; please contact the Draper Helpline (the telephone number appears on the Title page) and do not attempt to use the workbench.

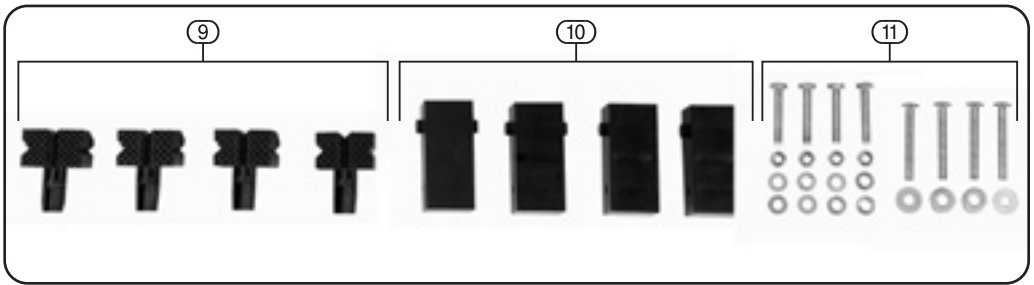
The packaging material should be retained at least during the guarantee period; in case the machine needs to be returned for repair.

**Warning!** Some of the packaging materials used may be harmful to children. Do not leave any of these materials in the reach of children.

If any of the packaging is to be thrown away, make sure they are disposed of correctly; according to local regulations.

## 7.2 WHAT'S IN THE BOX?

As well as the worktop frame and main frame; there are several parts not fitted or attached to it.



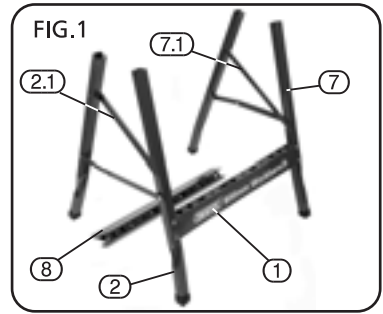
- ⑨ Clamp blocks
- ⑩ Support blocks
- ⑪ fixing kit

## 8. PREPARING THE WORKBENCH

### 8.1 LEGS ASSEMBLY - FIGS. 1 - 2

- i. Arrange the left (2) and right (7) leg assemblies so that the diagonal braces (2.1) and (7.1) are on the inside.
- ii. Connect the left leg assembly (2) to the right leg assembly (7) with cross braces (1) and (8) using the 4 M6 x 44 screws, washers and 10mm nuts.

NOTE: A No.2 cross slot screwdriver and 10mm spanner are required.

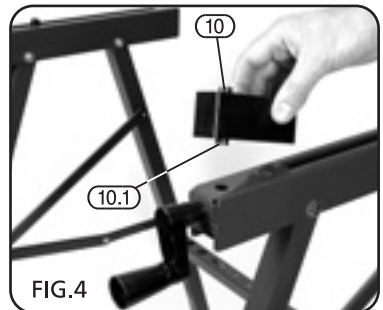
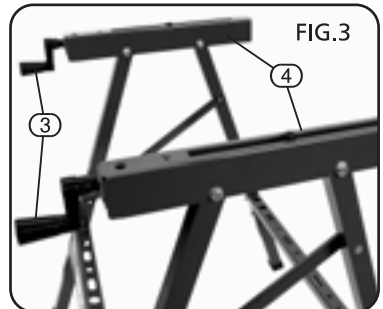


### 8.2 CLAMP RAILS- FIGS. 3 - 4

Both clamp rails (4) are identical.

- i. Slot the clamp rail (4) over the top of a front and rear leg so the clamp handle (3) is at the front.
- ii. Align the holes in the leg with the clamp rail and secure with the M8 x 50 bolts, washers and 13mm nuts.
- iii. Place the support blocks (10) on top of the clamp rails (4) ready to mount the bench tops.

NOTE: The two front support blocks differ from the two rear blocks. The two front blocks have a locating lug (10.1) that must be pushed into the appropriate hole in the clamp rail (4).

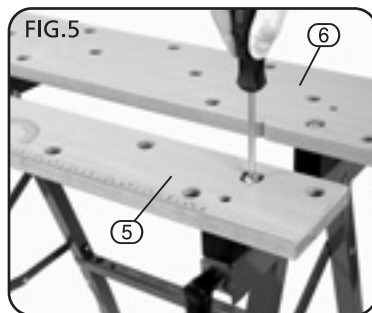


## 8. PREPARING THE WORKBENCH

---

### 8.3 BENCH TOP - FIG. 5

- i. Place the bench tops in position as illustrated.
- ii. Using a No.2 cross slot screwdriver attach the benchtops to the clamp rails with the four M8 x 63 screws.















- **DRAPER TOOLS LIMITED,**  
Hursley Road, Chandler's Ford,  
Eastleigh, Hampshire. SO53 1YF. U.K.
  
- **Helpline:** (023) 8049 4344
- **Sales Desk:** (023) 8049 4333
- **Internet:** [www.draper.co.uk](http://www.draper.co.uk)
- **E-mail:** [sales@drapertools.com](mailto:sales@drapertools.com)
- **Sales Fax:** (023) 8049 4209
- **General Enquiries:** (023) 8026 6355
  
- **Service/Warranty Repair Agent**  
For aftersales servicing or warranty repairs, please  
contact the Draper Tools Helpline for details of an  
agent in your local area.

YOUR DRAPER STOCKIST