



DRAPER[®]
Expert

WHEEL **DOLLIES**

23253



These instructions accompanying the product are the original instructions. This document is part of the product, keep it for the life of the product passing it on to any subsequent holder of the product. Read all these instructions before assembling, operating or maintaining this product.

This manual has been compiled by Draper Tools describing the purpose for which the product has been designed, and contains all the necessary information to ensure its correct and safe use. By following all the general safety instructions contained in this manual, it will ensure both product and operator safety, together with longer life of the product itself.

All photographs and drawings in this manual are supplied by Draper Tools to help illustrate the operation of the product.

Whilst every effort has been made to ensure the accuracy of information contained in this manual, the Draper Tools policy of continuous improvement determines the right to make modifications without prior warning.

1. TITLE PAGE

1.1 INTRODUCTION:

USER MANUAL FOR: Wheel Dollies

Stock No: 23253

Part No: WD2

1.2 REVISIONS:

Date first published September 2019.

As our user manuals are continually updated, users should make sure that they use the very latest version.

Downloads are available from: <http://drapertools.com/manuals>

Draper Tools Limited

Hursley Road

Chandler's Ford

Eastleigh

Hampshire

SO53 1YF

UK

Website: drapertools.com

Product Helpline: +44 (0) 23 8049 4344

General Fax: +44 (0) 23 8026 0784

1.3 UNDERSTANDING THIS MANUALS SAFETY CONTENT:

WARNING! – Information that draws attention to the risk of injury or death.

CAUTION! – Information that draws attention to the risk of damage to the product or surroundings.

1.4 COPYRIGHT © NOTICE:

Copyright © Draper Tools Limited.

Permission is granted to reproduce this publication for personal and educational use only. Commercial copying, redistribution, hiring or lending is prohibited.

No part of this publication may be stored in a retrieval system or transmitted in any other form or means without written permission from Draper Tools Limited.

In all cases this copyright notice must remain intact.

2. CONTENTS

1. TITLE PAGE	
1.1 INTRODUCTION.....	2
1.2 REVISION HISTORY	2
1.3 UNDERSTANDING THIS MANUAL	2
1.4 COPYRIGHT NOTICE	2
2. CONTENTS	
2.1 CONTENTS.....	3
3. WARRANTY	
3.1 WARRANTY.....	4
4. INTRODUCTION	
4.1 SCOPE.....	4
4.2 SPECIFICATION.....	4
4.3 HANDLING AND STORAGE.....	4
5. HEALTH AND SAFETY INFORMATION	
5.1 GENERAL SAFETY INSTRUCTIONS FOR DOLLY USE.....	4
6. TECHNICAL DESCRIPTION	
6.1 IDENTIFICATION.....	5
7. ASSEMBLING THE WHEEL DOLLIES	
7.1 CASTOR ASSEMBLY	5
8. SETTING THE DOLLIES	
8.1 BEFORE YOU START	5
8.2 MOVING THE VEHICLE	5
9. MAINTENANCE	5
DECLARATION OF CONFORMITY	ENCLOSED

3. WARRANTY

3.1 WARRANTY

Draper tools have been carefully tested and inspected before shipment and are guaranteed to be free from defective materials and workmanship.

Should the tool develop a fault, please return the complete tool to your nearest distributor or contact

Draper Tools Limited, Chandler's Ford, Eastleigh, Hampshire, SO53 1YF. England.

Telephone Sales Desk: (023) 8049 4333 or Product Help Line (023) 8049 4344.

A proof of purchase must be provided with the tool.

If upon inspection it is found that the fault occurring is due to defective materials or workmanship, repairs will be carried out free of charge. This warranty period covering labour is 12 months from the date of purchase except where tools are hired out when the warranty period is 90 days from the date of purchase. The warranty is extended to 24 months for parts only. This warranty does not apply to any consumable parts, any type of battery or normal wear and tear, nor does it cover any damage caused by misuse, careless or unsafe handling, alterations, accidents, or repairs attempted or made by any personnel other than the authorised Draper warranty repair agent.

Note: If the tool is found not to be within the terms of warranty, repairs and carriage charges will be quoted and made accordingly.

This warranty applies in lieu of any other warranty expressed or implied and variations of its terms are not authorised.

Your Draper warranty is not effective unless you can produce upon request a dated receipt or invoice to verify your proof of purchase within the warranty period.

Please note that this warranty is an additional benefit and does not affect your statutory rights.

Draper Tools Limited.

4. INTRODUCTION

4.1 SCOPE

Used for manoeuvring vehicles in tight spaces, ideal for body and paint shops, car showrooms and car parks..

4.2 SPECIFICATION

Stock No.	23253
Part No.	WD2
Max weight each dolly	454kg
Tyre width of vehicle	300mm (12")
Castor Ø	73mm (Approx.)

4.3 HANDLING AND STORAGE

Do not drop the wheel dollies as this can damage and shorten the life span of the unit.

Store in a dry location as damp conditions can damage the wheel dollies.

5. HEALTH AND SAFETY INFORMATION

5.1 GENERAL SAFETY INSTRUCTIONS FOR DOLLY USE

Warning: Ensure you adhere to Health & Safety, local authority, and general workshop practice regulations when using this equipment.

Familiarise yourself with this product's application and limitations, as well as warnings relating to their use.

Ensure the Wheel Dollies are in good condition and that all fixings are secure and in good working order.

Wheel Dollies must only be used in suitable, well lit areas, must be used in pairs at either the front or rear of the vehicle on the same axle.

They must never be used diagonally or sided.

Keep area clean, tidy and free from obstructions.

Use Wheel Dollies on level and solid ground, preferably concrete.

Maintain the Wheel Dollies in good condition.

Ensure there are no passengers in the vehicle.

Ensure the Wheel Dollies are free to move and that there are no obstructions in the area of use.

When not in use store Wheel Dollies in a safe, dry, area.

DO NOT start or drive the vehicle whilst it is raised on wheel dollies.

DO NOT use the Wheel Dollies for purposes other than that for which they are intended.

DO NOT allow untrained persons to operate the Wheel Dollies.

DO NOT leave the vehicle unattended whilst it is raised on the Wheel Dollies.

DO NOT operate the Wheel Dollies when you are tired or under the influence of alcohol, drugs or intoxicating medication.

DO NOT get the Wheel Dollies wet or use in damp or wet locations or areas where there is condensation.

DO NOT exceed the rated capacity of the Wheel Dollies. Remember that the front of a vehicle is usually heavier than the rear.

DO NOT use the Wheel Dollies to support a vehicle in order to do work underneath it.

Maintain correct balance and footing when moving vehicle. Ensure the floor is not slippery and wear non-slip shoes.

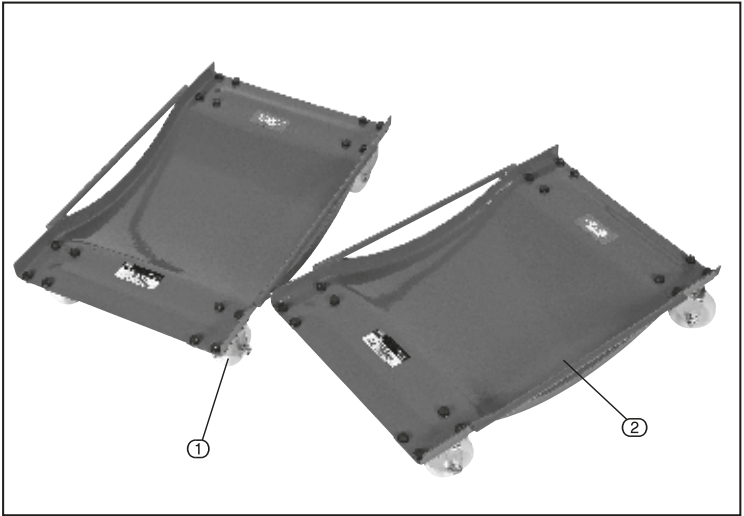
Ensure all non-essential persons keep a safe distance whilst the Wheel Dollies are in use.

Important: We recommend that at least 2 persons are involved in manoeuvring the vehicle when supported on wheel dollies. The vehicle's weight provides a large amount of inertia which has to be overcome to get the vehicle moving and more importantly, stopped.

Warning: The warnings, cautions and instructions covered in this manual cannot cover all possible conditions and situations that may occur. It must be understood that common sense and caution are factors which cannot be built into this product, but must be applied by the operator.

6. TECHNICAL DESCRIPTION

6.1 IDENTIFICATION

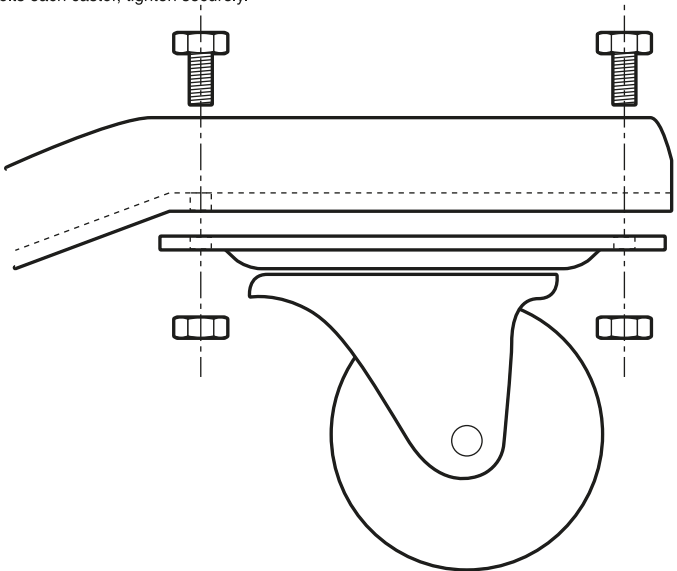


- ① Castor.
- ② Dolly.

7. ASSEMBLING THE WHEEL DOLLIES

7.1 CASTOR ASSEMBLY

4 bolts each castor, tighten securely.



8. SETTING THE DOLLIES

8.1 BEFORE YOU START

1. Ensure the vehicle is on a firm level, clear surface preferably concrete.
2. Make sure the hand brake is on.
3. Put chocks under wheels not being lifted
4. Jack the vehicles wheel up, one at a time approx. 120mm high.
5. Position one dolly centrally under the tyre.
6. Lower the vehicle carefully onto the dolly.
7. Repeat on adjacent wheel.

Warning: Wheel dollies MUST ONLY be used on the same axle - NEVER diagonally or one side of the vehicle.

8.2 MOVING THE VEHICLE

1. Carefully release hand brake or remove chocks.
2. The first move will be difficult as all castors need to be aligned.
3. Once aligned then move slowly and under control. Be aware that the vehicle will have significant momentum and measures must be in place to ensure the vehicle can be stopped safely and quickly to prevent damage or injury.

9. MAINTENANCE

Before each use check for any visible damage.

If any suspect item is found remove from service and take the necessary action to remedy the problem.

DO NOT use the dolly if you believe it to have been subjected to abnormal load or shock load. Keep the dolly clean and periodically lubricate the wheels and castor bearings.

CONTACTS

Draper Tools Limited, Hursley Road,
Chandler's Ford, Eastleigh, Hampshire. SO53 1YF. U.K.

Helpline: (023) 8049 4344

Sales Desk: (023) 8049 4333

Internet: drapertools.com

E-mail: sales@drapertools.com

General Enquiries: (023) 8026 6355

Service/Warranty Repair Agent:

For aftersales servicing or warranty repairs, please contact the
Draper Tools Helpline for details of an agent in your local area.

YOUR DRAPER STOCKIST

MSKC0919

©Published by Draper Tools Limited.

No part of this publication may be reproduced, stored in a retrieval system or transmitted in any form or by any means, electronic, mechanical photocopying, recording or otherwise without prior permission in writing from Draper Tools Ltd.