

DRAPER®

INSTRUCTIONS FOR 1 000W 1 10V/1 200W 230V 50L Wet & Dry Vacuum Cleaners

Stock No.08174
48499

Part No.WDV50SS/110
WDV50SS

IMPORTANT: PLEASE READ THESE INSTRUCTIONS CAREFULLY TO ENSURE THE SAFE AND EFFECTIVE USE OF THIS PRODUCT.



CE

Model 08174 shown

DRAPER®

GENERAL INFORMATION

Read all these instructions before operating this product and save these instructions.

This manual has been compiled by Draper Tools and is an integrated part of the product with which it is enclosed and should be kept with it for future references.

This manual describes the purpose for which the product has been designed and contains all the necessary information to ensure its correct and safe use. We recommend that this manual is read before any operation or, before performing any kind of adjustment to the product and prior to any maintenance tasks. By following all the general safety instructions contained in this manual, it will ensure both product and operator safety, together with longer life of the product itself.

All photographs and drawings in this manual are supplied by Draper Tools to help illustrate the operation of the product.

Whilst every effort has been made to ensure accuracy of information contained in this manual, the Draper Tools policy of continuous improvement determines the right to make modifications without prior warning.

Contents/Guarantee	1
Specification	2
Power supply	3
General safety instructions	4
Getting to know your vacuum cleaner	5
Assembly	6
Operation and use	6-10
Maintenance	11
Disposal	11
Explanation of Symbols/Pictograms	12
Declaration	enclosed

Draper tools have been carefully tested and inspected before shipment and are guaranteed to be free from defective materials and workmanship for a period of 12 months from the date of purchase except where tools are hired out when the guarantee period is ninety days from the date of purchase.

A proof of purchase must be provided with the tool.

Should the machine develop any fault, please return the complete tool to your nearest authorized warranty repair agent or contact Draper Tools Limited, Chandler's Ford, Eastleigh, Hampshire, SO53 1YF. England. Telephone Sales Desk: (023) 8049 4333 or Product Helpline (023) 8049 4344.

If upon inspection it is found that the fault occurring is due to defective materials or workmanship, repairs will be carried out free of charge. This guarantee does not apply to normal wear and tear, nor does it cover any damage caused by misuse, careless or unsafe handling, alterations, accident, or repairs attempted or made by any personnel other than the authorised Draper warranty repair agent.

NOTE: If the tool is found not to be within the terms of warranty, repairs and carriage charges will be quoted and made accordingly.

This guarantee applies in lieu of any other guarantee expressed or implied and variations of its terms are not authorised.

Your Draper guarantee is not effective unless you can produce upon request a dated receipt or invoice to verify your proof of purchase within the 12 month period.

Please note that this guarantee is an additional benefit and does not affect your statutory rights.

Draper Tools Limited



SPECIFICATION

The Draper Tools policy of continuous improvement determines the right to change specification without notice.


Stock no.	48499	08174
Part no.	WDV50SS	WDV50SS/110
Rated voltage	230~50Hz	115V~50Hz
Rated input	1400W	1000W
Tank volume	50L	50L
Vacuum pressure	26Kpa (260mbar)	24Kpa (240mbar)
Max. airflow	70L/sec	65L/sec
Power take off rating	2200W (max.)	1000W (max.)
Sound pressure level	<70dB(A)	75dB(A)
Weight (excluding accessories)	10.09kg	10kg



POWER SUPPLY

This appliance is Class I[†] NOT Class II. It is designed for connection to a power supply matching that detailed on the rating label and compatible with the plug fitted.

If an extension lead is required, use an approved and compatible lead rated for this appliance. Follow all the instruction supplied with the extension lead.

[†]Earthed  : This product requires an earth connection to protect against electric shock from accessible conductive parts in the event of a failure of the basic insulation.

Note:

It is advisable to use an RCD unit (Residual Current Device) when using this product,
Draper stock no.69307

IMPORTANT:

On products exceeding 2000W it is recommended that the power cable and/or extension cable are fully unwound before a connection is made to the power supply.
However, ensure the residual cable does not pose a trip hazard

General Power Tool Safety Warnings

⚠ WARNING: Read all safety warnings and all instructions. Failure to follow the warnings and instructions may result in electric shock, fire and/or serious injury.

Save all warnings and instructions for future reference.

The term "power tool" in the warnings refers to your mains operated (corded) power tool or battery-operated (cordless) power tool.

1) Work area safety

- a) **Keep work area clean and well lit.** Cluttered or dark areas invite accidents.
- b) **Do not operate power tools in explosive atmospheres, such as in the presence of flammable liquids, gases or dust.** Power tools create sparks which may ignite the dust or fumes.
- c) **Keep children and bystanders away while operating a power tool.** Distractions can cause you to lose control.

2) Electrical safety

- a) **Power tool plugs must match the outlet. Never modify the plug in any way. Do not use any adapter plugs with earthed (grounded) power tools.** Unmodified plugs and matching outlets will reduce risk of electric shock.
- b) **Avoid body contact with earthed or grounded surfaces such as pipes, radiators, ranges and refrigerators.** There is an increased risk of electric shock if your body is earthed or grounded.
- c) **Do not expose power tools to rain or wet conditions.** Water entering a power tool will increase the risk of electric shock.
- d) **Do not abuse the cord. Never use the cord for carrying, pulling or unplugging the power tool. Keep cord away from heat, oil, sharp edges or moving parts.** Damaged or entangled cords increase the risk of electric shock.
- e) **When operating a power tool outdoors, use an extension cord suitable for outdoor use.** Use of a cord suitable for outdoor use reduces the risk of electric shock.
- f) **If operating a power tool in a damp location is unavoidable, use a residual current device (RCD) protected supply.** Use of an RCD reduces the risk of electric shock.

3) Personal safety

- a) **Stay alert, watch what you are doing and use common sense when operating a power tool. Do not use a power tool while you are tired or under the influence of drugs, alcohol or medication.** A moment of inattention while operating power tools may result in serious personal injury.
- b) **Use personal protective equipment. Always wear eye protection.** Protective equipment such as dust mask, non-skid safety shoes, hard hat, or hearing protection used for appropriate conditions will reduce personal injuries.
- c) **Prevent unintentional starting. Ensure the switch is in the off position before connecting to power source and/or battery pack, picking up or carrying the tool.** Carrying power tools

with your finger on the switch or energising power tools that have the switch on invites accidents.

- d) **Remove any adjusting key or wrench before turning the power tool on.** A wrench or a key left attached to a rotating part of the power tool may result in personal injury.
 - e) **Do not overreach. Keep proper footing and balance at all times.** This enables better control of the power tool in unexpected situations.
 - f) **Dress properly. Do not wear loose clothing or jewellery. Keep your hair, clothing and gloves away from moving parts.** Loose clothes, jewellery or long hair can be caught in moving parts.
 - g) **If devices are provided for the connection of dust extraction and collection facilities, ensure these are connected and properly used.** Use of these devices can reduce dust-related hazards.
- ### 4) Power tool use and care
- a) **Do not force the power tool. Use the correct power tool for your application.** The correct power tool will do the job better and safer at the rate for which it was designed.
 - b) **Do not use the power tool if the switch does not turn it on and off.** Any power tool that cannot be controlled with the switch is dangerous and must be repaired.
 - c) **Disconnect the plug from the power source and/or battery pack from the power tool before making any adjustments, changing accessories, or storing power tools.** Such preventive safety measures reduce the risk of starting the power tool accidentally.
 - d) **Store idle power tools out of the reach of children and do not allow persons unfamiliar with the power tool or these instructions to operate the power tool.** Power tools are dangerous in the hands of untrained users.
 - e) **Maintain power tools. Check for misalignment or binding of moving parts, breakage of parts and any other condition that may affect the power tool's operation. If damaged, have the power tool repaired before use.** Many accidents are caused by poorly maintained power tools.
 - f) **Keep cutting tools sharp and clean.** Properly maintained cutting tools with sharp cutting edges are less likely to bind and are easier to control.
 - g) **Use the power tool, accessories and tool bits etc. in accordance with these instructions, taking into account the working conditions and the work to be performed.** Use of the power tool for operations different from those intended could result in a hazardous situation.
- ### 5) Service
- a) **Have your power tool serviced by a qualified repair person using only identical replacement parts.** This will ensure that the safety of the power tool is maintained.



Model 08174 shown.

- | | |
|---|---|
| ① Socket for tools up to 1000W max.
(up to 2200W on 48499-230V model.) | ⑧ Crevice attachment. |
| ② Motor/pump housing. | ⑨ Double function brush (floors/liquids accessory). |
| ③ Stainless steel tank. | ⑩ Accessory holder/carpet accessory. |
| ④ Extension tubes x2. | ⑪ Hand grip with air control. |
| ⑤ Flexible hose. | ⑫ Antifoam filter. |
| ⑥ Adaptor for power tool dust extraction system. | ⑬ Paper dust bag. |
| ⑦ Upholstery attachment. | ⑭ Cartridge filter. |

- **UNPACKING:** After removing the packing material, make sure the product is in perfect condition and that there are no visible damaged parts. If in doubt, do not use the product and contact the dealer from whom it was purchased.

The packaging materials (plastic bags, polystyrene, etc.), must be disposed of in an appropriate refuse collection container. These materials must not be left within the reach of children as they are potential sources of danger.

ASSEMBLY

- **CONNECTING THE CASTORS (Fig.1.):**
Firmly press the castors into the base of the tank.

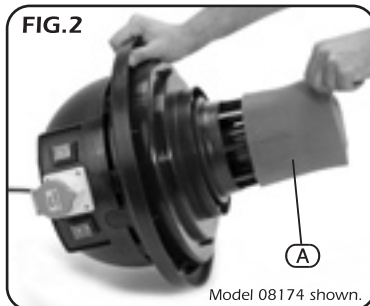
FIG.1



OPERATION AND USE

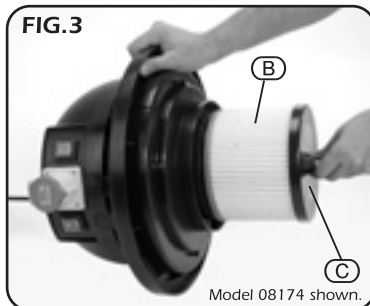
- **CHANGING SETUP FROM WET TO DRY VACUUMING (Fig.2.):**
Empty the tank and dispose of any liquid which may have been picked up previously.
Remove the antifoam filter (A) (if fitted).

FIG.2



- **ATTACHING THE CARTRIDGE FILTER (Fig.3.):**
Placing it beneath the motor, the cartridge filter (B) must now be fitted by pushing it in and then securing it in place by turning the fixing knob (C) clockwise.

FIG.3



- **ATTACHING THE PAPER DUSTBAG (Fig.4&5.):**

Fix the paper dustbag (D) to the inner side of the hose connector in the tank as shown. When using the paper dust bag, dirt can be removed more hygienically and the life of the cartridge filter will be prolonged. The paper dustbag NEVER replaces the cartridge filter but, the filter cartridge can be used without the paper dustbag.

NOTE: As suction power decreases, replace the paper dustbag with a new one.

FIG.4

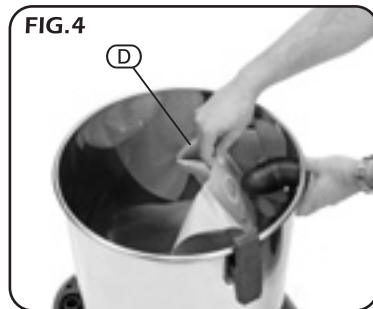


FIG.5

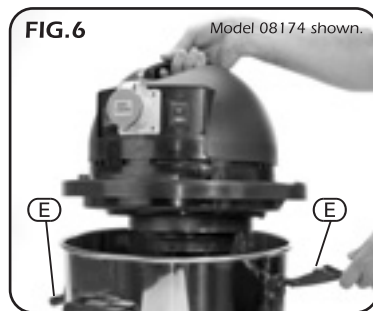


- **REFIT OF MOTOR HOUSING (Fig.6.):**

The motor housing is secured using the two retaining clips (E).

FIG.6

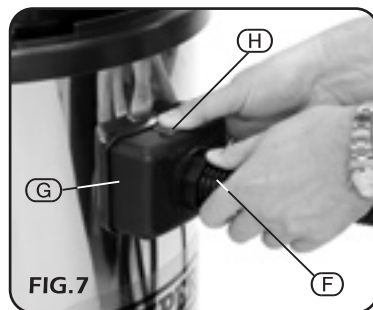
Model 08174 shown.



- **CONNECT THE FLEXIBLE HOSE (Fig.7.):**

Push the flexible hose (F) into the connector (G). To remove the flexible hose press button (H) and withdraw the hose simultaneously.

FIG.7



- CONNECTING HAND GRIP AND EXTENSIONS (Fig.8&9.):

Connect the hand grip (I) to the flexible hose, and the extension tube by applying pressure. The grip provides a suction power regulating device (J). This regulator rotates. To obtain full suction power the regulator should be closed. Now fit the remaining extension tubes, again by applying pressure.

For disassembling, slightly turn both parts and draw apart.

FIG.8

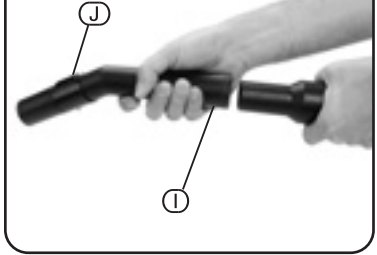
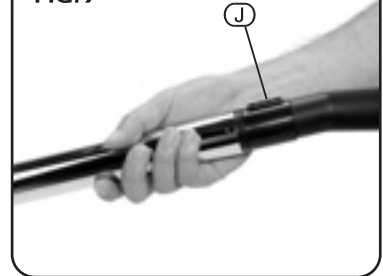


FIG.9



- USE OF ATTACHMENTS (Fig.10&11.):

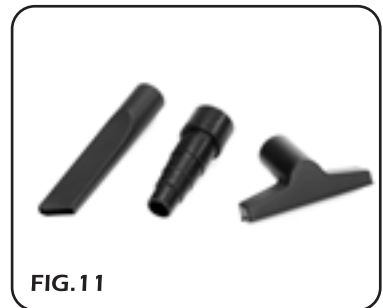
The combination attachment (K) to be used on hard floors, parquet, cork, vinyl, ceramic, etc.

Any of the other attachments shown may be used depending upon the specific application. They are attached in the same way as explained previously.

FIG.10



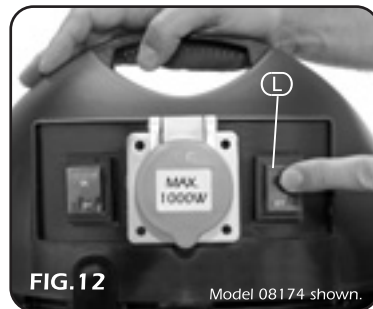
FIG.11



- **SWITCHING ON (Fig.12.):**

Now connect the vacuum cleaner to the power supply and switch the vacuum cleaner 'ON' by pushing the switch (L).

Now use the vacuum cleaner as normal.



- **ATTENTION: EXPLOSION AND FIRE HAZARD.**

Never vacuum asbestos, inflammable fluids, such as petrol, oil, solvents, etc. Do not operate near inflammable fluids or gas. Never vacuum fluids or material hotter than 60C, such as burning cigarettes, ashes, glowing coals, etc.

If cable becomes damaged, replace immediately.

Always keep the filter cartridge clean for maximum performance.

- **VACUUMING FLUIDS**

- **CHANGING SETUP FROM DRY TO WET VACUUMING (Fig.13-15.):**

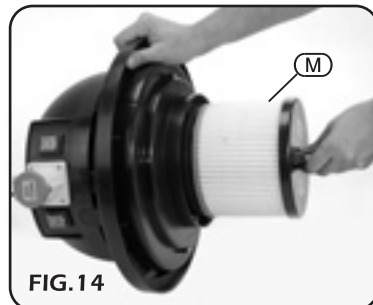
Empty the tank and dispose of any dirt/dust which may have been picked up previously.

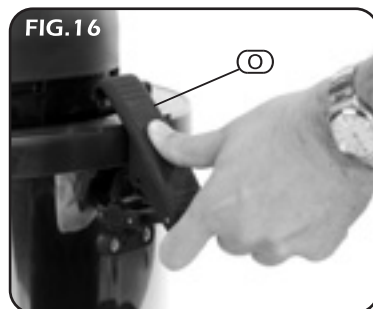
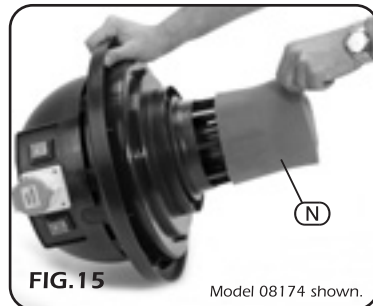
Remove the cartridge filter (M) if fitted.

Now fit the anti foam filter (N). This slides over the float cage as shown.

NEVER VACUUM DRY DUST AND DIRT WITH THIS FILTER FITTED AS IT WILL PROVIDE LITTLE OR NO PROTECTION RESULTING IN MOTOR DAMAGE.

Refit the motor housing by securing with the two retaining clips (O).





- NOTE:

The crevice nozzle should be used when the water level is too high to use attachment as shown on page 8.

To ensure the air flow is adequate, we recommend that the end of the nozzle is not totally immersed.

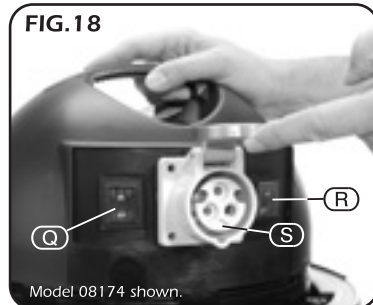
- WATER LEVEL (Fig. 17.):

When the fluids have reached the highest permissible level in the tank, the float regulator (P) will cover the motor filter causing the motor to work harder, it will become noisier, at this point turn off and empty the tank.



- USING THE VACUUM CLEANER IN CONJUNCTION WITH POWER TOOL DUST EXTRACTION (Fig. 18.):

Plug the power lead from the power tool into socket (S). Push in switch (Q) to the 'ON' position and then switch (R) to the 'ON' position.



OPERATION AND USE

- POWER TOOLS AND VACUUM (Fig.19.):

When the tool is now operated the vacuum will begin to run and when the tool is switched off the vacuum will stop. Use the adaptor supplied to attach the vacuum tube to the tools dust extraction port.

FIG.19



MAINTENANCE & PARTS REPLACEMENT

Regular inspection and cleaning reduces the necessity for maintenance operations and will keep your tools in good working condition.

The motor must be correctly ventilated during the tools operation. For this reason avoid blocking the air inlets.

If the replacement of the supply cord is necessary, this has to be done by the manufacturer or his agent in order to avoid a safety hazard.

Remove the plug from the socket before carrying out adjustment, servicing or maintenance.

DISPOSAL

- At the end of the machine's working life, or when it can no longer be repaired, ensure that it is disposed of according to national regulations.
- Contact your local authority for details of collection schemes in your area.

In all circumstances:

- Do not dispose of power tools with domestic waste.
- Do not incinerate.
- Do not abandon in the environment.
- Do not dispose of WEEE* as unsorted municipal waste.



* Waste Electrical & Electronic Equipment.



Do not dispose of WEEE*
as unsorted municipal waste.



For indoor use.
Do not expose to rain.

* Waste Electrical & Electronic Equipment.

- **DRAPER TOOLS LIMITED,**
Hursley Road, Chandler's Ford,
Eastleigh, Hampshire. SO53 1YF. U.K.
- **Helpline:** (023) 8049 4344
- **Sales Desk:** (023) 8049 4333
- **Internet:** www.draper.co.uk
- **E-mail:** sales@drapertools.com
- **Sales Fax:** (023) 8049 4209
- **General Enquiries:** (023) 8026 6355
- **Service/Warranty Repair Agent**
For aftersales servicing or warranty repairs, please
contact the Draper Tools Helpline for details of an
agent in your local area.

YOUR DRAPER STOCKIST

DKKC160512