



COMBINED
**ROLLER CABINET
& CHEST**

51177

IMPORTANT: PLEASE READ THESE INSTRUCTIONS CAREFULLY TO ENSURE THE SAFE AND EFFECTIVE USE OF THIS PRODUCT.



INSTRUCTIONS

These instructions accompanying the product are the original instructions. This document is part of the product, keep it for the life of the product passing it on to any subsequent holder of the product. Read all these instructions before assembling, operating or maintaining this product.

This manual has been compiled by Draper Tools describing the purpose for which the product has been designed, and contains all the necessary information to ensure its correct and safe use. By following all the general safety instructions contained in this manual, it will ensure both product and operator safety, together with longer life of the product itself.

All photographs and drawings in this manual are supplied by Draper Tools to help illustrate the operation of the product.

Whilst every effort has been made to ensure the accuracy of information contained in this manual, the Draper Tools policy of continuous improvement determines the right to make modifications without prior warning.

1. SPECIFICATION

1.1 SCOPE

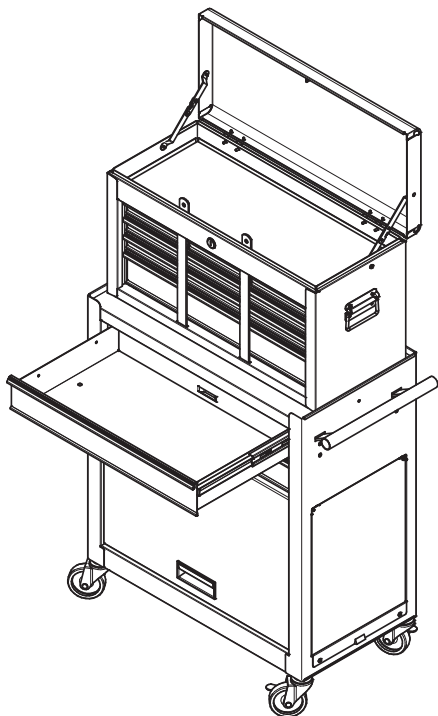
Manufactured from sheet steel with powder coated finish. Drawers are fitted with ball bearing runners for smoother operation and longer life. Each chest is fitted with a secure locking system and supplied with two keys.

2. HEALTH AND SAFETY INFORMATION

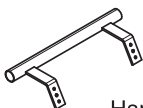
2.1 GENERAL SAFETY INFORMATION

- WEAR SAFETY GLASSES AND GLOVES when removing strapping and packaging materials. Straps can snap when removed causing personal injury.
- WEAR SAFETY GLASSES when replacing or repositioning ball bearing drawer slides.
- DO NOT pull this product – push the product to prevent personal injury.
- Swivel castor and push bar must be placed on same side of the product.
- USE THE BRAKE when this product is not being moved. The brake will prevent accidental rolling which may product damage or personal injury.
- DO NOT open more than one drawer at a time as this may cause the product to tip causing personal injury or product damage.
- DO NOT alter this product by welding attachment or adding electrical equipment. Do not mount this product on a moving object or vehicle as this may cause personal injury or product damage.
- DO NOT tow this product with moving equipment or vehicles as this may cause product to tip, causing personal injury or product damage.
- DO NOT step in drawers or on top of unit as this may cause the product to tip. This may cause personal injury or product damage.
- Take caution when closing the cover and remove hands before cover is closed completely.
- To lock a chest, close drawers before closing lid, making sure all drawers are firmly closed to ensure proper function of locking bars.
- Always use the proper sized cabinet and chest combination. Improper matching of cabinet and chest components can cause the product to tip which may result in personal injury or product damage.
- DO NOT use the product on uneven surfaces or inclines as this may cause the product to tip or become unstable resulting in possible personal injury or product damage.
- Remove work surface (if provided) before mounting top chest. If work surface is not removed, the top chest may slide off cabinet causing personal injury or product damage.

3. TECHNICAL DESCRIPTION



Caster--2



Handle--1



Screw ST4X8--8



Screw M6X12--4



Caster--2



Handle--2



Hook--5

WARNING:

- A) Lubricate the top and the bottom channels of the drawer slides at least twice a year.
- B) Do not open more than one loaded drawer at a time.
- C) The maximum loading capacity is 70kgs (154 lbs)

4. PREPARING THE TOOL CHEST

4.1 REMOVE SIDE PANEL

Remove screws with a suitable screwdriver.

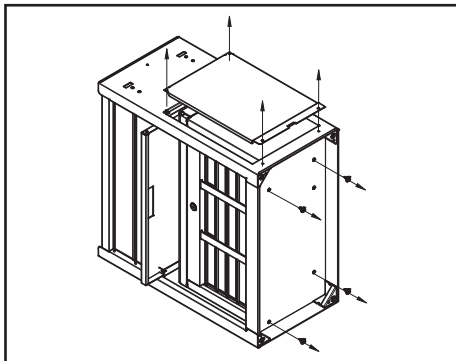


FIG.1

4.2 REMOVE CHEST

Place cabinet on level surface.

Slowly remove chest from the cabinet.

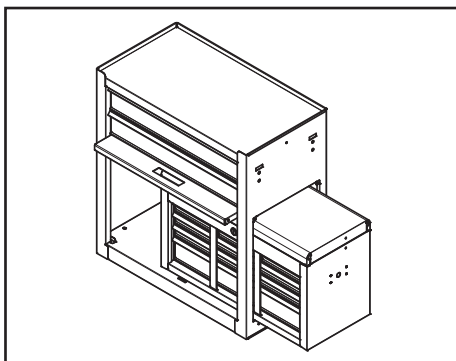


FIG.2

4.3 HANDLE ASSEMBLY

Attach handles using 4 x screws provided as shown in Fig.3.

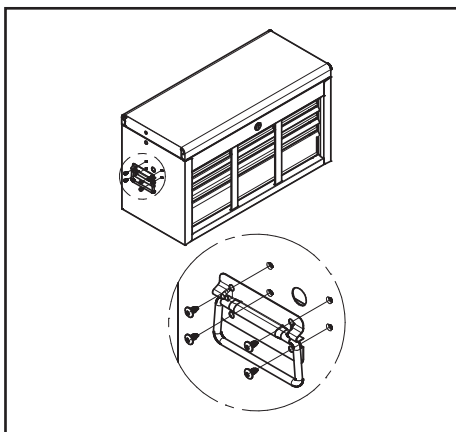


FIG.3

4.4 CASTOR ASSEMBLY

If castor assembly fits loosely, using a screwdriver, slightly spread apart split on shaft.

If the castor is a tight fit, crimp the split slightly.

Make only slight adjustments, until castor fits securely.

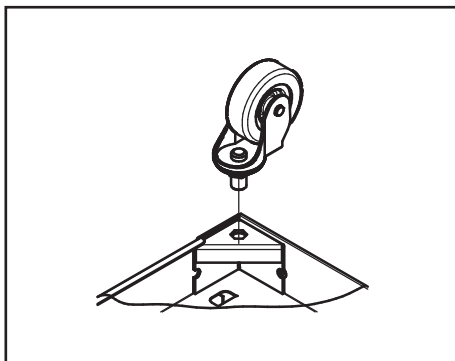


FIG.4

4.5 HANDLE ASSEMBLY

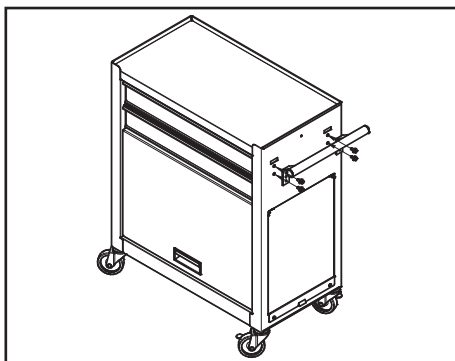


FIG.5

4. PREPARING THE TOOL CHEST

4.6 DRAWER SLIDES

If it becomes necessary to remove drawers, follow these drawer removal instructions:

- A) Pull drawer all the way out, then push back slightly.
- B) Insert screwdriver into slot in the slide and push in on the stop until it clears the lance. Repeat the procedure on the other slide and remove drawer.
- C) To re-install drawer, pry stop far enough out to engage lances (4.75mm to 6.35mm) and push drawer onto slide until stops engage lances.

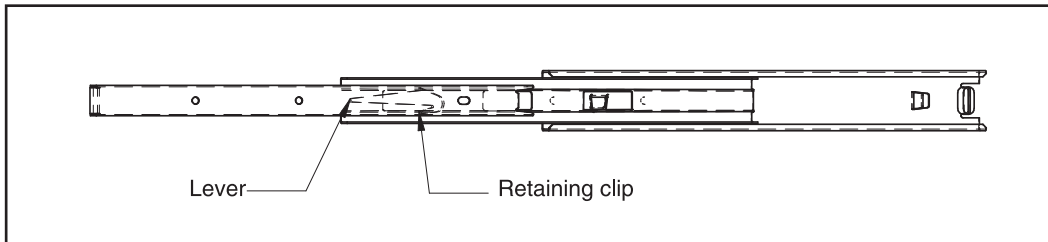


FIG.6

NOTES

CONTACTS

Draper Tools Limited, Hursley Road,
Chandler's Ford, Eastleigh, Hampshire. SO53 1YF. U.K.

Help line: (023) 8049 4344

Sales desk: (023) 8049 4333

Internet: drapertools.com

E-mail: sales@drapertools.com

General enquiries: (023) 8026 6355

Service/Warranty Repair Agent:

For aftersales servicing or warranty repairs, please contact the Draper Tools help line for details of an agent in your local area.

YOUR DRAPER STOCKIST

RWTL1019

©Published by Draper Tools Limited.

No part of this publication may be reproduced, stored in a retrieval system or transmitted in any form or by any means, electronic, mechanical photocopying, recording or otherwise without prior permission in writing from Draper Tools Ltd.