

# FLOOR TRANSMISSION JACK

■ STOCK No.53095.

■ PART No.TJ200T.

09/2003



## SPECIFICATION

Capacity ..... 200kg  
 Minimum height ..... 170mm  
 Maximum height ..... 570mm

Base width ..... 420mm  
 Base length ..... 410mm



## INSTRUCTIONS FOR USE

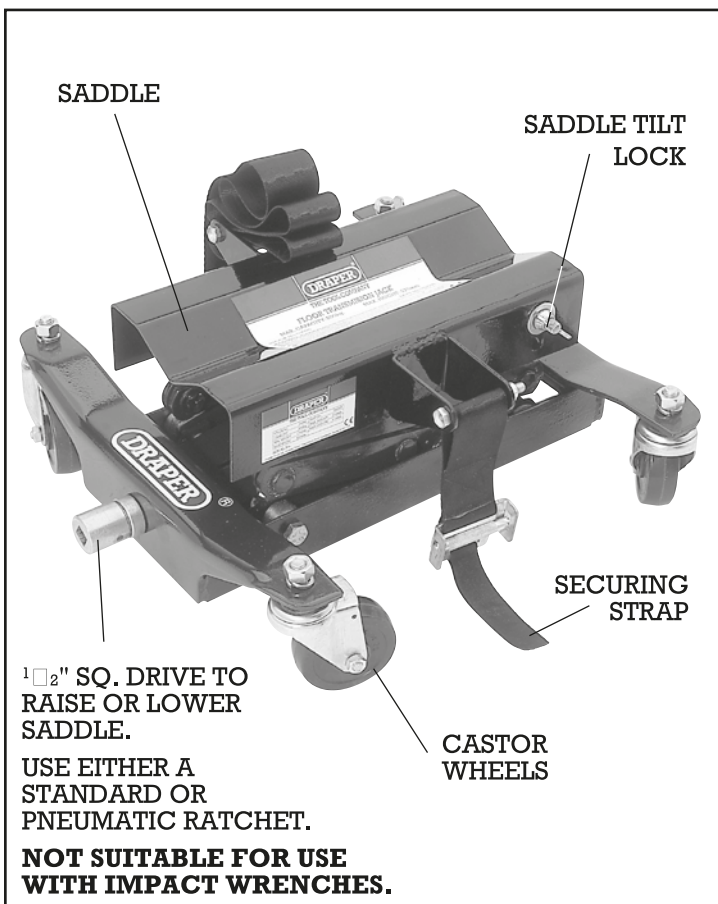
### WARNING:

**PLEASE READ AND UNDERSTAND THESE INSTRUCTIONS BEFORE USING YOUR TRANSMISSION JACK.**

- This jack is designed for lifting/lowering vehicle transmissions only.
- Never use this jack to lift a vehicle.
- Always use axle stands and wheel chocks in conjunction with a trolley jack. Never get under a vehicle only supported by a jack.
- Ensure the vehicle transmission jack is securely fastened to the saddle of the transmission jack before lifting or lowering it.
- The jack should only be used on a firm, level surface.
- Inspect and lubricate the jack on a regular basis.



## KNOW YOUR FLOOR TRANSMISSION JACK



## DECLARATION OF CONFORMITY

We,  
Draper Tools Ltd. Hursley Road, Chandler's Ford,  
Eastleigh, Hampshire. SO53 1YF. England.

Declare under our sole responsibility that the product:

**Stock No. :- 53095      Part No. :- TJ200T**

**Description:- Floor Transmission Jack**

**Serial No. :-**

To which this declaration relates is in conformity with the following directive(s) 89/392/EEC.

With reference to:  
prEN1494, EN292-1, EN292-2 incl amendment 1.

J.N. Draper  
Managing Director

01/04/1998