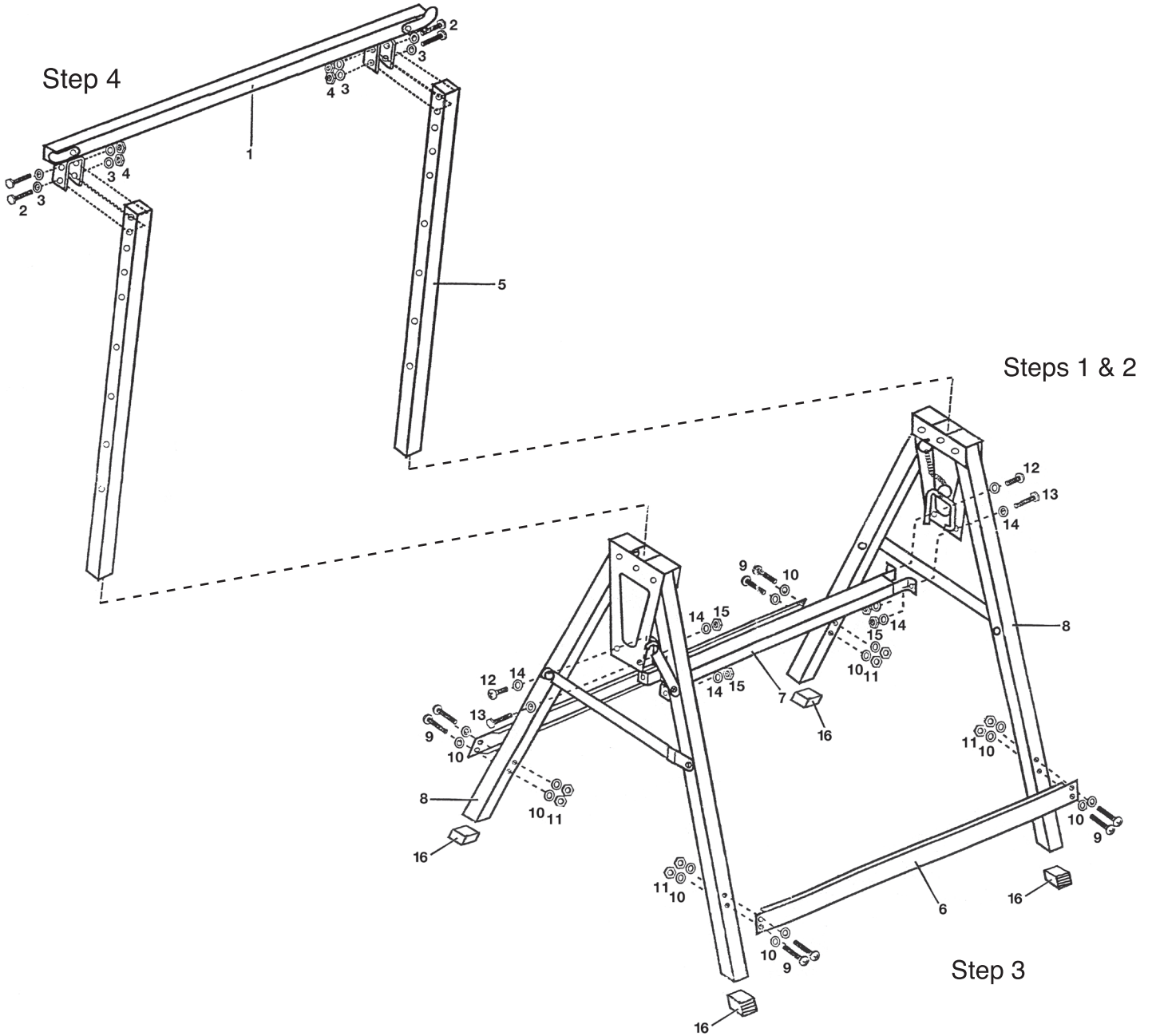


TELESCOPIC TRESTLE

54051 - BT/Y1 SPARE PARTS LISTING



KEY No.	PART No.	STOCK No.	DESCRIPTION
1	YBT/01	68897	Cross bar (680mm)
2	YBT/02	68898	M8 x 45 hex. bolt (4)
3	YBT/03	68899	M8 washer (8)
4	YBT/04	68900	M8 hex. nut (4)
5	YBT/05	68901	Upright 750mm (2)
6	YBT/06	68902	Lower cross member 575mm (2)
7	YBT/07	68903	Upper cross member 575mm
8	YBT/08	68905	'A' frame assembly (2)

KEY No.	PART No.	STOCK No.	DESCRIPTION
9	YBT/09	68906	M6 x 35 pan head bolt (8)
10	YBT/10	68907	M6 washer (16)
11	YBT/11	68908	M6 hex. nut (8)
12	YBT/12	68909	M5 x 15 pan head bolt (2)
13	YBT/13	68910	M5 x 15 bolt (2)
14	YBT/14	68911	M5 washer (8)
15	YBT/15	68912	M5 hex. nut (4)
16	YBT/16	16560	Rubber foot (4)



TELESCOPIC TRESTLE

54051 - BT/Y1 ASSEMBLY INSTRUCTIONS

In association to these instructions use the parts listing and and drawing for reference.

1. Locate both 'A' frames (8) and the upper cross member (7). Open out the legs on the 'A' frames and lock using the lower latch. Push in rubber feet (16) into each of the legs. Fix one end of the cross member to the 'A' frame using bolt (13), bolt (12) and the appropriate washers and nuts. Ensure that bolt (13) is used to fix the frame on the side nearest the latch, as this bolt has the shoulder to accept the locking latch. Tighten all the fixings only finger tight at this point. Fix the other end of the cross member to the other 'A' frame in the same manner again only finger tight.
2. Now secure the top of the 'A' frames using the short latches.
3. Locate both the lower cross members (6). Fix the lower cross member between the two 'A' frames to provide the lower rigidity. Screw in the eight bolts (9) with the appropriate washers and nuts finger tight.
4. Locate the two uprights (5) and cross bar (1). Assemble the cross bar and uprights using the four bolts (2) with the appropriate washers and nuts finger tight. Pass the assembly down through the top of the 'A' frame using the locating pins lock in the halfway position. The pin should be passed through from the inside and when all the way through, turn down so they lock around the frame. This avoids the pin falling or getting knocked out accidentally.
5. Stand the trestle on a flat and level surface and allow all parts to settle. Systematically tighten all the fixings ensuring they are fully tightened. This process should be carried out twice to ensure no fixings are left undone by mistake.