



MECHANICS CREEPER

81907 & 81908

SPECIFICATION

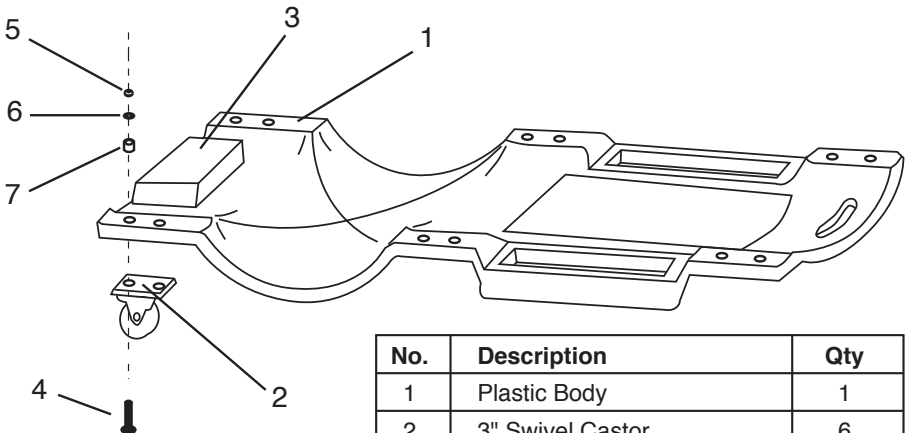
Stock no.	81907.....	81908
Part no.	CC4/G.....	CC4/O
Overall length	1010mm.....	1010mm
Overall width	475mm.....	475mm
Max. weight capacity.....	120kg.....	120kg

SAFETY INSTRUCTIONS

- Do not place under car tyres or use to move or reposition vehicle.
- Do not use as a toy or skateboard.
- Do not stand on car creeper or use as a stepping device.
- Do not use if any part of the car creeper is defective or damaged in any way.
- Always store in an upright position in a secure place.
- Keep out of the reach of children.

ASSEMBLY

- Put bolt (4) through hole of caster (2) and thread into underside of creeper body.
- Put sleeve (7) over bolt thread.
- Place flat washer (6) up to sleeve and screw nut (5) onto bolt until tight.
- Repeat for all 6 castors.



No.	Description	Qty
1	Plastic Body	1
2	3" Swivel Castor	6
3	Head Rest	1
4	Bolt	13
5	Nut M6	12
6	Flat Washer	13
7	Sleeve	12