



DRAPER[®]

STORMFORCE

230V

NAILER/STAPLER

83659



These instructions accompanying the product are the original instructions. This document is part of the product, keep it for the life of the product passing it on to any subsequent holder of the product. Read all these instructions before assembling, operating or maintaining this product.

This manual has been compiled by Draper Tools describing the purpose for which the product has been designed, and contains all the necessary information to ensure its correct and safe use. By following all the general safety instructions contained in this manual, it will ensure both product and operator safety, together with longer life of the product itself.

All photographs and drawings in this manual are supplied by Draper Tools to help illustrate the operation of the product.

Whilst every effort has been made to ensure the accuracy of information contained in this manual, the Draper Tools policy of continuous improvement determines the right to make modifications without prior warning.

1. TITLE PAGE

1.1 INTRODUCTION:

USER MANUAL FOR: 230V Nailer/Stapler

Stock No: 58330

Part No: STNEKHDSF

1.2 REVISIONS:

Date first published May 2019.

Date first revision December 2019.

As our user manuals are continually updated, users should make sure that they use the very latest version.

Downloads are available from: <http://drapertools.com/manuals>

Draper Tools Limited
Hursley Road
Chandler's Ford
Eastleigh
Hampshire
SO53 1YF
UK

Website: drapertools.com

Product help line: +44 (0) 23 8049 4344

General Fax: +44 (0) 23 8026 0784

1.3 UNDERSTANDING THIS MANUALS SAFETY CONTENT:

WARNING! – Information that draws attention to the risk of injury or death.

CAUTION! – Information that draws attention to the risk of damage to the product or surroundings.

1.4 COPYRIGHT © NOTICE:

Copyright © Draper Tools Limited.

Permission is granted to reproduce this publication for personal and educational use only. Commercial copying, redistribution, hiring or lending is prohibited.

No part of this publication may be stored in a retrieval system or transmitted in any other form or means without written permission from Draper Tools Limited.

In all cases this copyright notice must remain intact.

2. CONTENTS

1. TITLE PAGE	
1.1 INTRODUCTION	2
1.2 REVISION HISTORY	2
1.3 UNDERSTANDING THIS MANUAL	2
1.4 COPYRIGHT NOTICE	2
2. CONTENTS	
2.1 CONTENTS.....	3
3. WARRANTY	
3.1 WARRANTY.....	4
4. INTRODUCTION	
4.1 SCOPE.....	5
4.2 SPECIFICATION	5
4.3 HANDLING AND STORAGE.....	5
5. HEALTH AND SAFETY INFORMATION	
5.1 GENERAL POWER TOOL SAFETY WARNINGS.....	6-7
5.2 ADDITIONAL SAFETY INSTRUCTIONS FOR NAILER/STAPLERS	7
5.3 RESIDUAL RISK	7
5.4 CONNECTION TO THE POWER SUPPLY.....	8
6. TECHNICAL DESCRIPTION	
6.1 IDENTIFICATION.....	9
7. UNPACKING AND CHECKING	
7.1 PACKAGING	10
7.2 WHAT'S IN THE BOX.....	10
8. PREPARING THE NAILER/STAPLER	
8.1 LOADING STAPLES AND NAILS	11
9. BASIC NAILER/STAPLER OPERATIONS	
9.1 ON/OFF SWITCH	12
9.2 FIRING THE STAPLER/NAILER.....	12
9.3 CHANGING THE POWER LEVEL	12
10. MAINTENANCE	
10.1 MAINTENANCE	13
10.2 UNBLOCKING JAMMED FASTENERS	13
11. TROUBLESHOOTING	
11.1 TROUBLESHOOTING	14
12. OPTIONAL ACCESSORIES	
12.1 OPTIONAL ACCESSORIES.....	15
13. DISPOSAL	
13.1 DISPOSAL.....	16
14. EXPLANATION OF SYMBOLS	
14.1 EXPLANATION OF SYMBOLS	17
DECLARATION OF CONFORMITY	ENCLOSED

3. WARRANTY

3.1 WARRANTY

Draper tools have been carefully tested and inspected before shipment and are guaranteed to be free from defective materials and workmanship.

Should the tool develop a fault, please return the complete tool to your nearest distributor or contact

Draper Tools Limited, Chandler's Ford, Eastleigh, Hampshire, SO53 1YF. England.

Telephone Sales Desk: (023) 8049 4333 or Product Help Line (023) 8049 4344.

A proof of purchase **must** be provided with the tool.

If upon inspection it is found that the fault occurring is due to defective materials or workmanship, repairs will be carried out free of charge. This warranty period covering labour is 12 months from the date of purchase except where tools are hired out when the warranty period is 90 days from the date of purchase. The warranty is extended to 24 months for parts only. This warranty does not apply to any consumable parts, any type of battery or normal wear and tear, nor does it cover any damage caused by misuse, careless or unsafe handling, alterations, accidents, or repairs attempted or made by any personnel other than the authorised Draper warranty repair agent.

Note: If the tool is found not to be within the terms of warranty, repairs and carriage charges will be quoted and made accordingly.

This warranty applies in lieu of any other warranty expressed or implied and variations of its terms are not authorised.

Your Draper warranty is not effective unless you can produce upon request a dated receipt or invoice to verify your proof of purchase within the warranty period.

Please note that this warranty is an additional benefit and does not affect your statutory rights.

Draper Tools Limited.

4. INTRODUCTION

4.1 SCOPE

Ideal for upholstery and furnishing applications and also suitable for repairing fence panels or installing hardboard.

It is intended for domestic and infrequent light trade use only. Any other application is considered misuse.

4.2 SPECIFICATION

Stock No.	83659
Part No.	STNEKHDSF
Rated voltage	230V~50Hz
Maximum operations per minute	20
Fastener capacities:	
Staples (maximum No.100pcs)	15 – 25mm
Nails (maximum No.100pcs)	15 – 32mm (18 gauge)
Sound pressure level (LpA)*:	81.1dB(A)
Sound power level (LWA)**:	92.1dB(A)
Uncertainty (K):	3dB(A)
Vibration level	3.583 ± 1.5m/s ²
Weight (machine only)	1.76kg

* *Continuous A-Weighted Sound Pressure Level at the workstation in accordance to and declared according to EN60745.*

** *The typical A-weighted noise level determined according to EN60745.*

4.3 HANDLING AND STORAGE

- Care must be taken when handling this product.
 - Dropping this power tool could have an effect on its accuracy and could also result in personal injury. This product is not a toy and must be respected.
- Environmental conditions can have a detrimental effect on this product if neglected.
 - Exposure to damp air can gradually corrode components.
 - If the product is unprotected from dust and debris, components will become clogged.
 - If not cleaned and maintained correctly or regularly, the machine will not perform at its best.

Additional Nails and Staples are available from Draper Tools, contact them on 023 8049 4344 or at www.drapertools.com for further information.

5. HEALTH AND SAFETY INFORMATION

5.1 GENERAL POWER TOOL SAFETY WARNINGS

WARNING Read all safety warnings, instructions, illustrations and specifications provided with this power tool. *Failure to follow all instructions listed below may result in electric shock, fire and/or serious injury.*

Save all warnings and instructions for future reference.

The term "power tool" in the warnings refers to your mains-operated (corded) power tool or battery-operated (cordless) power tool.

Work area safety

Keep work area clean and well lit. *Cluttered or dark areas invite accidents.*

Do not operate power tools in explosive atmospheres, such as in the presence of flammable liquids, gases or dust. *Power tools create sparks which may ignite the dust or fumes.*
Keep children and bystanders away while operating a power tool. *Distractions can cause you to lose control.*

Electrical safety

Power tool plugs must match the outlet. Never modify the plug in any way. Do not use any adapter plugs with earthed (grounded) power tools. *Unmodified plugs and matching outlets will reduce risk of electric shock.*

Avoid body contact with earthed or grounded surfaces, such as pipes, radiators, ranges and refrigerators. *There is an increased risk of electric shock if your body is earthed or grounded.*

Do not expose power tools to rain or wet conditions. *Water entering a power tool will increase the risk of electric shock.*

Do not abuse the cord. Never use the cord for carrying, pulling or unplugging the power tool. Keep cord away from heat, oil, sharp edges or moving parts. *Damaged or entangled cords increase the risk of electric shock.*

When operating a power tool outdoors, use an extension cord suitable for outdoor use. *Use of a cord suitable for outdoor use reduces the risk of electric shock.*

If operating a power tool in a damp location is unavoidable, use a residual current device (RCD) protected supply. *Use of an RCD reduces the risk of electric shock.*

Personal safety

Stay alert, watch what you are doing and use common sense when operating a power tool. Do not use a power tool while you are tired or under the influence of drugs, alcohol or medication. *A moment of inattention while operating power tools may result in serious personal injury.*

Use personal protective equipment. Always wear eye protection. *Protective equipment such as a dust mask, non-skid safety shoes, hard hat or hearing protection used for appropriate conditions will reduce personal injuries.*

Prevent unintentional starting. Ensure the switch is in the off-position before connecting to power source and/or battery pack, picking up or carrying the tool. *Carrying power tools with your finger on the switch or energising power tools that have the switch on invites accidents.*

Remove any adjusting key or wrench before turning the power tool on. *A wrench or a key left attached to a rotating part of the power tool may result in personal injury.*

Do not overreach. Keep proper footing and balance at all times. *This enables better control of the power tool in unexpected situations.*

Dress properly. Do not wear loose clothing or jewellery. Keep your hair and clothing away from moving parts. *Loose clothes, jewellery or long hair can be caught in moving parts.*

If devices are provided for the connection of dust extraction and collection facilities, ensure these are connected and properly used. *Use of dust collection can reduce dust-related hazards.*

Do not let familiarity gained from frequent use of tools allow you to become complacent and ignore tool safety principles. *A careless action can cause severe injury within a fraction of a second.*

5. HEALTH AND SAFETY INFORMATION

Power tool use and care

Do not force the power tool. Use the correct power tool for your application. *The correct power tool will do the job better and safer at the rate for which it was designed.*

Do not use the power tool if the switch does not turn it on and off. *Any power tool that cannot be controlled with the switch is dangerous and must be repaired.*

Disconnect the plug from the power source and/or remove the battery pack, if detachable, from the power tool before making any adjustments, changing accessories, or storing power tools. *Such preventive safety measures reduce the risk of starting the power tool accidentally.*

Store idle power tools out of the reach of children and do not allow persons unfamiliar with the power tool or these instructions to operate the power tool. *Power tools are dangerous in the hands of untrained users.*

Maintain power tools and accessories. Check for misalignment or binding of moving parts, breakage of parts and any other condition that may affect the power tool's operation. If damaged, have the power tool repaired before use. *Many accidents are caused by poorly maintained power tools.*

Keep cutting tools sharp and clean. *Properly maintained cutting tools with sharp cutting edges are less likely to bind and are easier to control.*

Use the power tool, accessories and tool bits etc. in accordance with these instructions, taking into account the working conditions and the work to be performed. *Use of the power tool for operations different from those intended could result in a hazardous situation.*

Keep handles and grasping surfaces dry, clean and free from oil and grease. *Slippery handles and grasping surfaces do not allow for safe handling and control of the tool in unexpected situations.*

Service

Have your power tool serviced by a qualified repair person using only identical replacement parts. *This will ensure that the safety of the power tool is maintained.*

5.2 ADDITIONAL SAFETY INSTRUCTIONS FOR NAILER/STAPLERS

Tacker safety warnings

– **Always assume that the tool contains fasteners.** *Careless handling of the tool can result in unexpected firing of fasteners and personal injury.*

– **Do not point the tool towards yourself or anyone nearby.** *Unexpected triggering will discharge the fastener causing an injury.*

– **Do not actuate the tool unless the tool is placed firmly against the workpiece.** *If the tool is not in contact with the workpiece, the fastener may be deflected away from your target.*

– **Disconnect the tool from the power source when the fastener jams in the tool.** *While removing a jammed fastener, the tacker may be accidentally activated if it is plugged in.*

– **Do not use this tacker for fastening electrical cables.** *It is not designed for electric cable installation and may damage the insulation of electric cables thereby causing electric shock or fire hazards.*

5.3 RESIDUAL RISK


Important note: Although the safety instructions and operating manuals for our tools contain extensive instructions of safe working with power tools, every power tool involves a certain residual risk which can not be completely excluded by safety mechanisms. Power tools must therefore always be operated with caution!

5. HEALTH AND SAFETY INFORMATION

5.4 CONNECTION TO THE POWER SUPPLY

Caution: Risk of electric shock. Do not open.

This appliance is supplied with a moulded 3 pin mains plug for your safety. The value of the fuse fitted is marked on the pin face of the plug. Should the fuse need replacing, ensure the substitute is of the correct rating, approved to BS1362 and ASTA or BSI Kite marked.

ASTA 

BSI 


The fuse cover is removable with a small plain slot screwdriver. Ensure the fuse cover is replaced before attempting to connect the plug to an electrical outlet. If the cover is missing, a replacement must be obtained or the plug replaced with a suitable type.

If a replacement plug is to be fitted this must be carried out by a qualified electrician.

The damaged or incomplete plug, when cut from the cable should be disabled to prevent connection to a live electrical outlet.

This appliance is Class II[†] and is designed for connection to a power supply matching that detailed on the rating label and compatible with the plug fitted.

If an extension lead is required, use an approved and compatible lead rated for this appliance. Follow all the instructions supplied with the extension lead.

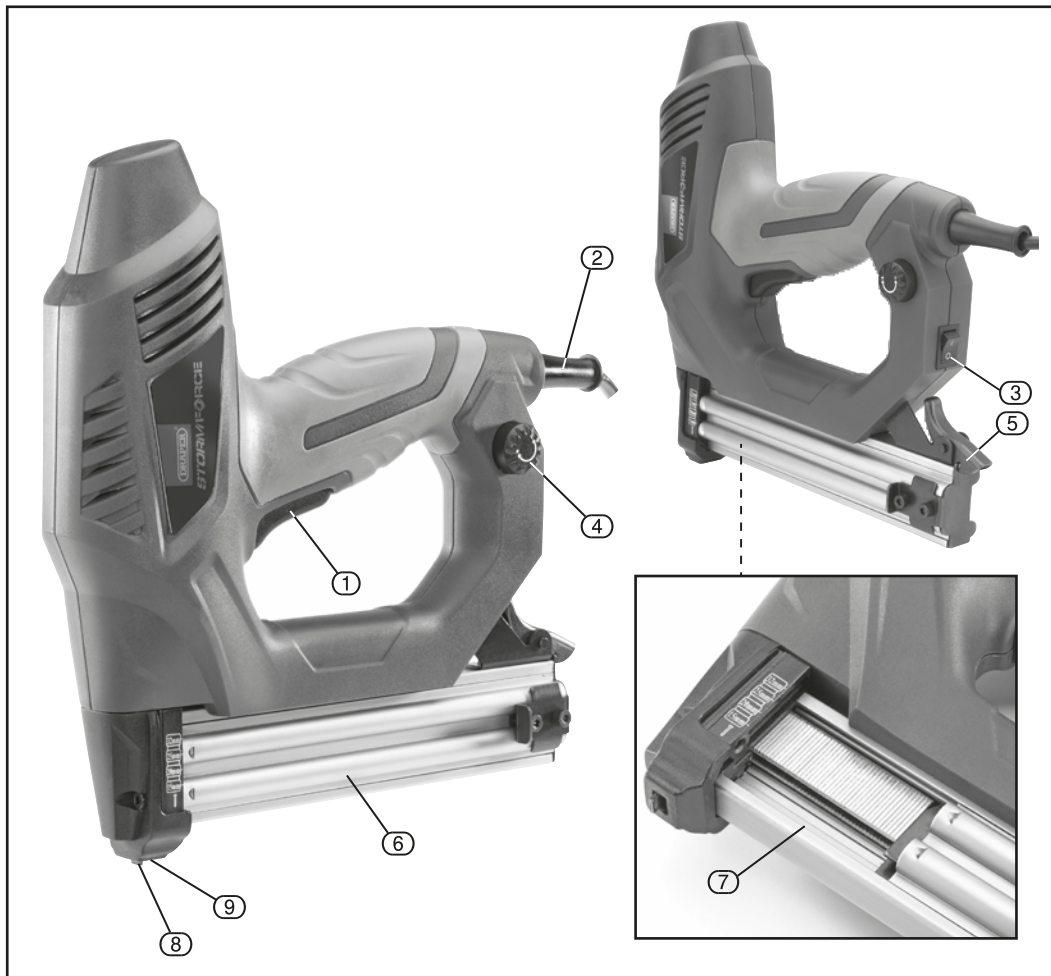
[†]Double insulated : This product requires no earth connection as supplementary insulation is applied to the basic insulation to protect against electric shock in the event of failure of the basic insulation.

IMPORTANT

If using an extension lead, follow the instructions that came with your lead regarding maximum load while cable is wound. If in doubt, ensure that the entire cable is unwound. Using a coiled extension lead will generate heat which could melt the lead and cause a fire.

6. TECHNICAL DESCRIPTION

6.1 IDENTIFICATION



- ① Trigger.
- ② Plug & cable.
- ③ On/off rocker switch.
- ④ Power dial.
- ⑤ Magazine lock.
- ⑥ Magazine.
- ⑦ Chamber (pictured with staples loaded).
- ⑧ Safety mechanism.
- ⑨ Firing head.

7. UNPACKING AND CHECKING

7.1 PACKAGING

Carefully remove the product from the packaging and examine it for any sign of damage that may have happened during shipping. Lay the contents out and check them against the parts shown below. If any part is damaged or missing, please contact the Draper Help Line (the telephone number appears on the Title page) and do not attempt to use the product.

The packaging material should be retained at least during the warranty period: in case the machine needs to be returned for repair.

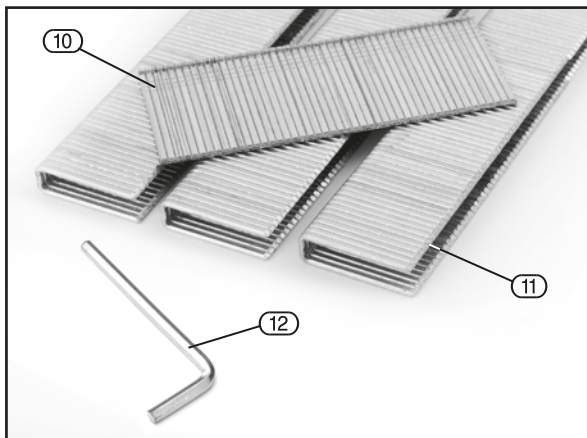
Warning!

- Some of the packaging materials used may be harmful to children. Do not leave any of these materials in the reach of children.
- If any of the packaging is to be thrown away, make sure they are disposed of correctly, according to local regulations.

7.2 WHAT'S IN THE BOX

As well as the main product, there are also several other parts not fitted or attached to it:

- ⑩ 25mm (Type 'F') brad nails × 100.
- ⑪ 5.7mm crown 22mm staples × 300.
- ⑫ Hex key.



8. PREPARING THE NAILER/STAPLER

Note: Remove the plug from the socket before carrying out adjustment, servicing or maintenance.

8.1 LOADING STAPLES AND NAILS – FIGS. 1 – 4

At the rear of the magazine is the magazine locking lever (5).

- To release it, press the locking lever forward and the sprung loaded magazine will slide open.
- To close the magazine, press down on the locking lever whilst sliding the magazine to the closed position then release the lever to lock in place.

The magazine has capacity for 18 gauge staples at 15 – 25mm sizes. A maximum of 100 staples can be loaded into the magazine at one time.

- Load the line of staples into the chamber (7), placing them against the top edge of the chamber and sliding left so that the leading edge of the line of staples fit around the guide shoe.
- Push the magazine back and lock in place.

The magazine will accept 'T' nails (Type 'F') at 15 - 32mm sizes. A maximum of 100 nails can be loaded into the magazine at one time.

- Load the line of nails into the bottom edge of the chamber and sliding left.
- Do not load on both sides as this will cause the product to malfunction.
- Push the magazine back and lock in place.



FIG.1

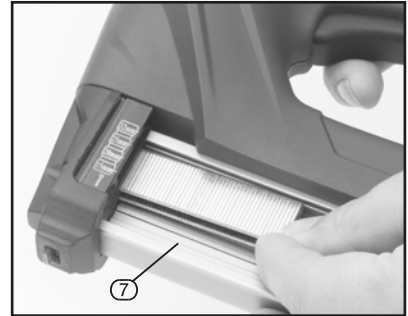


FIG.2

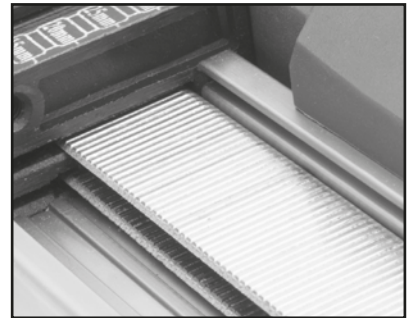


FIG.3



FIG.4

9. BASIC NAILER/STAPLER OPERATIONS

9.1 ON/OFF SWITCH – FIG. 5

To help prevent accidental firing the appliance features an on/off rocker switch (3).

Position the rocker switch to off when not in use.

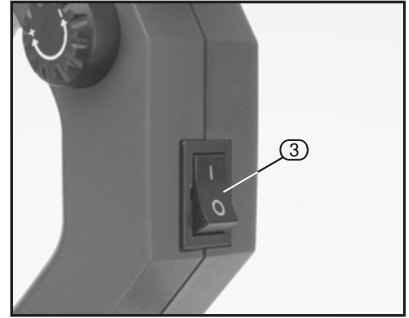


FIG.5

9.2 FIRING THE STAPLER/NAILER – FIG. 6

Warning: Always wear safety goggles.

- Push the appliance firmly down on to the surface to activate the safety mechanism (8).
- Pull trigger (1) to deploy a fastening.

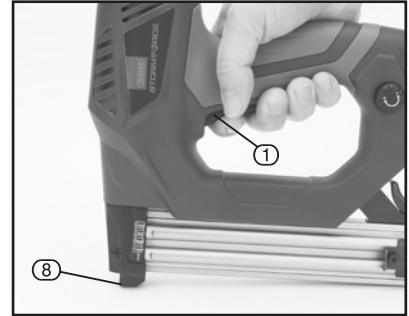


FIG.6

9.3 CHANGING THE POWER LEVEL – FIG. 7

The power level (4) will need to change depending on the material and the size of staples being used.

Note: Try a staple/nail on a piece of spare material to adjust the power level before using on final material.

Example: Stapling thin fabric onto soft wood with small staples:

- Turn power down to stop the staples being pushed completely through the fabric deep into the wood.



FIG.7

10. MAINTENANCE

10.1 MAINTENANCE

Regular inspection and cleaning reduces the necessity for maintenance operations and will keep your tools in good working condition.

If the replacement of the supply cord is necessary, this has to be done by the manufacturer or his agent in order to avoid a safety hazard.

10.2 UNBLOCKING JAMMED FASTENERS – FIGS. 8 – 11

Although this stapler/nailer is fitted with an anti-jam mechanism, should a fastening jam occur, follow the instructions given below.

Warning: Remove the plug from the socket before carrying out adjustment, servicing or maintenance.

- Slide the magazine out, opening the chamber to gain access to the blockage.
- A small pair of nose pliers may be required to free the blockage from either the loading mechanism inside the magazine or through the aperture of the firing head.
- Reload the magazine and retry.

Should the jam prove too difficult to remove with pliers alone, the plastic housing of the firing head can also be removed to gain access to the jammed mechanism.

- Remove the 2 hex bolts (12.1) from the front of the housing (9.1) using the hex key supplied (12).
- Remove the blockage using appropriate nose pliers and re-assemble the front housing (opposite procedure to above).
- Test that mechanism is free from any obstruction by testing the nailer on a piece of scrap wood, before re-inserting the nails or staples.
- Repeat the test with nails/staples loaded.

Warning: Never look into the mechanism whilst the unit is plugged in. Good practise would be to isolate the stapler/nailer whenever loading/changing the staples/nails.



FIG.8



FIG.9

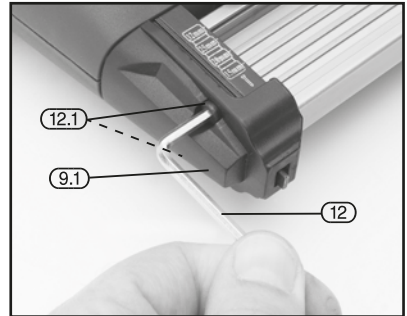


FIG.10

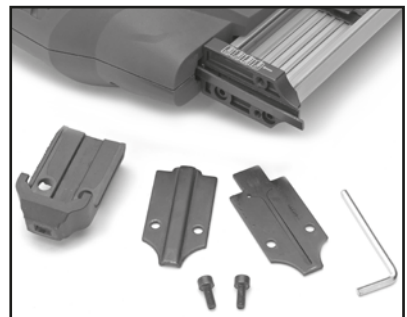


FIG.11

11. TROUBLESHOOTING

11.1 TROUBLESHOOTING

Problem	Possible Cause	Remedy
Tool does not operate.	1. No fasteners.	1. Load staples/nails.
	2. Switched off.	2. Switch on.
	3. Fuse blown.	3. Replace with new appropriate fuse.
	4. Unsure.	3. Return to an authorised service agent for diagnosis.

12. OPTIONAL ACCESSORIES

12.1 OPTIONAL ACCESSORIES

A full range of accessories are available from Draper Tools.

Please visit our website for details: www.drapertools.com

13. DISPOSAL

13.1 DISPOSAL

- At the end of the machine's working life, or when it can no longer be repaired, ensure that it is disposed of according to national regulations.
- Contact your local authority for details of collection schemes in your area.

In all circumstances:

- Do not dispose of power tools with domestic waste.
- Do not incinerate.
- Do not dispose of WEEE* as unsorted municipal waste.



* *Waste Electrical & Electronic Equipment.*

14. EXPLANATION OF SYMBOLS

14.1 EXPLANATION OF SYMBOLS



Read the instruction manual.



Wear ear defenders and safety glasses.



Wear protective gloves.



Do not abandon into the environment.



Keep out of the reach of children.



Do not use when working off ladders or scaffolding.



Warning!



Single value noise marking.
(Maximum declared A-Weighted sound power level in decibels).



Class II construction
(Double insulated).



WEEE –
Waste Electrical &
Electronic Equipment.
Do not dispose of Waste Electrical & Electronic Equipment in with domestic rubbish.



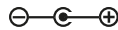
For indoor use only.
Do not expose to rain.



Short-circuit-proof safety isolating transformer.



Fuse.



Polarity indication.



Rated voltage.

NOTES

CONTACTS

Draper Tools Limited, Hursley Road,
Chandler's Ford, Eastleigh, Hampshire. SO53 1YF. U.K.

Help line: (023) 8049 4344

Sales Desk: (023) 8049 4333

Internet: drapertools.com

E-mail: sales@drapertools.com

General Enquiries: (023) 8026 6355

Service/Warranty Repair Agent:

For aftersales servicing or warranty repairs, please contact the
Draper Tools Help line for details of an agent in your local area.

YOUR DRAPER STOCKIST

TAKC1219

©Published by Draper Tools Limited.

No part of this publication may be reproduced, stored in a retrieval system or transmitted in any form or by any means, electronic, mechanical photocopying, recording or otherwise without prior permission in writing from Draper Tools Ltd.