



**DRAPER**<sup>®</sup>

680KG SUPPORT

# STAND

85629



These instructions accompanying the product are the original instructions. This document is part of the product, keep it for the life of the product passing it on to any subsequent holder of the product. Read all these instructions before assembling, operating or maintaining this product.

This manual has been compiled by Draper Tools describing the purpose for which the product has been designed, and contains all the necessary information to ensure its correct and safe use. By following all the general safety instructions contained in this manual, it will ensure both product and operator safety, together with longer life of the product itself.

All photographs and drawings in this manual are supplied by Draper Tools to help illustrate the operation of the product.

Whilst every effort has been made to ensure the accuracy of information contained in this manual, the Draper Tools policy of continuous improvement determines the right to make modifications without prior warning.

# 1. TITLE PAGE

---

## 1.1 INTRODUCTION:

**USER MANUAL FOR: 680kg Support Stand**

**Stock No: 85629**

**Part No: AS-680**

## 1.2 REVISIONS:

**Date first published January 2018.**

---

---

---

---

As our user manuals are continually updated, users should make sure that they use the very latest version.

**Downloads are available from:** <http://drapertools.com/manuals>

Draper Tools Limited  
Hursley Road  
Chandler's Ford  
Eastleigh  
Hampshire  
SO53 1YF  
UK

**Website:** [drapertools.com](http://drapertools.com)

**Product Helpline:** +44 (0) 23 8049 4344

**General Fax:** +44 (0) 23 8026 0784

## 1.3 UNDERSTANDING THIS MANUALS SAFETY CONTENT:

**WARNING!** – Information that draws attention to the risk of injury or death.

**CAUTION!** – Information that draws attention to the risk of damage to the product or surroundings.

## 1.4 COPYRIGHT © NOTICE:

Copyright © Draper Tools Limited.

Permission is granted to reproduce this publication for personal and educational use only. Commercial copying, redistribution, hiring or lending is prohibited.

No part of this publication may be stored in a retrieval system or transmitted in any other form or means without written permission from Draper Tools Limited.

In all cases this copyright notice must remain intact.

---

## 2. CONTENTS

---

<b>1. TITLE PAGE</b>	
1.1 INTRODUCTION .....	2
1.2 REVISION HISTORY .....	2
1.3 UNDERSTANDING THIS MANUAL .....	2
1.4 COPYRIGHT NOTICE.....	2
<b>2. CONTENTS</b>	
2.1 CONTENTS .....	3
<b>3. GUARANTEE</b>	
3.1 GUARANTEE .....	4
<b>4. INTRODUCTION</b>	
4.1 SCOPE.....	5
4.2 SPECIFICATION .....	5
4.3 HANDLING AND STORAGE .....	5
<b>5. HEALTH AND SAFETY INFORMATION</b>	
– Before positioning the lift, you should ensure the following .....	6
– Correct Positioning when using body lift plate .....	6
– Terrain .....	6
– Never exceed the lift's Rated Capacity .....	6
– Working Under The Vehicle .....	7
5.1 SAFETY PRECAUTIONS.....	7
<b>6. TECHNICAL DESCRIPTION</b>	
6.1 IDENTIFICATION .....	8
<b>7. UNPACKING AND CHECKING</b>	
7.1 PACKAGING .....	9
7.2 WHAT'S IN THE BOX? .....	9
<b>8. ASSEMBLING THE VEHICLE LIFT</b>	
8.1 FITTING THE FOOT PEDAL PUMP .....	10
8.2 FITTING THE LIFT COLUMN .....	10
8.3 CONNECTING THE FOOT PEDAL PUMP TO LIFT COLUMNS .....	11
<b>9. VEHICLE LIFTING INSTRUCTIONS</b>	
9.1 WHEEL CRADLE .....	12
9.2 BODY LIFT PLATE.....	12
9.3 HOW TO LOWER THE VEHICLE DOWN.....	12
<b>10. MAINTENANCE</b>	
10.1 MAINTENANCE .....	13
<b>11. EXPLANATION OF SYMBOLS</b>	
11.1 EXPLANATION OF SYMBOLS .....	14
<b>12. DISPOSAL</b>	
12.1 DISPOSAL.....	15
<b>DECLARATION OF CONFORMITY</b> .....	ENCLOSED

## 3. GUARANTEE

---

### 3.1 GUARANTEE

Draper tools have been carefully tested and inspected before shipment and are guaranteed to be free from defective materials and workmanship.

Should the tool develop a fault, please return the complete tool to your nearest distributor or contact:

**Draper Tools Limited, Chandler's Ford, Eastleigh, Hampshire, SO53 1YF. England.**

**Telephone Sales Desk: (023) 8049 4333** or:

**Product Helpline (023) 8049 4344.**

A proof of purchase must be provided.

If upon inspection it is found that the fault occurring is due to defective materials or workmanship, repairs will be carried out free of charge. This guarantee period covering parts/labour is 12 months from the date of purchase except where tools are hired out when the guarantee period is 90 days from the date of purchase. This guarantee does not apply to normal wear and tear, nor does it cover any damage caused by misuse, careless or unsafe handling, alterations, accidents, or repairs attempted or made by any personnel other than the authorised Draper warranty repair agent.

Note: If the tool is found not to be within the terms of warranty, repairs and carriage charges will be quoted and made accordingly.

This guarantee applies in lieu of any other guarantee expressed or implied and variations of its terms are not authorised.

Your Draper guarantee is not effective unless you can produce upon request a dated receipt or invoice to verify your proof of purchase within the guarantee period.

Please note that this guarantee is an additional benefit and does not affect your statutory rights.

**Draper Tools Limited.**

## 4. INTRODUCTION

---

### 4.1 SCOPE

Automotive support stand designed to support under car components such as; exhausts, sub frames, axles, differentials & prop-shafts. Fitted with a bearing mounted spin handle for smooth & simple operation whilst raising & lowering. Acme threaded screw for self-locking positioning. Removable base.

### 4.2 SPECIFICATION

Stock No. ....	85629
Part No. ....	AS-680
Capacity.....	680kg
Minimum Height.....	1360mm
Maximum Height.....	2032mm
Lift Height .....	672mm
Base Size .....	300mm
Nett Weight.....	13.5kg

**Extremely Important:** Read these safety instructions carefully in addition to the instructions for use, operation and maintenance. Keep this instructions sheet in an easy to find place as you may need to use it again. This support stand has been designed for use when supporting under vehicle components and not the vehicle itself. Any other application, beyond the conditions established for use of this support stand will be considered inappropriate. Handle the support stand correctly and ensure that all parts are in good condition prior to its use. Only authorised persons should operate the support stand having read carefully and understood the contents of this manual. Do not modify the support stand in any way. Non-compliance with these rules may result in injury or damage to the user, the support stand or the vehicle components. The manufacturer accepts no responsibility for the improper use of the support stand.

### 4.3 HANDLING AND STORAGE

Care must still be taken when handling. Dropping this machine will have an effect on the machine and may also result in personal injury. This machine is not a toy and must be respected.

The environment will have a negative result on its operation if you are not careful. If the air is damp, components will rust. If the machine is unprotected from dust and debris; components will become clogged: And if not cleaned and maintained correctly or regularly the machine will not perform at its best.

## 5. HEALTH AND SAFETY INFORMATION

---

IMPORTANT: READ THESE INSTRUCTIONS BEFORE OPERATING

### 5.1 SAFETY PRECAUTIONS

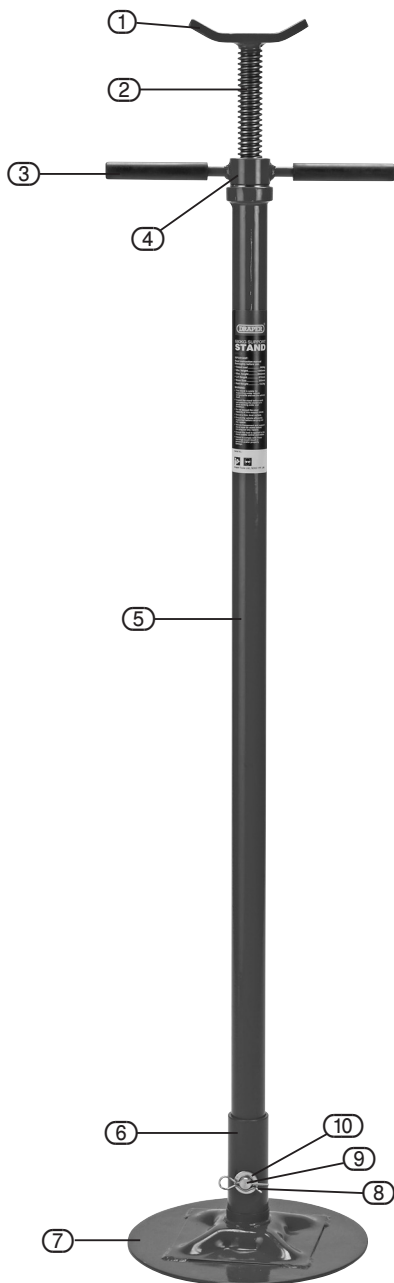
- This stand is solely for supporting under vehicle components and not the vehicle itself.
- Do not exceed the rated capacity of this support stand.
- Inspect the support stand before each use ensuring the stand is in good working order and condition.  
Vehicle Component and support stand must be stable before carrying out any repairs.
- Use on a firm, level surface.
- Ensure the load is applied to the stand saddle centrally.
- Failure to comply with these warnings could result in personal and/or property damage.

## 6. TECHNICAL DESCRIPTION

---

### 6.1 IDENTIFICATION

- ① Saddle
- ② Threaded rod
- ③ Hand grip
- ④ Handle
- ⑤ Main column
- ⑥ Base tube
- ⑦ Base
- ⑧ R clip
- ⑨ Fixing rod
- ⑩ Washer



# 7. UNPACKING AND CHECKING

## 7.1 PACKAGING

Carefully remove the machine from the packaging and examine it for any sign of damage that may have happened during shipping. Lay the contents out and check them against the parts shown below. If any part is damaged or missing; please contact the Draper Helpline (the telephone number appears on the Title page) and do not attempt to use the machine.

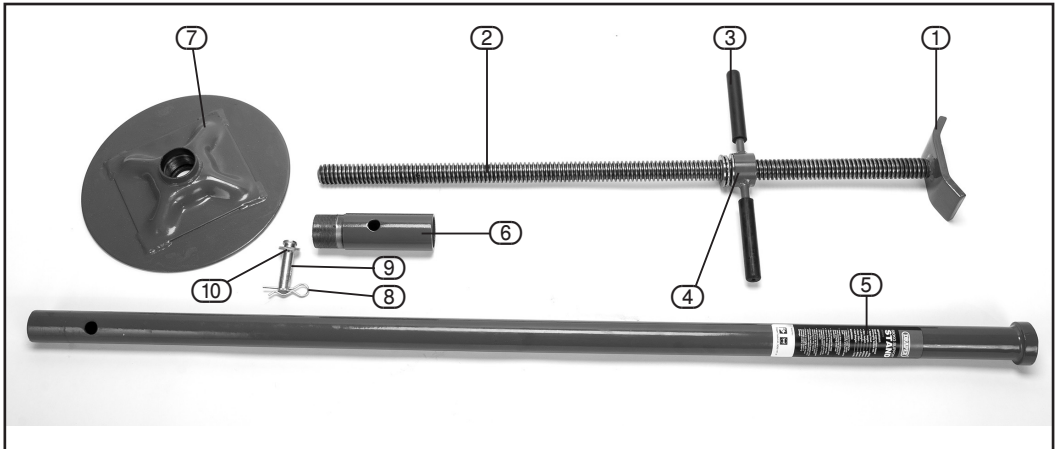
The packaging material should be retained at least during the guarantee period: in case the machine needs to be returned for repair.

**Warning!** Some of the packaging materials used may be harmful to children. Do not leave any of these materials in the reach of children.

If any of the packaging is to be thrown away, make sure they are disposed of correctly; according to local regulations.

## 7.2 WHAT'S IN THE BOX?

The packaging contains several parts and semi-assembled elements that require final assembly. Lay out the contents and check off the items against those featured below.

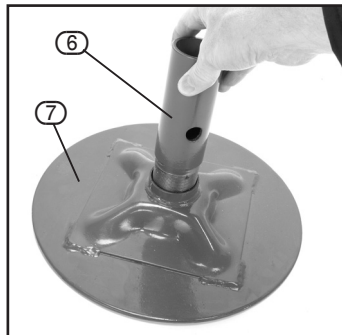


- ① Saddle
- ② Threaded rod
- ③ Hand grip
- ④ Handle
- ⑤ Main column
- ⑥ Base tube
- ⑦ Base
- ⑧ R clip
- ⑨ Fixing rod
- ⑩ Washer x 2

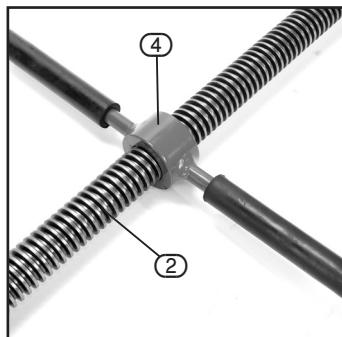


## 8. ASSEMBLING THE STAND

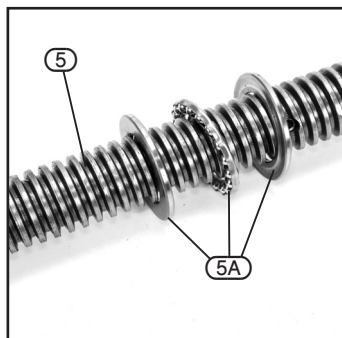
1. Screw the base tube (6) into the round base (7).



2. Thread the handle (4) onto the threaded rod (2).

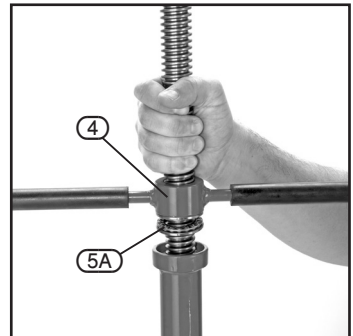
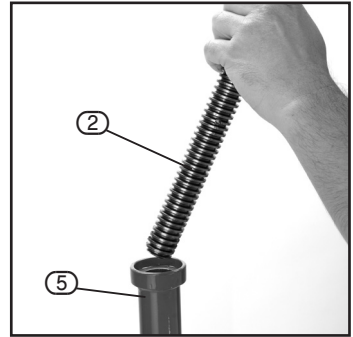


3. Install the bearing assembly (5A) onto the main column (5).

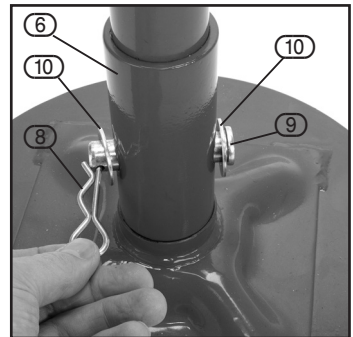


## 8. ASSEMBLING THE STAND

4. Insert the threaded rod (2) assembly through the bearing and into the main column (5) until the underside of the handle (4) rests on the bearing assembly (5A).



5. Insert the fixing rod (9) through a washer (10), through base tube (6), through main column (5) then through another washer (10) and secured with the R clip (8) provided.



## 9. SUPPORT STAND INSTRUCTIONS

---

- Appropriate 'Personal Protective Equipment' must be used at all times.
- Always consult the vehicle manufacturer for the applicable handling of the vehicles component and use of under vehicle support stands.
- Once the stand has been correctly positioned under the vehicles component, hold the saddle in place while turning the handle clockwise until the saddle applies pressure against the component. Ensure the pressure is not excessive as this can cause the vehicle or component to be unstable and no longer safe.
- Before removing the support stand from the vehicles component, ensure the component is firmly attached to the vehicle or sufficiently supported by other means. Once the pressure has been taken off the support stand continue to turn the handle counter clockwise until the saddle has completely lowered.

# 10. MAINTENANCE

---

## 10.1 MAINTENANCE

- **IMPORTANT:** Maintenance of the support stand may only be performed by qualified persons.
- Keep the support stand in a clean, dry place and out of children reach.
- Periodically lubricate the threaded rod & bearing assembly by using a general multipurpose grease.
- Always inspect the support stand prior to any use. Do not use the support stand if any of the components are broken, bent or cracked. Do not use the support stand if any components are missing or have been modified.
- Ensure the warning label is clean and clearly visible.

# 11. EXPLANATION OF SYMBOLS

---

## 11.1 EXPLANATION OF SYMBOLS



**Warning!**

Wear suitable foot protection.



**Warning!**

Wear suitable eye/face protection.



**Warning!**

Read the instruction manual.



**Warning!**

Keep bystanders away.

## 12. DISPOSAL

---

### 12.1 DISPOSAL

- At the end of the machine's working life, or when it can no longer be repaired, ensure that it is disposed of according to national regulations.
- Contact your local authority for details of collection schemes in your area.

In all circumstances:

- Do not dispose of this lift with domestic waste.
- Do not incinerate.
- Do not abandon in the environment.



# CONTACTS

Draper Tools Limited, Hursley Road,  
Chandler's Ford, Eastleigh, Hampshire. SO53 1YF. U.K.

Helpline: (023) 8049 4344

Sales Desk: (023) 8049 4333

Internet: [drapertools.com](http://drapertools.com)

E-mail: [sales@drapertools.com](mailto:sales@drapertools.com)

General Enquiries: (023) 8026 6355

**Service/Warranty Repair Agent:**

For aftersales servicing or warranty repairs, please contact the Draper Tools Helpline for details of an agent in your local area.

YOUR DRAPER STOCKIST

MSKC0118

©Published by Draper Tools Limited.

No part of this publication may be reproduced, stored in a retrieval system or transmitted in any form or by any means, electronic, mechanical photocopying, recording or otherwise without prior permission in writing from Draper Tools Ltd.