

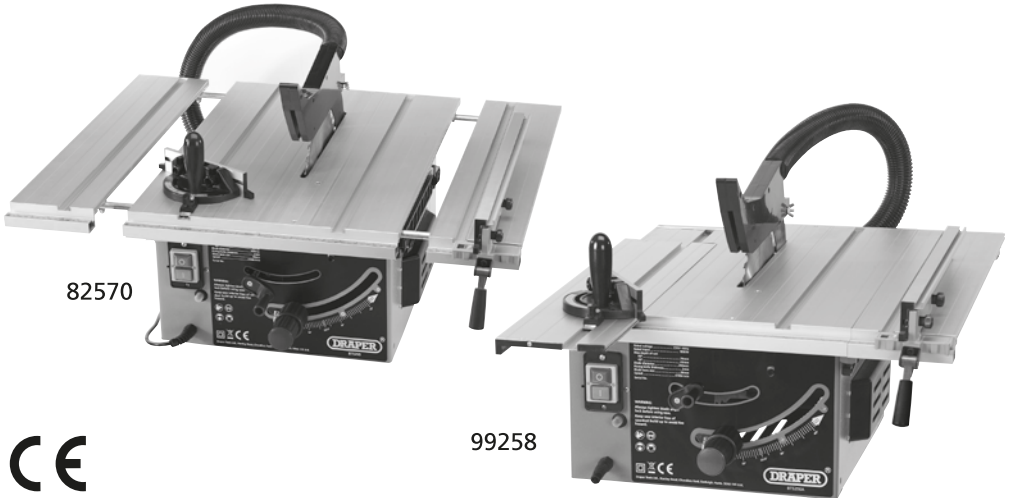


INSTRUCTIONS FOR 230V 250mm Extending/Sliding TableSaws

Stock No's. 82570
99258

Part No's. BTS255
BTS256A

IMPORTANT: PLEASE READ THESE INSTRUCTIONS CAREFULLY TO ENSURE THE SAFE AND EFFECTIVE USE OF THIS PRODUCT.



DRAPER[®]

GENERAL INFORMATION

These instructions accompanying the product are the original instructions. This document is part of the product, keep it for the life of the product passing it on to any subsequent holder of the product. Read all instructions before assembling, operating or maintaining this product.

This manual has been compiled by Draper Tools describing the purpose for which the product has been designed, and contains all the necessary information to ensure its correct and safe use. By following all the general safety instructions contained in this manual, it will ensure both product and operator safety, together with longer life of the product itself.

All photographs and drawings in this manual are supplied by Draper Tools to help illustrate the operation of the product.

Whilst every effort has been made to ensure the accuracy of information contained in this manual, the Draper Tools policy of continuous improvement determines the right to make modifications without prior warning.

1. TITLE PAGE

1.1 INTRODUCTION:

USER MANUAL FOR:

230V 250mm EXTENDING/SLIDING TABLE SAWS

Stock No's. 82570, 99258

Part No. BTS255, BTS256A

1.2 REVISIONS:

Date first published November 2019

As our user manuals are continually updated, users should make sure that they use the very latest version.

Downloads are available from: <http://www.drapertools.com/manuals>

DRAPER TOOLS LIMITED

HURSLEY ROAD

CHANDLER'S FORD

EASTLEIGH

HAMPSHIRE

SO53 1YF UK

WEBSITE: www.drapertools.com

PRODUCT HELPLINE: +44 (0) 23 8049 4344

GENERAL FAX: +44 (0) 23 8026 0784

1.3 UNDERSTANDING THIS MANUALS SAFETY CONTENT:

WARNING! Information that draws attention to the risk of injury or death.

CAUTION! Information that draws attention to the risk of damage to the product or surroundings.

1.4 COPYRIGHT © NOTICE:

Copyright © Draper Tools Limited.

Permission is granted to reproduce this publication for personal & educational use only. Commercial copying, redistribution, hiring or lending is prohibited.

No part of this publication may be stored in a retrieval system or transmitted in any other form or means without written permission from Draper Tools Limited.

In all cases this copyright notice must remain intact.

2. CONTENTS

2.1 CONTENTS

	PAGE CONTENT	PAGE
1	TITLE PAGE	
	1.1 INTRODUCTION	2
	1.2 REVISION HISTORY	2
	1.3 UNDERSTANDING THIS MANUAL	2
	1.4 COPYRIGHT NOTICE	2
2	CONTENTS	
	2.1 CONTENTS	3
3	GUARANTEE	
	3.1 GUARANTEE	4
4	INTRODUCTION	
	4.1 SCOPE	5
	4.2 SPECIFICATION	5
	4.3 HANDLING & STORAGE	5
5	HEALTH & SAFETY INFORMATION	
	5.1 GENERAL SAFETY INSTRUCTIONS FOR POWER TOOL USE	6
	5.2 SPECIFIC SAFETY INSTRUCTIONS FOR TABLE SAWS	7
	5.3 CONNECTION TO THE POWER SUPPLY	9
6	TECHNICAL DESCRIPTION	
	6.1 IDENTIFICATION	10
7	UNPACKING & CHECKING	
	7.1 PACKAGING	11
	7.2 WHAT'S IN THE BOX?	11
8	PREPARING THE TABLE SAW	
	8.1 ATTACHING THE RUBBER FEET	12
	8.2 ATTACHING THE TABLE EXTENSIONS	12
	8.3 RIVING KNIFE ADJUSTMENT	13
	8.4 FITTING THE BLADE GUARD	13
	8.5 RIP FENCE	14
	8.6 DUST EXTRACTION	15
	8.7 MOUNTING THE TABLE SAW	15
	8.8 SAW STAND	16
9	SETTING THE TABLE SAW	
	9.1 ADJUSTMENTS	17
	9.2 MITRE GAUGE ADJUSTMENT	17
10	BASIC TABLE SAW OPERATION	
	10.1 CUTTING METHODS	18
11	MAINTENANCE	
	11.1 REPLACING THE SAW BLADE	20
	11.2 RENEWING THE MOTOR BRUSHES	20
12	TROUBLESHOOTING	
	12.1 TROUBLESHOOTING	21
13	EXPLANATION OF SYMBOLS	
	13.1 EXPLANATION OF SYMBOLS	22
14	DISPOSAL	
	14.1 DISPOSAL	23
	DECLARATION OF CONFORMITY	ENCLOSED

3. GUARANTEE

3.1 GUARANTEE

Draper tools have been carefully tested and inspected before shipment and are guaranteed to be free from defective materials and workmanship.

Should the tool develop a fault, please return the complete tool to your nearest distributor or contact Draper Tools Limited, Chandler's Ford, Eastleigh, Hampshire, SO53 1YF. England. Telephone Sales Desk: (023) 8049 4333 or Product Helpline (023) 8049 4344.

A proof of purchase must be provided with the tool.

If upon inspection it is found that the fault occurring is due to defective materials or workmanship, repairs will be carried out free of charge. This guarantee period covering parts/labour is 12 months from the date of purchase except where tools are hired out when the guarantee period is 90 days from the date of purchase. This guarantee does not apply to normal wear and tear, nor does it cover any damage caused by misuse, careless or unsafe handling, alterations, accidents, or repairs attempted or made by any personnel other than the authorised Draper warranty repair agent.

Note: If the tool is found not to be within the terms of warranty, repairs and carriage charges will be quoted and made accordingly.

This guarantee applies in lieu of any other guarantee expressed or implied and variations of its terms are not authorised.

Your Draper guarantee is not effective unless you can produce upon request a dated receipt or invoice to verify your proof of purchase within the guarantee period.

Please note that this guarantee is an additional benefit and does not affect your statutory rights.

Draper Tools Limited.

4. INTRODUCTION

4.1 SCOPE

The table saw described in this manual is designed to cut wood and wood derived materials. The work piece is manually fed on to the saw blade. Any other application is considered misuse.

4.2 SPECIFICATION

Stock No.	82570	99258
Part No.	BTS255	BTS256A
Motor:		
Rated voltage	230V	230V
Rated frequency	50Hz	50Hz
Rated input	1800W	1800W
Revolutions per minute (no load)	4700r/min	4700r/min
Maximum depth of cut at 90°	74mm	74mm
45°	63mm	63mm
Blade diameter	250mm	250mm
Blade thickness	2.8mm	2.8mm
Bore size	30mm	30mm
Table size	715 × 630mm	690 × 590mm
fully extended	933 × 630mm	800 × 590mm
Extension tables	140 × 630mm	141 × 590mm
front/back sliding wing	n/a	150 × 590mm
Sound power level	107.8dB(A)	107.8dB(A)
Sound pressure level	94.8dB(A)	94.8dB(A)
*Single value noise level	95dB(A)	95dB(A)
Weight (gross)	19kg	19.8kg

4.3 HANDLING & STORAGE

Environmental conditions can have a negative effect on the condition and operation of the table saw. Damp conditions can cause components to rust and corrode. Without regular cleaning and maintenance, dust and debris can clog the machine resulting in poor performance.

*A-Weighed sound power level in accordance to 2000/14/EC

5. HEALTH & SAFETY INFORMATION

5.1 GENERAL SAFETY INSTRUCTIONS FOR POWER TOOL USE

When using any type of power tool there are steps that should be taken to make sure that you, as the user, remain safe.

Common sense and a respect for the tool will help reduce the risk of injury.

Read the instruction manual fully. Do not attempt any operation until you have read and understood this manual.

Most important you must know how to safely start and stop this machine, especially in an emergency.

Keep the work area tidy and clean. Attempting to clear clutter from around the machine during use will reduce your concentration. Mess on the floor creates a trip hazard. Any liquid spill on the floor could result in you slipping.

Find a suitable location. If the machine is bench mounted; the location should provide good natural light or artificial lighting as a replacement. Avoid damp and dust locations as it will have a negative effect on the machine's performance. If the machine is portable; do not expose the tool to rain. In all cases do not operate power tools near any flammable materials.

Beware of electric shock. Avoid contact with earthed surfaces; because they can conduct electricity if there is an electrical fault with the power tool. Always protect the power cable and route it away from danger.

Keep bystanders away. Children, onlookers and passers by must be restricted from entering the work area for their own protection. The barrier must extend a suitable distance from the tool user.

Unplug and house all power tools that are not in use. A power tool should never be left unattended while connected to the power supply. They must be housed in a suitable location, away locked up and from children.

Do not overload or misuse the tool. All tools are designed for a purpose and are limited to what they are capable of doing. Do not attempt to use a power tool (or adapt it in any way) for an application it is not designed for. Select a tool appropriate for the size of the job. Overloading a tool will result in tool failure and user injury: This covers the use of accessories.

Dress properly. Loose clothing, long hair and jewellery are all dangerous because they can become entangled in moving machinery: This can also result in parts of body being pulled into the machine. Clothing should be close fitted, with any long hair tied back and jewellery and neck ties removed. Footwear must be fully enclosed and have a nonslip sole.

Wear personal protective equipment (PPE). Dust, noise, vibration and swarf can all be dangerous if not suitably protected against. If the work involving the power tool creates dust or fumes; wear a dust mask. Vibration to the hand, caused by operating some tools for longer periods must be protected against. Wear vibration reducing gloves and allow long breaks between uses. Protect against dust and swarf by wearing approved safety goggles or a face shield. These are some of the more common hazards and preventions; however, always find out what hazards are associated with the machine/work process and wear the most suitable protective equipment available.

Do not breathe contaminated air. If the work creates dust or fumes; connect the machine (if possible) to an extraction system either locally or remotely. Working outdoors can also help if possible.

Move the machine as instructed. If the machine is hand held, do not carry it by the power supply cable. If the product is heavy; employ a second or third person to help move it safely or use a mechanical device. Always refer to the instructions for the correct method.

Do not overreach. Extending your body too far can result in a loss of balance and you falling. This could be from a height or onto a machine and will result in injury.

Maintain your tools correctly. A well maintained tool will do the job safely. Replace any damaged or missing parts immediately with original parts from the manufacturer. As applicable; keep blades sharp; moving parts clean, oiled or greased; handles clean; and emergency devices working.

5. HEALTH & SAFETY INFORMATION

Wait for the machine to stop. Unless the machine is fitted with a safety brake; some parts may continue to move due to momentum. Wait for **all** parts to stop; then unplug it from the power supply before making any adjustments, carrying out maintenance operations or just finishing using the tool.

Remove and check setting tools. Some machinery requires the use of additional tools or keys to set, load or adjust the power tool. Before starting the power tool always check to make certain they have been removed and are safely away from the machine.

Prevent unintentional starting. Before plugging any machine in to the power supply, make sure the switch is in the OFF position. If the machine is portable; do not hold the machine near the switch and take care when putting the machine down; that nothing can operate the switch.

Carefully select an extension lead. Some machines are not suitable for use with extension leads. If the tool is designed for use outdoors; use an extension lead also suitable for that environment. When using an extended lead, select one capable of handling the current (amps) drawn by the machine in use. Fully extend the lead regardless of the distance between the power supply and the tool. Excess current (amps) and a coiled extension lead will both cause the cable to heat up and can result in fire.

Concentrate and stay alert. Distractions are likely to cause an accident. Never operate a power tool if you are under the influence of drugs (prescription or otherwise), including alcohol or if you are feeling tired. Being disorientated will result in an accident.

Have this tool repaired by a qualified person. This tool is designed to conform to the relevant international and local standards and as such should be maintained and repaired by someone qualified; using only original parts supplied by the manufacturer: This will ensure the tool remains safe to use.

5.2 SPECIFIC SAFETY INSTRUCTIONS FOR TABLE SAWS

WARNING

For your own safety, do not operate your saw until it is completely assembled and installed according to the instructions....and until you have read and understood the safety rules, assembly procedures, adjustment procedures and maintenance etc.

1. STABILITY.

There may be a tendency for the saw to tip over or move during certain cutting operations, such as, cutting extremely large heavy panels or long heavy boards, so the saw must be bolted down.

2. MINIMISE POTENTIAL ACCIDENTS.

Most accidents are caused by **FAILURE TO FOLLOW SET UP AND OPERATION INSTRUCTIONS.** Avoid awkward hand positions, where a sudden slip could cause a hand to move into a saw blade or other cutting tool. Never reach behind, or around the blade with the hand holding down the workpiece for any reason.

DO NOT PLACE FINGERS OR HANDS IN THE PATH OF THE SAW BLADE.

3. Never reach under your machine when operating or make any adjustments when it is running.
4. Turn the saw 'OFF' and disconnect the power supply when changing the blade, removing or replacing the blade guard, or making any adjustments.
5. Always maintain control of the workpiece. **DO NOT 'LET GO'** of the workpiece until the machine has stopped.
6. When removing short workpieces, or cleaning up around the table, be sure the saw is switched 'OFF'.
7. Never turn the saw 'ON' before clearing the table of **all** tools, wood scraps, etc., except the workpiece and related feed or support devices for the operation.
8. When moving the saw, disconnect power supply.

5. HEALTH & SAFETY INFORMATION

9. Never hold onto or touch the 'free end' of the workpiece or a 'free piece' that is cut off, while power is 'ON' and/or the saw blade is rotating.
10. If you stall or jam the saw blade in the workpiece, turn power 'OFF', remove the workpiece from the saw blade and check to see if the saw blade is parallel to the table slots or grooves and if the riving knife is in alignment with the saw blade. If ripping at the time, check to see if the rip fence is parallel with the saw blade. Adjust as indicated in this manual.
WARNING: Do not allow familiarity (gained from frequent use of your saw) to become commonplace. Always remember that a careless fraction of a second is sufficient to inflict severe injury.
11. **MAKE SURE YOUR FINGERS DO NOT CONTACT THE TERMINALS OF THE POWER PLUG** when installing or removing from the mains power supply.
12. **KICKBACKS - THEIR CAUSE.**
Kickbacks can cause serious injury. A kickback occurs when a part of the workpiece binds between the saw blade and the rip fence or another object rises from the table and is thrown towards the operator. Kickbacks can be avoided by attention to the following conditions:
13. **KICKBACK - HOW TO AVOID THEM AND PROTECT YOURSELF FROM POSSIBLE INJURY.**
 - a) Be certain that the saw blade is parallel to the rip fence.
 - b) Do not rip by applying the feed force to the section of the workpiece that will become the cut-off (free) piece. Feed force when ripping should always be applied between the saw blade and the fence....use a push-stick for short work or less than 6" wide.
 - c) Keep saw blade guard and riving knife in place and operating properly. The riving knife must be in alignment with the saw blade.
14. Do not leave a long board (or other workpiece) unsupported so the spring of the board causes it to shift on the table. Provide proper support for the workpiece, based on its size and the type of operation to be performed. Hold the work firmly against the fence and down against the table surface.
15. Never use a length stop on the free end of the workpiece when cross cutting. Never hold onto or touch the free end of the workpiece when cross cutting, or a free piece that is cut off when ripping while power is 'ON' and/or the saw blade is rotating. In short, the cut-off piece in any 'through-sawing' (cutting completely through the workpiece) operation must never be confined – it must be allowed to move laterally.
16. **IF YOUR SAW MAKES AN UNFAMILIAR NOISE OR IF IT VIBRATES EXCESSIVELY, CEASE OPERATING IMMEDIATELY UNTIL THE SOURCE HAS BEEN LOCATED AND THE PROBLEM CORRECTED.**
17. **EXTENSION LEADS**
The use of any extension lead will cause some loss of power. Use only extension leads which have a 3-pin plug and 3-pin sockets which accept the tools plug.
18. **SAFETY PRECAUTIONS**
 - Do not use saw blades which are damaged or deformed;
 - Replace table insert when worn;
 - Use only saw blades recommended by the manufacturer, which conform to EN 847-1.
 - **WARNING:** Ensure that the dimensions of the replacement blade are equal to the one you are replacing, i.e. bore size, diameter and thickness.
 - Take care that the selection of the saw blade is suitable for the material to be cut;
 - Wear suitable personal protective equipment when necessary, which should include:
 - hearing protection to reduce the risk of induced hearing loss,
 - respiratory protection to reduce the risk of inhalation of harmful dust,
 - gloves when handling saw blades and rough material. Saw blades shall be carried in a holder whenever practicable.
 - eye protection to reduce risk of particles entering eyes.

5. HEALTH & SAFETY INFORMATION

- Connect circular saws to a dust-collecting device when sawing.
- Do not use High speed steel (HSS) blades;
- The push-stick or push block should always be stored with the machine when not in use.

19. SAFE OPERATION

- Use push-sticks or push blocks to feed the workpiece past the saw blade;
- Use and correct adjustment of the riving knife;
- Use and correct adjustment of the upper saw blade guard;
- Rebating or grooving should not be carried out.
- Saws shall not be used for slotting (stopping groove);
- Use only saw blades for which the maximum possible speed is not less than the maximum spindle speed of the tool and the material to be cut;
- When transporting the machine use only transportation devices and do not use guards for handling or transportation;
- During transportation the saw blade should be lowered below the table height.

5.3 CONNECTION TO THE POWER SUPPLY

Caution: Risk of electric shock. Do not open.

This appliance is supplied with a moulded 3 pin mains plug for your safety. The value of the fuse fitted is marked on the pin face of the plug. Should the fuse need replacing, ensure the substitute is of the correct rating, approved to BS1362 and ASTA or BS Kite marked.

ASTA 

BSI 

The fuse cover is removable with a small plain slot screwdriver. Ensure the fuse cover is replaced before attempting to connect the plug to an electrical outlet. If the cover is missing, a replacement must be obtained or the plug replaced with a suitable type.


If a replacement plug is to be fitted this must be carried out by a qualified electrician.

The damaged or incomplete plug, when cut from the cable should be disabled to prevent connection to a live electrical outlet.

This appliance is Class II[†] and is designed for connection to a power supply matching that detailed on the rating label and compatible with the plug fitted.

If an extension lead is required, use an approved and compatible lead rated for this appliance.

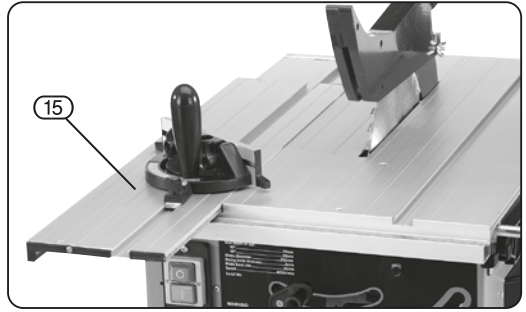
Follow all the instruction supplied with the extension lead.

[†]Double insulated : This product requires no earth connection as supplementary insulation is applied to the basic insulation to protect against electric shock in the event of failure of the basic insulation.

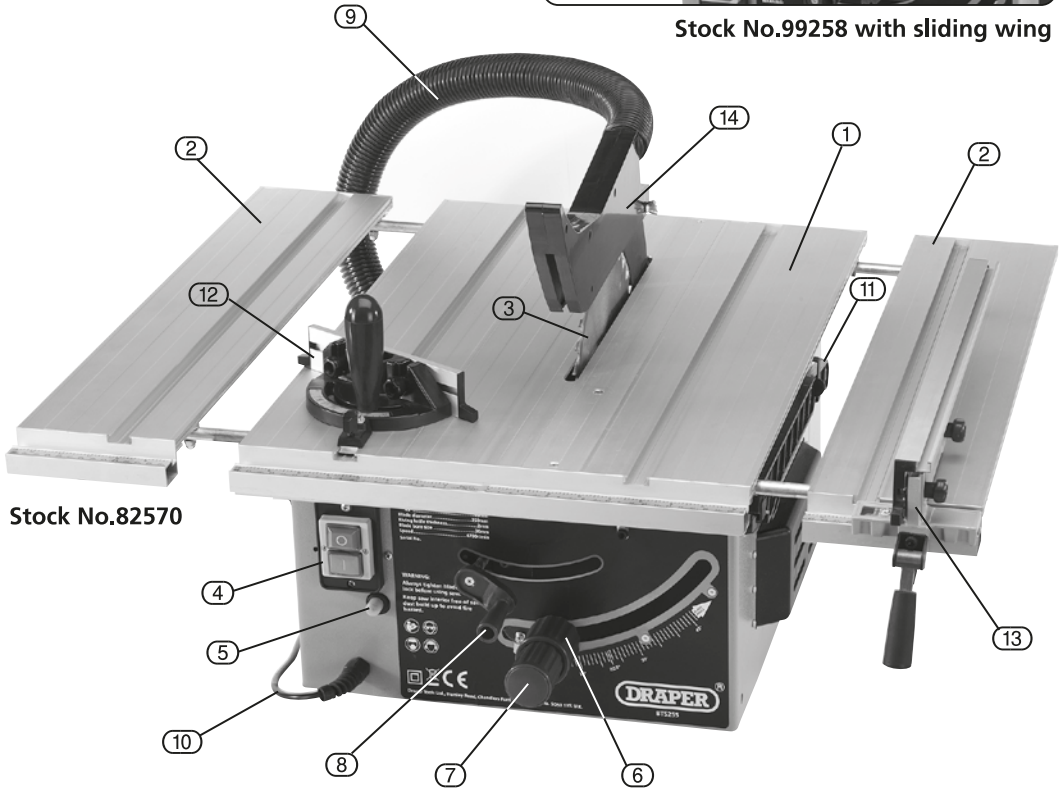
Important: On products exceeding 2000W it is recommended that the power cable and/or extension cable are fully unwound before a connection is made to the power supply. However, ensure the residual cable does not pose a trip hazard

6. TECHNICAL DESCRIPTION

6.1 IDENTIFICATION



Stock No.99258 with sliding wing



Stock No.82570

- ① Work table.
- ② Table extensions.
- ③ T.C.T. Blade.
- ④ No-volt On/Off switch.
- ⑤ Overload protection trip reset switch.
- ⑥ Saw blade angle adjustment.
- ⑦ Saw blade angle adjustment lock.
- ⑧ Saw blade height adjustment.
- ⑨ Dust extraction hose.
- ⑩ Non-rewireable plug & cable.
- ⑪ Push stick and storage holder.
- ⑫ Mitre gauge.
- ⑬ Rip fence assembly.
- ⑭ Blade guard.
- ⑮ Sliding wing (*Stock No.99258 only*).

7. UNPACKING & CHECKING

7.1 PACKAGING

Carefully remove the table saw from the packaging and examine it for any sign of damage that may have happened during shipping. Lay the contents out and check them against the parts shown below. If any part is damaged or missing; please contact the Draper Helpline (the telephone number appears on the Title page) and do not attempt to use the product.

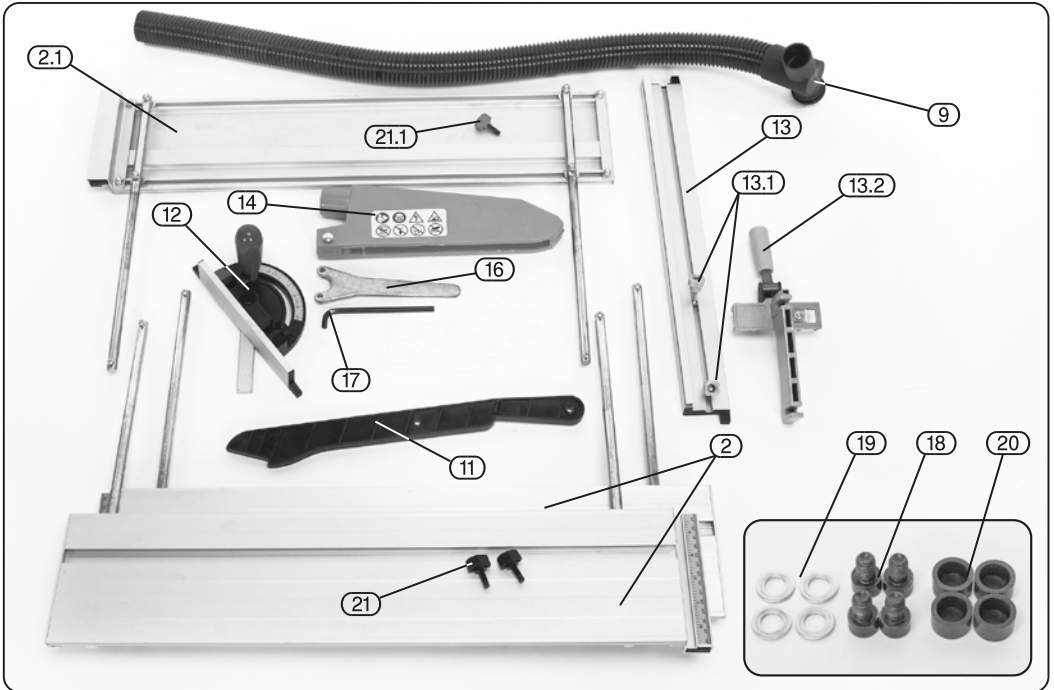
The packaging material should be retained at least during the guarantee period: in case the machine needs to be returned for repair.

Warning! Some of the packaging materials used may be harmful to children. Do not leave any of these materials in their reach.

If any of the packaging is to be thrown away, make sure they are disposed of correctly; according to local regulations.

7.2 WHAT'S IN THE BOX?

As well as the table saw; there are several parts not fitted or attached to it.



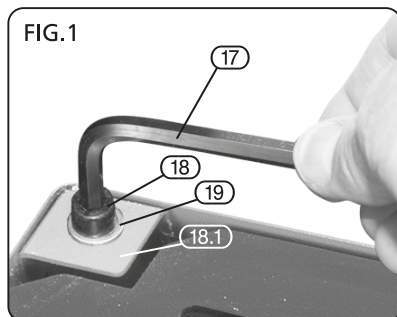
- | | | |
|--|-----------------------------------|-------------------------------------|
| (2) Table extension (Stock No.82570). | (13.1) Rip fence bolts × 2. | (19) 4 × M8 flat washers. |
| (2.1) Table extension (Stock Nos.99258 & 82570). | (13.2) Rip fence handle assembly. | (20) 4 × black rubber caps. |
| (9) Dust extraction hose. | (14) Blade guard. | (21) Thumbscrews (Stock No.82570). |
| (11) Push stick. | (16) Pin spanner. | (21.1) Thumbscrew (Stock No.99258). |
| (12) Mitre gauge. | (17) Hex key. | |
| (13) Rip fence. | (18) 4 × M8 × 12mm hex bolts. | |

8. PREPARING THE TABLE SAW

8.1 ATTACHING THE RUBBER FEET – FIG. 1

NOTE: Ensure that the blade does not show above the work table to avoid damaging the bench surface.

- Thread each of the 4 × M8 × 12mm hex bolts (18) with an M8 flat washer (19).
- Using the hex key (17), screw each of the 4 × M8 × 12mm hex bolts into the 4 mounting brackets (18.1) on the underside of the machine.
- Finally, fit the 4 black rubber caps (20) over each of the bolts.



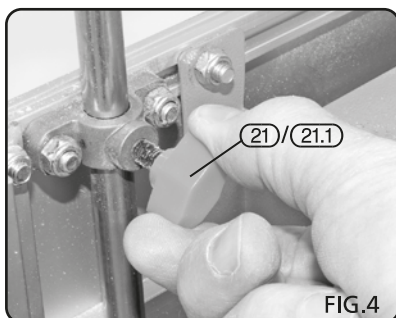
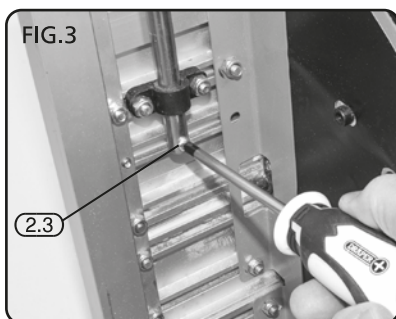
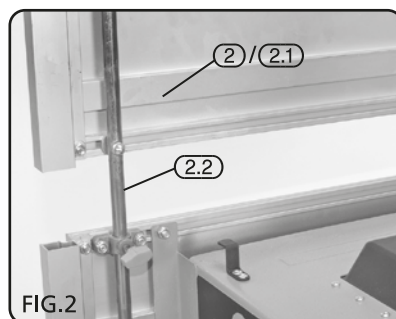
8.2 ATTACH TABLE EXTENSIONS – FIGS. 2 – 4

NOTE: Ensure that the blade does not show above the work table to avoid damaging the bench surface.

To attach table extensions (2) and (2.1):

NOTE: There are left and right wings for stock No.82570.

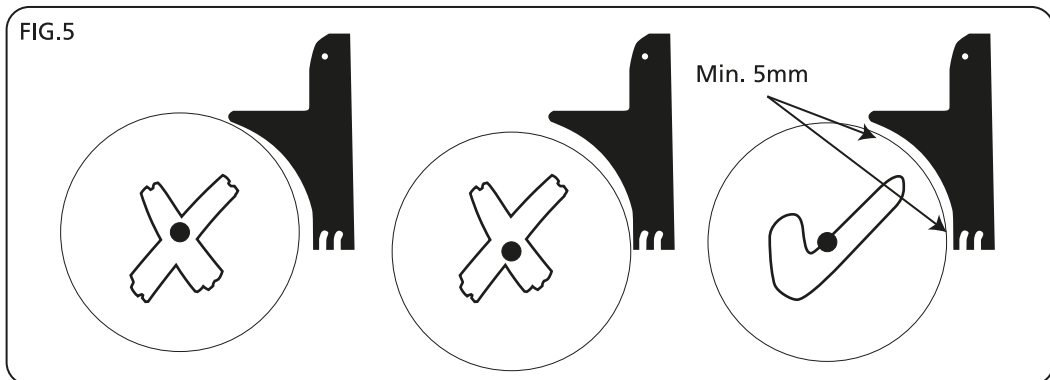
- Remove pan head screws (M5 × 7mm) from the end of the extension arms (2.2) shown in Fig.2.
- Line up the extension arms with guide slots on the extension tables and push in place.
- Replace the pan head screws (M5 × 7mm) (2.3) (Fig.3).
- Use thumb screws to lock extension arm in desired position (Fig.4).



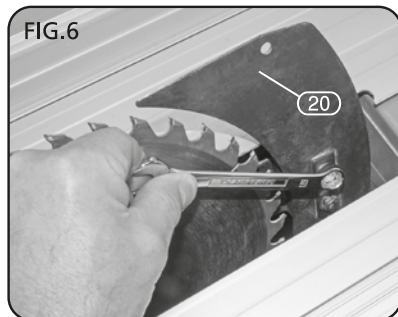
8. PREPARING THE TABLE SAW

8.3 RIVING KNIFE ADJUSTMENT – FIGS. 5 – 6

The blade and riving knife are factory fitted. Before using the table saw, make sure that the riving knife is set as the diagram below in Fig.5. If adjustment is needed, access the blade and riving knife by removing the three screws that hold the blade hole panel on the table top and adjust as required (Fig.6).



NOTE: Always make sure that the riving knife is directly in line with the blade at all times.

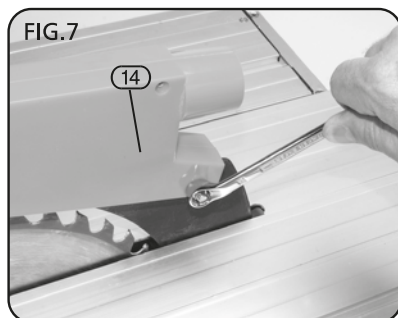


8.4 FITTING THE BLADE GUARD – FIG. 7

Pass the bolt through from the left locating the square shoulder into the blade guard's (14) aperture. Place the locking nut.

The blade guard must have freedom of movement to function safely, allowing the guard to fall as the blade height increases.

NOTE: The shoulder of the blade guard is designed to prevent the guard from being raised more than is functionally necessary prohibiting exposure to the blade (Fig.7).



8. PREPARING THE TABLE SAW

8.5 RIP FENCE – FIGS. 8 - 9

Slide the two bolts (13.1) into the fence (13) as shown in fig.8.

- Place handle assembly (13.2) onto the fence, making sure that the two bolts locate into the slots provided.
- Tighten the securing knobs of the bolts (13.1) to fix the fence to the handle assembly.

To use fence:

- Lift handle up and drop fence assembly (13) into front slot, then push handle down to lock fence in position.

NOTE: The rip fence has two slots, allowing the fence to be attached in the 'high' or 'low' position (Fig.10).

For standard ripping the fence should be mounted as high.

For operations involving thinner/flatter material the fence should be mounted as low position.

CAUTION: The rip fence must be parallel to the blade to minimise the danger of kick back.

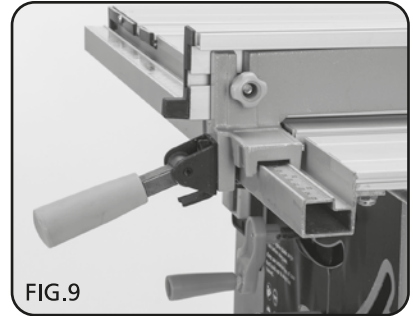
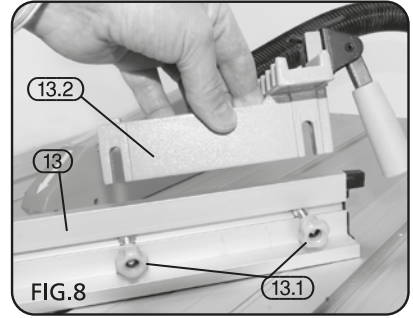
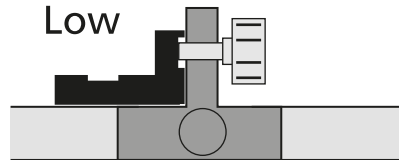
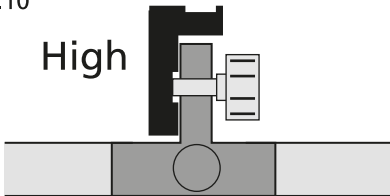


FIG.10



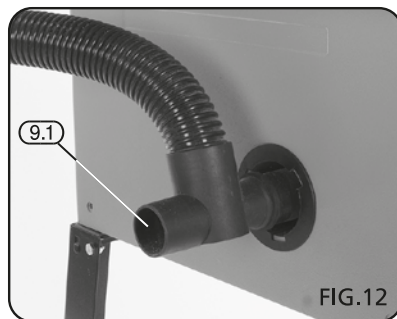
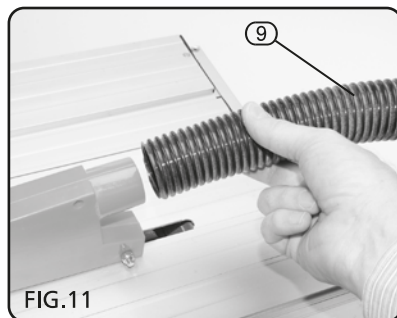
8. PREPARING THE TABLE SAW

8.6 DUST EXTRACTION – FIGS. 11 - 12

- Fit the dust extraction hose (9) onto the blade guard (Fig.11).
- Inhalation of dust particles can be detrimental to health. The dust outlet (9.1) **must** be connected with a dust extraction machine.

NOTE: Due to the outlet diameter, a size adaptation may be necessary.

All wood dust (including dust from composites like chipboards and fibre boards etc) is hazardous to health; it can affect the nose, the respiratory system and the skin. In addition to the above measures a correctly fitted dust mask, suitable for the activity and in accordance to the relevant standard, must be worn. For work activities involving exposure to fine wood dust a mask rated to at least FFP2 should be used.



8.7 MOUNTING TABLE SAW

IMPORTANT: If the saw is to be a permanent fixture, ensure it is sited in an area with adequate illumination and power supply.

DO NOT place it where you will be working in your own shadow, or where extension cables are required - these are hazardous in a workshop environment.

8. PREPARING THE TABLE SAW

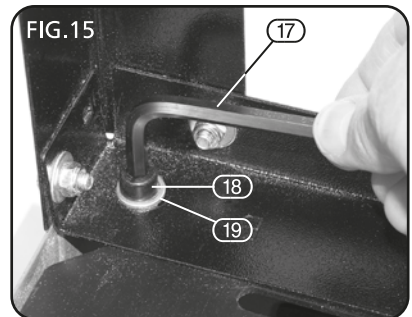
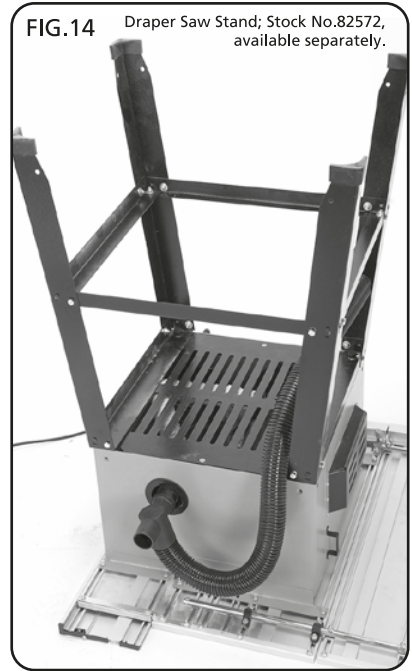
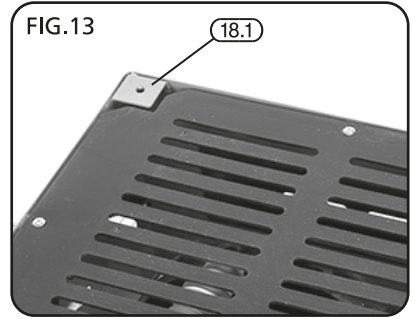
8.8 FLOOR STAND – FIGS. 13 – 15

A floor stand has been specially designed for your Table Saw and is available from your Draper dealer Stock No.82572.

When the stand is assembled, the legs are attached to the table saw using the same fixings supplied for the table feet with the mounting brackets (18.1) located at each corner of the underside of the machine.

NOTE: Ensure that the blade does not show above the work table.

- Place the assembled saw stand in position on top of the upturned table saw, ensuring the holes in the top of the stand align with the holes in the mounting brackets of the table saw.
- Thread each of the 4 x M8 x 12mm hex bolts (18) with an M8 flat washer (19).
- Using the hex key (17), screw each of the 4 x M8 x 12mm hex bolts through the holes in the stand into the 4 mounting brackets (18.1) on the underside of the machine.
- Finally, fit the 4 black rubber caps (20) over each of the bolts.



9. SETTING THE TABLE SAW

9.1 ADJUSTMENTS – FIGS. 16 - 18

CHANGING THE BLADE HEIGHT

Turn the blade height handle (8) to adjust the height of the blade.

CAUTION: The saw blade must be set approximately 5mm above the work piece top. Any greater exposure of the saw blade increases the risk of kick back.

CHANGING THE BLADE ANGLE (BEVEL CUTTING)

Turn the blade angle adjustment dial to adjust the angle of the blade (0-45 degrees).

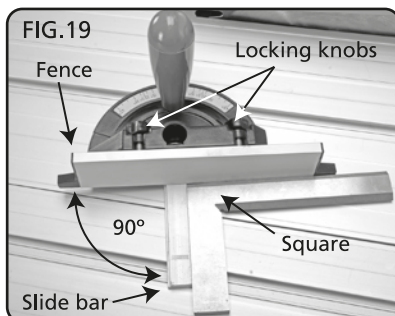
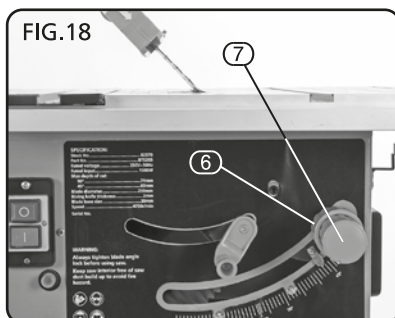
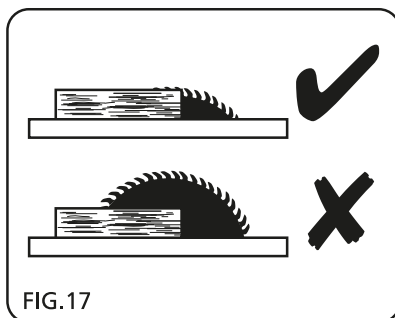
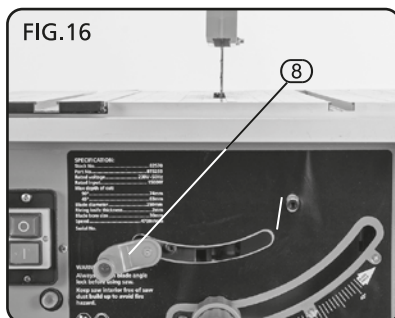
- Loosen, the blade angle locking collar (6).
- Rotate the adjusting knob (7) along the scaled rule to the required angle.
- When correct angle achieved tighten the blade angle locking collar (6) to lock in position.

9.2 MITRE GAUGE ADJUSTMENT – FIG. 19

The mitre gauge is suitable for most applications but for extra accuracy, a protractor or other measuring device should be used when setting the cutting angle. Test the accuracy of the angle on a piece of scrap material before cutting the workpiece:

- When using the left hand groove, hold the workpiece firmly against the mitre gauge head with your left hand, and push with your right hand.
- When using the right hand groove, hold the workpiece with the right hand and push with the left.

WARNING: THE RIP FENCE MUST BE REMOVED FROM THE TABLE WHEN USING THE MITRE GAUGE.



10. BASIC TABLE SAW OPERATION

10.1 CUTTING METHODS – FIGS. 20 - 25

RIPPING:

- Secure the rip fence to the table.
- Remove the mitre gauge.
- Raise the blade to 5mm higher than the top of the work piece.
- Hold the work piece flat on the table and against the fence. Keep the work piece about 25mm back from the blade.

Caution: The workpiece must have a straight edge against the fence and must not be warped, twisted or bowed in any way.

- Keep both hands away from the blade and away from the path of the blade.
- Turn the saw on and allow the blade to reach full speed.
- Keeping the work piece against the table and fence, slowly feed the work piece towards the saw blade.
- Stand with your body to one side of the blade and at the front of the table when feeding the wood. This will reduce the risk of injury should a piece of wood kickback or kick up.
- Continue pushing the work piece and use the push stick (11) until it is clear of the guard and it falls off the rear of the table. Do not overload the motor. Never try to pull a work piece back with the blade turning. Turn the switch off, allow the blade to stop and slide the work piece out.

BEVEL RIPPING:

- This operation is the same as ripping except that the blade angle is set to an angle greater than 0°.

Note: For greater accuracy, use a protractor or other measuring device.

Warning: Only operate with the work piece and rip fence on the right side of the blade to reduce the risk of kickback.

CROSS CUTTING:

- Remove the rip fence and place the mitre gauge in the table slot.
- Set the blade height 5mm above the work piece top.
- Hold the work piece firmly against the mitre guide with both hands.
- Start the saw and allow the blade to spin up to full speed. Whilst gripping the work piece firmly against the guide and pushing flat against the table, slowly slide the wood through the blade.

FIG.20



FIG.21



10. BASIC TABLE SAW OPERATION

BEVEL CROSS CUTTING:

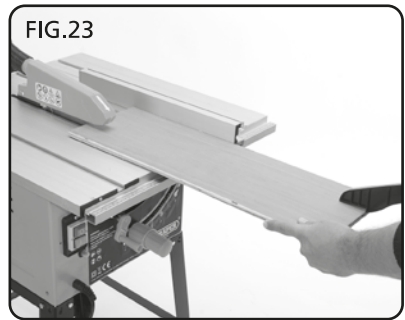
- This operation is the same as cross cutting except that the blade angle is set to an angle greater than 0°, as bevel ripping.

Warning: Only work with the workpiece and mitre guide on the right side of the blade.



RIPPING SMALL/FLAT PIECES OF WOOD:

- This is an unsafe practice and not recommended. It is not safe to have your hands close to the blade. Instead, rip a large piece of material to obtain the desired size.
- When a small piece requires ripping use the push stick provided to hold the work piece in place, keeping your hands away from the blade and have the rip fence set up in the low position as Fig.10.



MITRE CUTTING:

- This operation is the same as cross cutting except the mitre guide is set at any angle other than 90°.

COMPOUND MITRE CUTTING:

- This is a combination of bevel cross cutting and mitre cutting. It is very infrequently used.
- Follow the instructions for both mitre cutting and bevel cross cutting.



WORKPIECE SUPPORT:

- Longer pieces need extra supports, for example, a roller stand (Draper stock No's 13886 & 13887). The supports should be placed to the side for wider material or to the rear for longer material so the workpiece does not sag or kick up.
- The support should allow the workpiece to lay flat on the table during the cutting operation.



11. MAINTENANCE

11.1 REPLACING THE SAW BLADE – FIG. 26

Replace the blade with either Draper Stock No's: 09486, 09487, 09488 or 09489, depending on the desired application.

Note: Remove the plug from the socket before carrying out adjustment, servicing or maintenance.

Raise the blade to full height. Remove the blade guard. Remove the table insert, to access the motor spindle on which the saw blade is fixed.

Using the pin spanner (16) and hex key (17) supplied, hold the blade's outer flange in position. Use the other spanner to loosen the blade locking nut in an anticlockwise direction.

Do not use saw blades which are damaged or deformed.

Only use saw blades recommended, which conform to EN847-1.

Warning: When changing the saw blade beware that the width of the groove cut of the saw blades shall not be less than, and the thickness of the body of the saw, blade shall not be more than, the thickness of the riving knife.

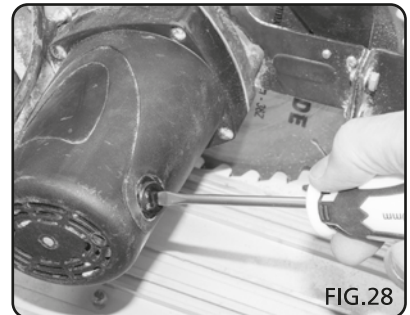
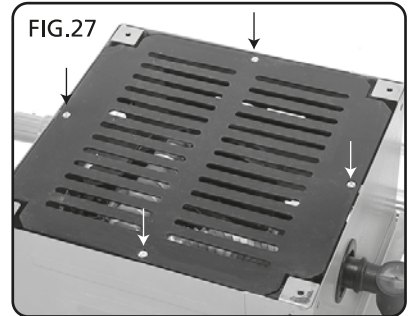
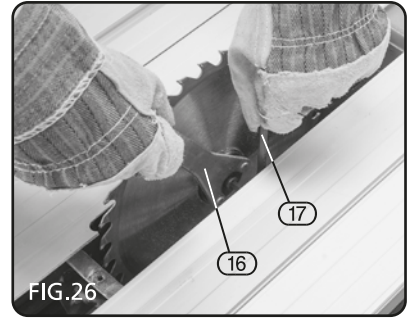
Take care that the selection of the saw blade is suitable for the material to be cut.

11.2 RENEWING MOTOR BRUSHES

– FIGS. 27 - 28

WARNING! ENSURE THE PLUG IS DISCONNECTED FROM THE POWER SUPPLY BEFORE PROCEEDING

- Lower the blade to minimum height and remove the blade guard.
- Turn the table saw over so that it rests on its table top.
- Remove the bottom grill by removing the 4 screws shown.
- Unscrew and remove the brush caps, (one either side of the motor housing), then withdraw the brush with springs attached.
- Carefully insert replacement brushes and replace the screw on caps.
- Always replace both brushes at the same time.



12. TROUBLESHOOTING

12.1 TROUBLESHOOTING

WARNING: For your own safety, turn the switch off and remove the plug from the power supply socket.

Trouble	Probable Cause	Remedy
Saw will not start.	<ol style="list-style-type: none">1. Saw not plugged in.2. Fuse blown or circuit breaker tripped.3. Cable damaged.	<ol style="list-style-type: none">1. Plug in saw.2. Replace fuse or reset circuit breaker.3. Have cable replaced.
Does not make accurate 45° and 90° rip cuts.	<ol style="list-style-type: none">1. Tilt angle pointer not set accurately.	<ol style="list-style-type: none">1. Check blade with square and adjust pointer to zero.
Material pinches blade when ripping.	<ol style="list-style-type: none">1. Rip fence not aligned with blade.2. Warped wood, edge against fence not straight.	<ol style="list-style-type: none">1. Check and adjust rip fence.2. Select another piece of wood.
Material binds on riving knife.	<ol style="list-style-type: none">1. Riving knife not aligned correctly with blade.	<ol style="list-style-type: none">1. Check and align riving knife with blade.
Saw makes unsatisfactory cuts	<ol style="list-style-type: none">1. Blunt blade.2. Blade mounted backwards.3. Gum or pitch on blade.4. Incorrect blade for workpiece.5. Gum or pitch on table causing erratic feed.	<ol style="list-style-type: none">1. Resharpener or replace blade.2. Turn blade around.3. Remove blade and clean with white spirit and coarse steel wool.4. Change to correct type of blade.5. Clean the table.
Material kicked back from blade	<ol style="list-style-type: none">1. Rip fence out of alignment.2. Riving knife not aligned with blade.3. Feeding work piece without rip fence.4. Riving knife not in place.5. Dull blade.6. Letting go of material before it is past saw blade.7. Blade angle locking knob not tight.	<ol style="list-style-type: none">1. Align rip fence with blade.2. Align riving knife with the blade.3. Install and use the rip fence.4. Install and use riving knife (with guard).5. Replace the blade.6. Push material all the way past saw blade before releasing the work.7. Tighten knob.
Blade does not raise or tilt freely.	<ol style="list-style-type: none">1. Sawdust and dirt in raising and tilting mechanism.	<ol style="list-style-type: none">1. Vacuum out loose dust and dirt.
Blade does not run up to speed.	<ol style="list-style-type: none">1. Extension cable too light or too long.2. Low mains voltage.	<ol style="list-style-type: none">1. Replace with adequate size extension cable.2. Check supply voltage.
Machine vibrates excessively.	<ol style="list-style-type: none">1. Saw not mounted securely to stand or work bench.2. Stand or bench on uneven floor.3. Damaged saw blade.	<ol style="list-style-type: none">1. Tighten all fixings.2. Reposition on flat level surface. Fasten to floor if necessary.3. Replace blade.
Does not make accurate 45° and 90° cross cuts.	<ol style="list-style-type: none">1. Mitre gauge out of adjustment.	<ol style="list-style-type: none">1. Adjust mitre gauge.

IMPORTANT: Please note all repairs/service should be carried out by a qualified person.

13. EXPLANATION OF SYMBOLS

13.1 EXPLANATION OF SYMBOLS



Warning!
Wear dust mask.



Danger of
electrocution



Warning!
Wear goggles.



Do not use without
blade guard.



Warning!
Read the instruction
manual



Avoid operation in damp
conditions.



Avoid wearing loose
clothing that could catch
in moving parts.



Warning!
Wear ear defenders.



Ensure table saw is
regularly maintained.



Class II construction
(Double insulated)



Keep hands away from saw
blades.



WEEE
Do not dispose of Waste
Electrical & Electronic
Equipment in with domestic
rubbish.



Single value noise marking.
(maximum declared
A-Weighted sound power
level in decibels).

14. DISPOSAL

14.1 DISPOSAL

- At the end of the machine's working life, or when it can no longer be repaired, ensure that it is disposed of according to national regulations.
- Contact your local authority for details of collection schemes in your area.

In all circumstances:

- Do not dispose of power tools with domestic waste.
- Do not incinerate.
- Do not abandon in the environment.
- Do not dispose of WEEE* as unsorted municipal waste.



* Waste Electrical & Electronic Equipment.

- **DRAPER TOOLS LIMITED,**
Hursley Road, Chandler's Ford,
Eastleigh, Hampshire. SO53 1YF. U.K.
- **Helpline:** (023) 8049 4344
- **Sales Desk:** (023) 8049 4333
- **General Enquiries:** (023) 8026 6355
- **Service/Warranty Repair Agent**
For aftersales servicing or warranty repairs, please contact the Draper Tools Helpline for details of an agent in your local area.

YOUR DRAPER STOCKIST

RDKC1119



Draper Saw Standard, Stock No. 82572,

available separately.