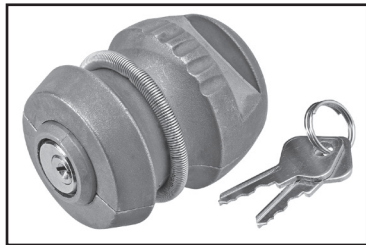


**DRAPER**[®]

TOW BALL LOCK

99674



These instructions accompanying the product are the original instructions. This document is part of the product, keep it for the life of the product passing it on to any subsequent holder of the product. Read all these instructions before assembling, operating or maintaining this product.

This manual has been compiled by Draper Tools describing the purpose for which the product has been designed, and contains all the necessary information to ensure its correct and safe use. By following all the general safety instructions contained in this manual, it will ensure both product and operator safety, together with longer life of the product itself. All photographs and drawings in this manual are supplied by Draper Tools to help illustrate the operation of the product.

Whilst every effort has been made to ensure the accuracy of information contained in this manual, the Draper Tools policy of continuous improvement determines the right to make modifications without prior warning.

USER MANUAL FOR: Tow Ball Lock
Stock No: 99674 **Part No:** TT125

REVISIONS:

Date first published March 2020.

As our user manuals are continually updated, users should make sure that they use the very latest version.

Downloads are available from:

<http://drapertools.com/manuals>

Draper Tools Limited, Hursley Road

Chandler's Ford, Eastleigh, Hampshire SO53 1YF, UK

Website: drapertools.com

Product Help Line: +44 (0) 23 8049 4344

General Fax: +44 (0) 23 8026 0784

UNDERSTANDING THIS INSTRUCTION

LEAFLET'S SAFETY CONTENT:

Warning! – Information that draws attention to the risk of injury or death.

Important – Information that draws attention to the risk of damage to the product or surroundings.

COPYRIGHT © NOTICE:

Copyright © Draper Tools Limited.

Permission is granted to reproduce this publication for personal and educational use only. Commercial copying, redistribution, hiring or lending is prohibited.

No part of this publication may be stored in a retrieval system or transmitted in any other form or means without written permission from Draper Tools Limited.

In all cases this copyright notice must remain intact.

WARRANTY

Draper tools have been carefully tested and inspected before shipment and are guaranteed to be free from defective materials and workmanship.

Should the tool develop a fault, please return the complete tool to your nearest distributor or contact:

Draper Tools Limited, Chandler's Ford, Eastleigh, Hampshire, SO53 1YF, England.

Telephone Sales Desk: +44 (0) 23 8049 4333 or

Product Help Line: +44 (0) 23 8049 4344

A proof of purchase **must** be provided with the tool.

If upon inspection it is found that the fault occurring is due to defective materials or workmanship, repairs will be carried out free of charge. This warranty period covering parts and labour is lifetime from the date of purchase except where tools are hired out when the warranty period is 90 days from the date of purchase. This warranty does not apply to any consumable parts, any type of battery or normal wear and tear, nor does it cover any damage caused by misuse, careless or unsafe handling, alterations, accidents, or repairs attempted or made by any personnel other than the authorised Draper warranty repair agent.

Note: If the tool is found not to be within the terms of warranty, repairs and carriage charges will be quoted and made accordingly.

This warranty applies in lieu of any other warranty expressed or implied and variations of its terms are not authorised.

Your Draper warranty is not effective unless you can produce upon request a dated receipt or invoice to verify your proof of purchase within the warranty period.

Please note that this warranty is an additional benefit and does not affect your statutory rights.

Draper Tools Limited.

HEALTH AND SAFETY INFORMATION

- **Keep the tow ball lock in good condition.** If the tow ball lock is damaged in any way, do not use.
- **Before fitting this product, ensure that the trailer or caravan is stable, braked or the wheels are securely chocked.**

Warning!

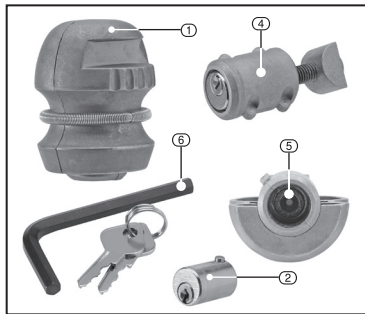
Draper Tools Ltd accepts no responsibility for accidents or loss sustained in the use or misuse of this product.

SPECIFICATION

This tow ball lock features a rotating barrel lock, is easy to fit and helps prevent theft or unauthorised use of trailers or caravans .

Tow ball socket capacity50mm Ø

TECHNICAL DESCRIPTION



- 1 Body.
- 2 Lock barrel.
- 3 Locking keys (× 2).
- 4 Centre spacing mechanism.
- 5 Hex. bolt.
- 6 Hex. key.
- 7 Sprung holding band.

OPERATION AND USE (Figs 1 – 3)

Using one of the two keys provided (3), unlock and remove the barrel lock (2). Insert the tow ball lock into the tow coupling of the trailer or caravan.

Insert the hex. key (6) into the hex. bolt (5) and turn the hex. key anti clockwise – this will cause the two halves of the tow ball body to move apart.

Carry on turning the hex. key until the tow ball expands and is held firmly held in place inside the coupling.

Insert the barrel into the tow ball lock body.

Insert one of the two keys into the barrel of the lock and turn anti-clockwise to lock the barrel in place.

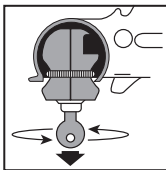


FIG.1

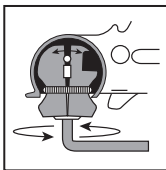


FIG.2

- The trailer or caravan is now secure, helping prevent theft or unauthorised use.
- Carry out the above steps in reverse to remove the tow ball lock.

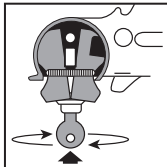


FIG.3

DISPOSAL

- At the end of the machine's working life, or when it can no longer be repaired, ensure that it is disposed of according to national regulations.
- Contact your local authority for details of collection schemes in your area.

EXPLANATION OF SYMBOLS



Read the instruction manual.



Tow coupling capacity.



Warning!



Warning!
Crushing of hands and/or fingers.

CONTACTS

Draper Tools Limited, Hursley Road,
Chandler's Ford, Eastleigh, Hampshire.
SO53 1YF. U.K.

Website: drapertools.com

email: sales@drapertools.com

Product Help Line: +44 (0) 23 8049 4344

Sales Desk: +44 (0) 23 8049 4333

General Enquiries: +44 (0) 23 8026 6355

Service/Warranty Repair Agent:

For aftersales servicing or warranty repairs, please contact the **Draper Tools Help Line** for details of an agent in your local area.

YOUR DRAPER STOCKIST

DBCH0420

©Published by Draper Tools Limited.

No part of this publication may be reproduced, stored in a retrieval system or transmitted in any form or by any means, electronic, mechanical photocopying, recording or otherwise without prior permission in writing from Draper Tools Ltd.