

DRAPER[®]

WET & DRY

VACUUM CLEANER

75443



These instructions accompanying the product are the original instructions. This document is part of the product, keep it for the life of the product passing it on to any subsequent holder of the product. Read all these instructions before assembling, operating or maintaining this product.

This manual has been compiled by Draper Tools describing the purpose for which the product has been designed, and contains all the necessary information to ensure its correct and safe use. By following all the general safety instructions contained in this manual, it will ensure both product and operator safety, together with longer life of the product itself.

All photographs and drawings in this manual are supplied by Draper Tools to help illustrate the operation of the product.

Whilst every effort has been made to ensure the accuracy of information contained in this manual, the Draper Tools policy of continuous improvement determines the right to make modifications without prior warning.

1. INTRODUCTION



1.1 SCOPE


Stainless steel tank vacuum cleaner. Designed to pickup wet and dry materials.

Part of our core range, this product is suitable for enthusiasts and trades persons alike. Any application other than that it was intended for, is considered misuse.

This product is not a toy and must not be used by children or any person with reduced physical, sensory or mental capabilities or lack of experience and knowledge, or people unfamiliar with these instructions.

Local regulations may restrict the age of the operator.

1.2 UNDERSTANDING THIS MANUALS SAFETY CONTENT:

 **Warning!** – Information that draws attention to the risk of injury or death.

Caution! – Information that draws attention to the risk of damage to the product or surroundings.

1.3 EXPLANATION OF SYMBOLS



Before plugging in your tool, make sure the socket voltage matches that on the product plate. If the socket voltage does not match that shown on the type plate, it can result in a serious hazard and damage to your tool.



Important: Read instruction manuals before operating and servicing this equipment.



For indoor use.
Do not expose to rain.



Tank capacity



Motor capacity (Kilowatts).



Rated voltage



Machine weight.



WEEE –
Waste Electrical & Electronic Equipment.
Do not dispose of Waste Electrical & Electronic Equipment in with domestic rubbish.



Class 1 appliance
(Must be earthed).



UK Conformity Assessed.

European conformity.

2. SPECIFICATION




2.1 SPECIFICATION

Stock No.	75443
Part No.	WDV50SS/110A
Rated voltage	230~50Hz
Rated input	1500W
Tank Volume.....	50L (Stainless Steel)
Fluid capacity	34L
Vacuum Pressure.....	22Kpa
Max Airflow.....	30L/sec
Power Take off rating (max)	1000W
Sound pressure level.....	<75dB(A)
Dimensions	530 × 500 × 745mm
Weight (gross).....	16kg

3. HEALTH AND SAFETY INFORMATION



3.1 GENERAL SAFETY INSTRUCTIONS FOR POWER TOOL USE

 **Warning! Read all safety warnings, instructions, illustrations and specifications provided with this power tool.** Failure to follow all instructions listed below may result in electric shock, fire and/or serious injury.

Save all warnings and instructions for future reference.

The term “power tools” in the warnings refers to your mains-operated (corded) power tool or battery-operated (cordless) power tool.

1) Work area safety

- Keep work area clean and well lit.** Cluttered or dark areas invite accidents.
- Do not operate power tools in explosive atmospheres, such as in the presence of flammable liquids, gases or dust.** Power tools create sparks which may ignite the dust or fumes.
- Keep children and bystanders away while operating a power tool.** Distractions can cause you to lose control.

2) Electrical safety

- Power tool plugs must match the outlet. Never modify the plug in any way. Do not use any**

adapter plugs with earthed (grounded) power tools. Unmodified plugs and matching outlets will reduce risk of electric shock.

- b) **Avoid body contact with earthed or grounded surfaces, such as pipes, radiators, ranges and refrigerators.** There is an increased risk of electric shock if your body is earthed or grounded.
- c) **Do not expose power tools to rain or wet conditions.** Water entering a power tool will increase the risk of electric shock.
- d) **Do not abuse the cord. Never use the cord for carrying, pulling or unplugging the power tool. Keep cord away from heat, oil, sharp edges or moving parts.** Damaged or entangled cords increase the risk of electric shock.
- e) **When operating a power tool outdoors, use an extension cord suitable for outdoor use.** Use of a cord suitable for outdoor use reduces the risk of electric shock.
- f) **If operating a power tool in a damp location is unavoidable, use a residual current device (RCD) protected supply.** Use of an RCD reduces the risk of electric shock.

3) Personal safety

- a) **Stay alert, watch what you are doing and use common sense when operating a power tool. Do not use a power tool while you are tired or under the influence of drugs, alcohol or medication.** A moment of inattention while operating power tools may result in serious personal injury.
- b) **Use personal protective equipment Always wear eye protection.** Protective equipment such as a dust mask, non-skid safety shoes, hard hat or hearing protection use for appropriate conditions will reduce personal injuries.
- c) **Prevent unintentional starting. Ensure the switch is in the off-position before connecting to power source and/or battery pack, picking up or carrying the tool.** Carrying power tools with your finger on the switch or energising power tools that have the switch on invites accidents.
- d) **Remove any adjusting key or wrench before turning the power tool on.** A wrench or a key left attached to a rotating part of the power tool may result in personal injury.
- e) **Do not overreach. Keep proper footing and balance at all times.** This enables better control of the power tool in unexpected situations.
- f) **Dress properly. Do not wear loose clothing or jewellery. Keep your hair and clothing away from moving parts.** Loose clothes, jewellery or long hair can be caught in moving parts.
- g) **If devices are provided for the connection of dust extraction and collection facilities, ensure these are connected and properly**

used. Use of dust collection can reduce dust-related hazards.

- h) **Do not let familiarity gained from frequent use of tools allow you to become complacent and ignore tool safety principles.** A careless action can cause severe injury within a fraction of a second.

4) Power tool use and care

- a) **Do not force the power tool. Use the correct power tool for your application.** The correct power tool will do the job better and safer at the rate for which it was designed.
- b) **Do not use the power tool if the switch does not turn it on and off.** Any power tool that cannot be controlled with the switch is dangerous and must be repaired.
- c) **Disconnect the plug from the power source and/or remove the battery pack, if detachable, from the power tool before making any adjustments, changing accessories, or storing power tools.** Such preventive safety measures reduce the risk of starting the power tool accidentally.
- d) **Store idle power tools out of the reach of children and do not allow persons unfamiliar with the power tool or these instructions to operate the power tool.** Power tools are dangerous in the hands of untrained users.
- e) **Maintain power tools and accessories. Check for misalignment or binding of moving parts, breakage of parts and any other condition that may affect the power tool's operation. If damaged, have the power tool repaired before use.** Many accidents are caused by poorly maintained power tools.
- f) **Keep cutting tools sharp and clean.** Properly maintained cutting tools with sharp cutting edges are less likely to bind and are easier to control.
- g) **Use the power tool, accessories and tool bits etc. in accordance with these instructions, taking into account the working conditions and the work to be performed.** Use of the power tool for operations different from those intended could result in a hazardous situation.
- h) **Keep handles and grasping surfaces dry, clean and free from oil and grease.** Slippery handles and grasping surfaces do not allow for safe handling and control of the tool in unexpected situations.

5) Service

- a) **Have your power tool serviced by a qualified repair person using only identical replacements parts.** This will ensure that the safety of the power tool is maintained.

3.2 RESIDUAL RISK

Important: Although the safety instructions and

operating manuals for our tools contain extensive instructions of safe working with power tools, every power tool involves a certain residual risk which can not be completely excluded by safety mechanisms. Power tools must therefore always be operated with caution!

3.3 CONNECTION TO THE POWER SUPPLY

Caution: Risk of electric shock. Do not open.


This appliance is supplied with an approved plug and cable for your safety.

Never use a damaged or incomplete plug.

This appliance is Class I[†] and is designed for connection to a power supply matching that detailed on the rating label and compatible with the plug fitted.

Carefully select an extension lead. Some machines are not suitable for use with extension leads. If the tool is designed for use outdoors, only use an extension lead suitable for that environment in conjunction with an RCD adaptor. When using an extension lead, select one capable of handling the current (amps) drawn by the machine in use. Ensure the cable is fully unwound regardless of the distance between the power supply and the tool. Excess current (amps) and a coiled extension lead will cause the cable to heat up and can result in fire.

Keep extension leads away from moving hazardous parts to avoid damages to the cable which can lead to contact with live parts. Position cable safely to avoid tripping over.

[†]Earthed:  This product requires an earth connection to protect against electric shock from accessible conductive parts in the event of a failure of the basic insulation.

Important! If using an extension lead, follow the instructions that came with your lead regarding maximum load while cable is wound. If in doubt, ensure that the entire cable is unwound. Using a coiled extension lead will generate heat which could melt the lead and cause a fire.

4. UNPACKING AND CHECKING



4.1 PACKAGING

Carefully remove the product from the packaging and examine it for any sign of damage. Check contents against the parts shown in Fig A. If any part is damaged or missing, please contact the Draper Help Line (see back page). Do not attempt to use the product!

The packaging material should be retained during the warranty period, in case the product needs to be returned for repair.

 **Warning!**

- Some of the packaging materials may be harmful to children. Do not leave any of these materials in

reach of children.

- If any of the packaging is to be thrown away, make sure they are disposed of correctly, according to local regulations.

5. IDENTIFICATION – FIG.A (GB)



5 4 3



- ① Tank.
- ② Vacuum hose connector.
- ③ Main vacuum switch.
- ④ Power take off socket.
- ⑤ Power take off switch.
- ⑥ Tank catches x 2.
- ⑦ Mains plug and cable.

- ⑧ Tank drain.
- ⑨ Attachment tool storage.
- ⑩ Handle.
- ⑪ Castors x 2.
- ⑫ Rear wheels x 2.



- ⑬ Flexible vacuum hose.
- ⑭ Vacuum handle grip/air control.
- ⑮ Extension tubes x 2.
- ⑯ Vacuum attachment for floors and carpets.
- ⑰ Crevice attachment.
- ⑱ Brush attachment for delicate surfaces.
- ⑲ Paper dust bag.
- ⑳ Cartridge filter.
- ㉑ Anti-foam filter.
- ㉒ Wheel locking pins x 2.
- ㉓ Wheel hub caps x 2.
- ㉔ Wheel washers x 4.
- ㉕ Wheel axle.
- ㉖ Stepped power tool adaptor.

FIG.A

Note: For details of our full range of accessories and consumables, please visit drapertools.com

6. PREPARE THE VACUUM CLEANER

GB

6.1 FITTING THE REAR WHEELS— FIGS. 1 – 2

- Pass the wheel axle (25) through the moulded brackets (25.1) situated on the underside of the machine.
- Thread a washer (24) on each end of the axle followed by the 2 rear wheels (12).

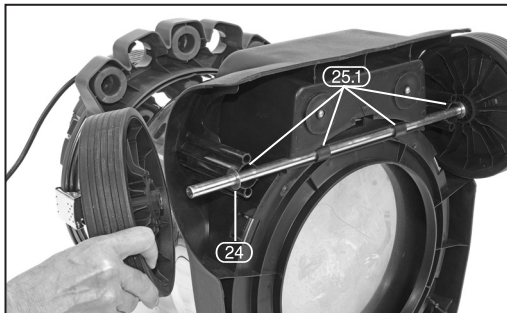


FIG. 1

- Thread the remaining 2 washers over the ends of each wheel and then fasten in place using the 2 wheel locking pins (22).
- Snap-fit the 2 wheel hub caps (23) in place to complete the wheel assembly.

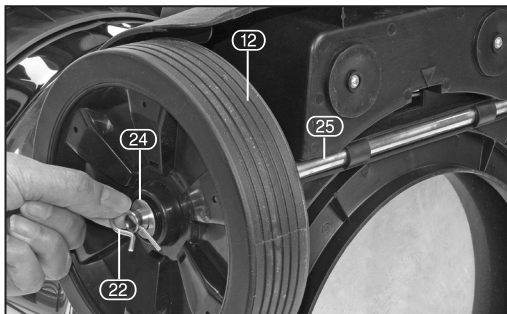


FIG. 2

6.2 FITTING THE CASTORS – FIG. 3

- Snap-fit the 2 castors (11) into the slots (11.1) situated on the underside of the machine base to complete the transport assembly.

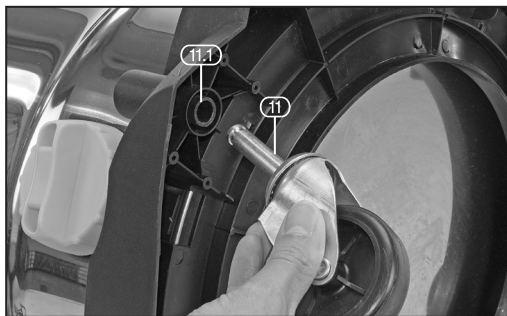


FIG. 3

6.3 TANK DRAIN CAP – FIG. 4

- If not already in place, ensure that the tank drain cap (8.1) is fitted in position before using the vacuum cleaner for any operation.

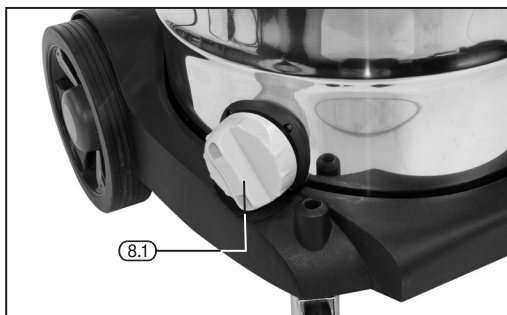


FIG. 4

7. OPERATION

GB

7.1 CHANGING SETUP FROM WET TO DRY VACUUMING – FIG. 5

Empty the tank and dispose of any liquid which may have been picked up previously.

Remove the anti-foam filter (12) (if fitted).

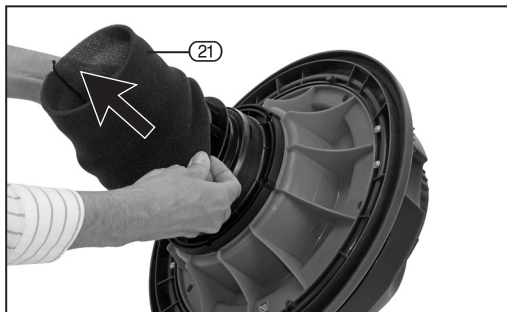


FIG. 5

7.2 FIXING CARTRIDGE FILTER

– FIG. 6

The cartridge filter (20) must now be fitted by placing it below the motor head as shown, and then securing it in place by turning the fixing knob (20.1) clockwise.

Note: The cleaner comes complete with a cleanable cartridge filter. The cartridge filter should be cleaned using a soft brush at regular intervals. This will ensure a longer service life and higher suction power. If the cartridge filter is not used when vacuuming dry dust and dirt motor damage will occur.

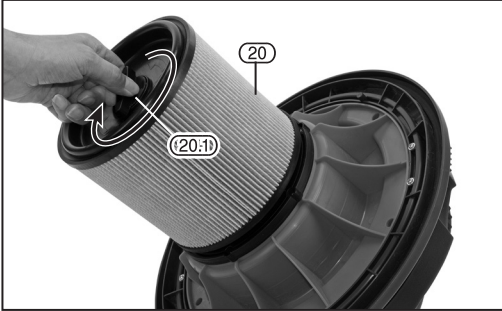


FIG. 6

7.3 ATTACHING THE PAPER DUST BAG – FIG. 7

When using the paper dust bag (19), dirt can be removed more hygienically and the life of the cartridge filter will be prolonged. The paper dust bag NEVER replaces the cartridge filter but, the filter cartridge can be used without the paper dust bag.

Note: As suction power decreases, replace the paper dust bag with a new one.



FIG. 7

7.4 REFIT OF MOTOR HOUSING – FIG. 8

Place housing on top as shown, then secure using the two tank catches (6).



FIG. 8

7.5 CONNECTING ATTACHMENTS – FIGS. 9 - 10

Insert the head of flexible vacuum hose (13) into the vacuum hose connector (2) and twist to lock it in place.

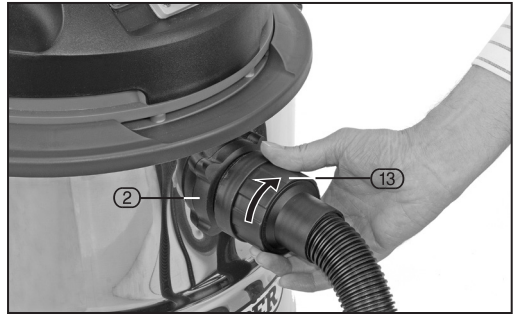


FIG. 9

Push fit the other end of the flexible vacuum hose (13.1) into the vacuum handle grip (14). The grip incorporates a suction power regulating device (14.1). To obtain full suction power the regulator should be closed.

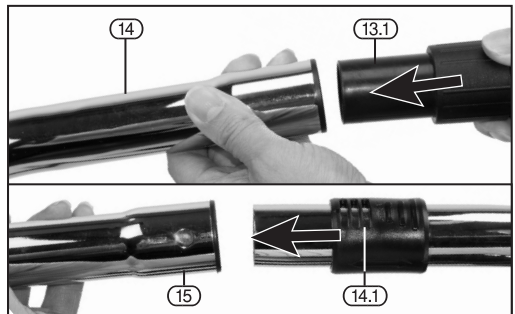


FIG. 10

7.6 SWITCHING ON – FIG. 11

Connect the vacuum cleaner to the power supply.





- Press switch (3) to the  position.
- Press switch (5) to the  position.



FIG. 11

7.7 POWER TAKE-OFF SOCKET – FIG. 12

To use the vacuum cleaner in conjunction with a power tool for dust extraction purposes:

- Plug the power lead from the power tool into the power take-off socket (4).
- Press switch (3) to the  position.
- Press switch (5) to the  position.
- When the tool is now operated, the vacuum will begin to run and when the tool is switched off, the vacuum will stop.
- Use the adaptor supplied (26) to attach the vacuum tube to the tools dust extraction port.

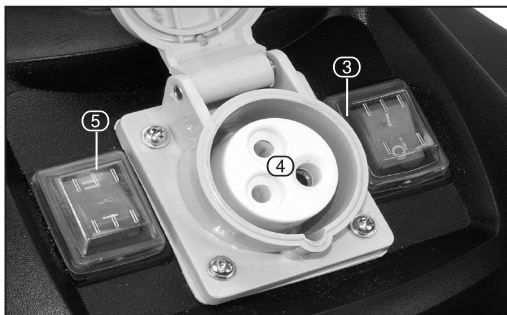


FIG. 12

Attention: EXPLOSION AND FIRE HAZARD! Never vacuum asbestos, inflammable fluids, such as petrol, oil, solvents, etc. Do not work near inflammable fluids or gas. Never vacuum fluids or material hotter than 60°C, such as burning cigarettes, ashes, glowing coals, etc. If cable becomes damaged replace immediately.

Always keep the filter cartridge clean; for maximum performance.

7.8 CHANGING SETUP FROM DRY TO WET VACUUMING – FIG.13

- Empty the tank and dispose of any dirt/dust which may have been picked up previously.
- Remove the cartridge filter (14) if fitted.
- Now fit the anti foam filter (12). This slides over the float cage as shown.

NEVER VACUUM DRY DUST AND DIRT WITH THIS FILTER FITTED AS IT WILL PROVIDE LITTLE OR NO PROTECTION RESULTING IN MOTOR DAMAGE.

- Refit the motor housing.

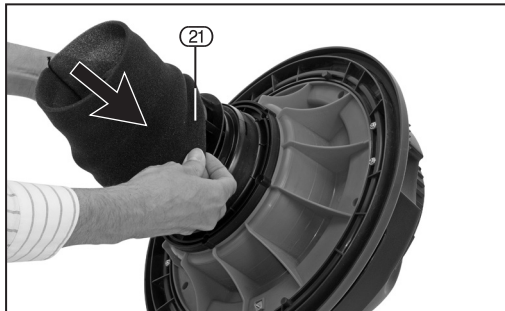


FIG. 13

Note: The crevice nozzle (8) should be used when the water level is too high. To ensure the air flow is adequate, we recommend that the end of the nozzle is not totally immersed.

7.9 FITTING THE LARGE VACUUM ATTACHMENT – FIG. 14

Fit the large vacuum attachment (16) onto the end of the extension tube (15).

Note: When the fluids have reached the highest permissible level in the tank, the float regulator will cover the motor filter causing the motor to work harder, it will become noisier, at this point turn off and empty the tank.



FIG. 14

7.10 SWITCHING ON – FIG. 15

Connect the vacuum cleaner to the power supply.



- Press switch ③ to the  position.
- Press switch ⑤ to the  position.



FIG. 15

7.11 WATER ON LARGE AREAS

Note: The large vacuum attachment ①⑥ should be used on floors and other flat surface areas where the water to be picked up has dispersed over a large area but is only shallow.

The crevice nozzle ①⑦ should be used when the water level is too high to use the large fluid nozzle.

Note: To ensure the air flow is adequate we recommend that the end of the nozzle is not totally immersed.

8. MAINTENANCE

8.1 BASIC MAINTENANCE

Note: Remove the plug from the socket before carrying out adjustment, servicing or maintenance.

Regular inspection and cleaning reduces the necessity for maintenance operations and will keep your tools in good working condition.

The motor must be correctly ventilated during the tools operation. For this reason avoid blocking the air inlets.

If the replacement of the supply cord is necessary, this has to be done by the manufacturer or his agent in order to avoid a safety hazard.

- Empty tank regularly. Never leave fluids in the receptacle as these could damage the material over a period of time.
- After having picked up fluids, dry extension tubes, hose and motor parts by running the vacuum cleaner for a few minutes, AFTER HAVING EMPTIED THE TANK.
- Always keep spare dust bags and cartridge filters so that the vacuum cleaner is always ready for use.
- Regularly clean and wash the motor filter located inside the fluid float cage.
- Use of paper dust bags - as suction pressure

decreases, replace the paper dustbag with a new one.

- Clean the cartridge filter periodically with a soft brush. This will prolong the life of the filter.

Note: The filter must be dry before re-using.

9. WARRANTY

9.1 WARRANTY

Draper tools have been carefully tested and inspected before shipment and are guaranteed to be free from defective materials and workmanship.

Should the tool develop a fault, please return the complete tool to your nearest distributor or contact:

Draper Tools Limited

UK: Chandler's Ford, Eastleigh, Hampshire, SO53 1YF. England.

EU: Oude Graff 8, 6002 NL Weert (NL).

Telephone Sales Desk: +44 (0)23 8049 4333 or:

Product Helpline +44 (0)23 8049 4344.

A proof of purchase must be provided.

If upon inspection it is found that the fault occurring is due to defective materials or workmanship, repairs will be carried out free of charge. This warranty period covering parts/labour is 24 months from the date of purchase except where tools are hired out when the warranty period is 90 days from the date of purchase. This warranty does not apply to any consumable parts, any type of battery or normal wear and tear, nor does it cover any damage caused by misuse, careless or unsafe handling, alterations, accidents, or repairs attempted or made by any personnel other than the authorised Draper warranty repair agent.

Note: If the tool is found not to be within the terms of warranty, repairs and carriage charges will be quoted and made accordingly.

This warranty applies in lieu of any other warranty expressed or implied and variations of its terms are not authorised.

Your Draper warranty is not effective unless you can produce upon request a dated receipt or invoice to verify your proof of purchase within the warranty period.

Please note that this warranty is an additional benefit and does not affect your statutory rights.

Draper Tools Limited.

10.1 DISPOSAL

- At the end of the machine's working life, or when it can no longer be repaired, ensure that it is disposed of according to national regulations.
- Contact your local authority for details of collection schemes in your area.

In all circumstances:

- Do not dispose of power tools with domestic waste.
- Do not incinerate.
- Do not dispose of WEEE* as unsorted municipal waste.



* *Waste Electrical & Electronic Equipment.*