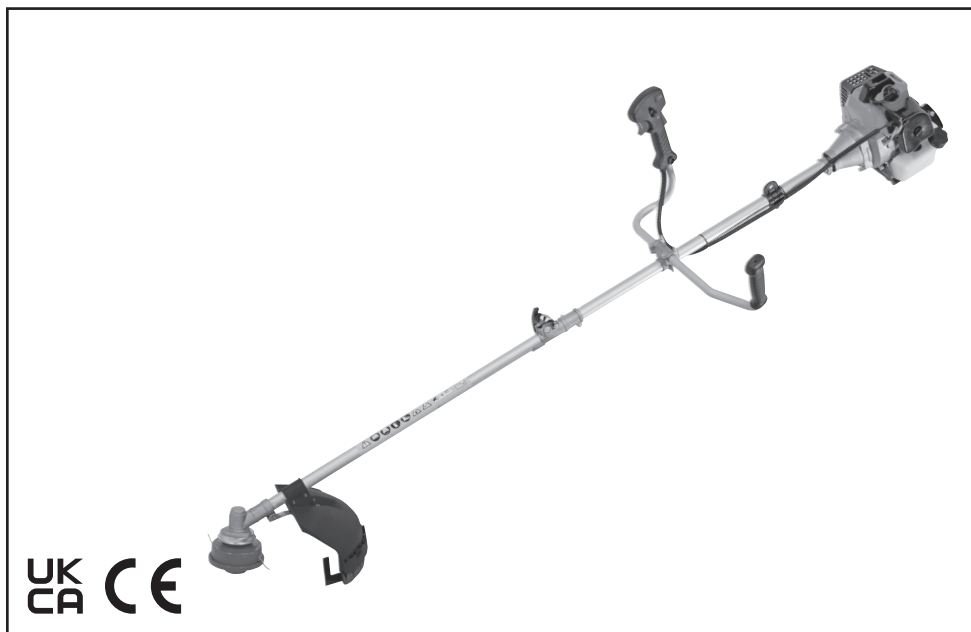




PETROL

BRUSH CUTTER

80880



These instructions accompanying the product are the original instructions. This document is part of the product, keep it for the life of the product passing it on to any subsequent holder of the product. Read all these instructions before assembling, operating or maintaining this product.

This manual has been compiled by Draper Tools describing the purpose for which the product has been designed, and contains all the necessary information to ensure its correct and safe use. By following all the general safety instructions contained in this manual, it will ensure both product and operator safety, together with longer life of the product itself.

All photographs and drawings in this manual are supplied by Draper Tools to help illustrate the operation of the product.

Whilst every effort has been made to ensure the accuracy of information contained in this manual, the Draper Tools policy of continuous improvement determines the right to make modifications without prior warning.

1. TITLE PAGE

1.1 INTRODUCTION:

USER MANUAL FOR: Petrol Brush Cutter

Stock No: 80880

Part No: GTP34

1.2 REVISIONS:

Date first published September 2017.

Revised version April 2022

As our user manuals are continually updated, users should make sure that they use the very latest version.

Downloads are available from: <http://drapertools.com/manuals>

Draper Tools Limited
Hursley Road
Chandler's Ford
Eastleigh
Hampshire
SO53 1YF
UK

Delta International BV
Oude Graaf 8
6002 NL
Weert
Netherlands

Website: drapertools.com

Product Helpline: +44 (0) 23 8049 4344

General Fax: +44 (0) 23 8026 0784

1.3 UNDERSTANDING THIS MANUALS SAFETY CONTENT:

WARNING! – Information that draws attention to the risk of injury or death.

CAUTION! – Information that draws attention to the risk of damage to the product or surroundings.

1.4 COPYRIGHT © NOTICE:

Copyright © Draper Tools Limited.

Permission is granted to reproduce this publication for personal and educational use only. Commercial copying, redistribution, hiring or lending is prohibited.

No part of this publication may be stored in a retrieval system or transmitted in any other form or means without written permission from Draper Tools Limited.

In all cases this copyright notice must remain intact.

2. CONTENTS

1. TITLE PAGE	
1.1 INTRODUCTION.....	2
1.2 REVISION HISTORY	2
1.3 UNDERSTANDING THIS MANUAL	2
1.4 COPYRIGHT NOTICE	2
2. CONTENTS	
2.1 CONTENTS	3
3. GUARANTEE	
3.1 GUARANTEE	4
4. INTRODUCTION	
4.1 SCOPE.....	5
4.2 SPECIFICATION	5
4.3 HANDLING AND STORAGE.....	5
4. INTRODUCTION	
4.1 SCOPE.....	5
4.2 SPECIFICATION	5
4.3 HANDLING AND STORAGE.....	5
5. HEALTH AND SAFETY INFORMATION	
– 1) Personal protective equipment (ppe).....	6
– 2) Training	6
– 3) Preparation	6
– 4) Operation	6-7
– 5) Maintenance	7
– 6) Storage.....	7
6. TECHNICAL DESCRIPTION	
6.1 IDENTIFICATION	8
7. UNPACKING AND CHECKING	
7.1 PACKAGING	9
7.2 WHAT'S IN THE BOX?	9
8. ASSEMBLING THE BRUSH CUTTER	
8.1 SPLIT SHAFT.....	10
8.2 SHOULDER STRAP.....	10
8.3 CHANGING THE CUTTING MEANS	11
8.4 FUEL	12
9. BRUSH CUTTER INSTRUCTIONS	
9.1 COLD STARTING THE ENGINE.....	13
9.3 STOPPING THE ENGINE.....	14
9.4 BRUSH CUTTING.....	14
9.5 BLADE THRUST.....	14
9.6 GRASS TRIMMING.....	15
10. MAINTENANCE & TROUBLESHOOTING	
10.1 CARBURETTOR ADJUSTMENT	16
10.2 AIR FILTER	16
10.3 SPARK PLUG.....	16
10.4 CLEANING, TRANSPORT & STORAGE	17
11. OPTIONAL ACCESSORIES	
11.1 OPTIONAL ACCESSORIES.....	18
12. EXPLANATION OF SYMBOLS	
12.1 EXPLANATION OF SYMBOLS.....	19
13. DISPOSAL	
13.1 DISPOSAL	20
DECLARATION OF CONFORMITY	ENCLOSED

3. GUARANTEE

3.1 GUARANTEE

Draper tools have been carefully tested and inspected before shipment and are guaranteed to be free from defective materials and workmanship.

Should the tool develop a fault, please return the complete tool to your nearest distributor or contact:

Draper Tools Limited, Chandler's Ford, Eastleigh, Hampshire, SO53 1YF. England.

Telephone Sales Desk: (023) 8049 4333 or:

Product Helpline (023) 8049 4344.

A proof of purchase must be provided.

If upon inspection it is found that the fault occurring is due to defective materials or workmanship, repairs will be carried out free of charge. This guarantee period covering parts/labour is 12 months from the date of purchase except where tools are hired out when the guarantee period is 90 days from the date of purchase. The guarantee is extended to 24 months for parts only. This guarantee does not apply to normal wear and tear, nor does it cover any damage caused by misuse, careless or unsafe handling, alterations, accidents, or repairs attempted or made by any personnel other than the authorised Draper warranty repair agent.

Note: If the tool is found not to be within the terms of warranty, repairs and carriage charges will be quoted and made accordingly.

This guarantee applies in lieu of any other guarantee expressed or implied and variations of its terms are not authorised.

Your Draper guarantee is not effective unless you can produce upon request a dated receipt or invoice to verify your proof of purchase within the guarantee period.

Please note that this guarantee is an additional benefit and does not affect your statutory rights.

Draper Tools Limited.

4. INTRODUCTION

4.1 SCOPE

This product is designed for the cutting of grass, weeds and similar soft vegetation with the line trimmer head.

With the brush cutter blade fitted it can cut stubborn weeds and brush.

4.2 SPECIFICATION

Stock No.	80880
Part No.	GTP34
Fuel tank capacity	0.9L
Cutting attachment:	
Grass trimmer:	
Type	2.4mmØ Tap'N'Go
Cutting diameter	440mm
Brush cutter:	
Type	3 tooth metal blade
Blade diameter:	255mm
Engine displacement	32.5cc
Maximum engine performance (ISO 8893)	1000W (1KW)
Engine speed at recommended max. spindle rotational frequency.....	8,200min ⁻¹
Engine speed at idling	3,000min ⁻¹
Vibration level	8.0m/s ²
Sound pressure level.....	96.2dB(A)
Sound power level	108.0dB(A)
Weight	7.2kg (gross)

4.3 HANDLING AND STORAGE

Care must still be taken when handling and lifting. Dropping this machine will have an effect on the accuracy and may also result in personal injury. This machine is not a toy and must be respected.

The environment will have a negative result on its operation if you are not careful. If the air is damp, components will rust. If the machine is unprotected from dust and debris; components will become clogged: And if not cleaned and maintained correctly or regularly the machine will not perform at its best.

5. HEALTH AND SAFETY INFORMATION

WARNING: A brush cutter can cause serious or even fatal injury if used carelessly or incorrectly. For your safety, please read and understand these instructions before operating the machine.

Brush cutters pose a health and safety risk even to careful and informed users. Seek advice, training or employ a professional to carry out the task if uncertain or nervous of the potential risks and dangers involved.

1) Personal protective equipment (PPE)

- Equipment specifically designed for use with brush cutters shall be worn, consisting of:
 - Safety helmet (EN 397).
 - Mesh visor (EN 1731).
 - Hearing protection (EN 352).
 - Gloves - to reduce vibration.
 - Trousers with incorporated or additional shin guards.
 - Non-slip boots (EN 345-2).
 - High visibility jacket.

Foot and shin protection are paramount as debris thrown from the cutting means exits at high velocity.

2) Training

- Read the instructions carefully.
- Do not operate the machine without being completely familiar on all safety aspects, functions and most importantly how to stop the machine in an emergency.
- Never allow children or people unfamiliar with these instructions to use the appliance. Local regulations may restrict the age of the operator.
- The operator or user is responsible for accidents or hazards occurring to other people or their property.

3) Preparation

- Never operate the machine whilst tired, ill or under the influence of alcohol, drugs or medicines that may impair vision, judgement or coordination.
- Never use a machine that has been modified from its original specification.
- Always carry a basic first aid kit containing large wound dressings.
- Keep bystanders a minimum of 15m away and all access points into the work area marked accordingly.
- Never stand on anything other than the ground.
- Check cutting attachment is correctly fitted to the machine before attempting to start the engine.

4) Operation

- Ensure the correct ratio of fuel and oil are used.
- Never use the brush cutter if the stop switch is faulty or not functional.
- Prior to each use, inspect the brush cutter for damage. Ensure all safety mechanisms function correctly and the cutting means is of the type and design specified by the manufacturer.
- Never set the machine down whilst the engine is still running or cutting attachment rotating.
- Beware of conditions under foot. Always ensure safe footing.
- Always be sure of your footing on slopes.
- Never cut above knee height.
- Never operate the brush cutter with defective or missing guards.
- Avoid inhalation of exhaust gases. Never run in enclosed spaces/indoors due to risk of gas poisoning.
- Always operate the brush cutter with both hands.
- Only operate using the harness supplied. Ensure it is suitably adjusted to the correct size

5. HEALTH AND SAFETY INFORMATION

for the user to avoid fatigue during use.

- Do not put hands or feet near rotating parts.
- Ensure the engine is stopped and disconnect the spark ignition lead:
 - whenever you leave the machine.
 - before clearing entangled debris.
 - before checking, cleaning or working on the machine.
 - after striking a foreign object. Inspect the machine for damage and make repairs as necessary.
 - if the machine starts to vibrate abnormally. Stop the engine immediately before inspecting.

5) Maintenance

- Never modify this brush cutter in any way.
- Always maintain the brush cutter in good working order and regularly serviced by an authorised agent.
- Only use replacement parts supplied by the manufacturer.
- Ensure the spindle/cutting means does not rotate while the brush cutter is at idle.
- All safety devices must remain fitted and functional.
- Use only fresh, clean and good quality fuel/oil mix in this brush cutter.
- Never refuel in close proximity to naked flames, sparks or other sources of ignition, e.g. a cigarette.
- Allow engine to cool before refuelling.
- Ensure the correct ratio of fuel and oil are used.
- Do not set down a hot brush cutter on or near easily combustible material e.g. dry leaves or grass.
- Move away from the refuelling area before restarting the brush cutter.
- Store fuel for short periods only and avoid mixing more than is required. Store in a container specifically designed for petrochemical applications away from heat and direct sunlight.
- Wipe up and correctly dispose of any fuel spillage immediately with a suitable medium.
- Regularly check external nuts and fixing to ensure vibration caused by normal use has not begun to loosen them.

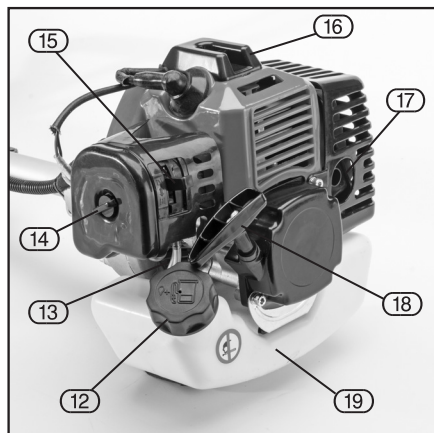
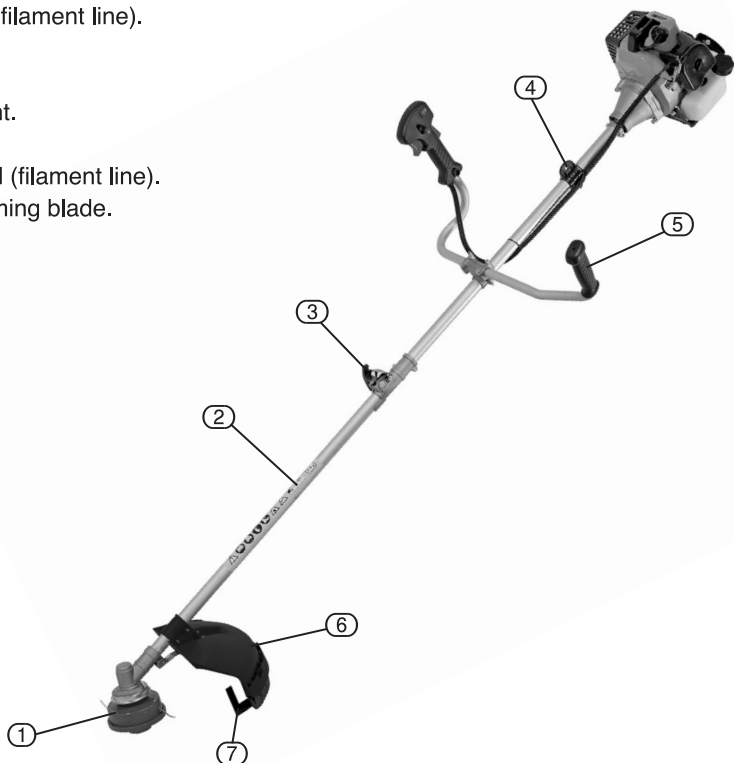
6) Storage

- After each use clean the brush cutter thoroughly.
- Remove the spark plug ignition lead from the back of the spark plug and position the lead to avoid accidental reconnection.
- Locate the machine out the reach of children, in a dry locked unit.
- Remove all residual fuel from the fuel tank before storing.

6. TECHNICAL DESCRIPTION

6.1 IDENTIFICATION

- ① Flexible cutting element (filament line).
- ② Shaft tube.
- ③ Split shaft connection.
- ④ Harness suspension point.
- ⑤ Handle.
- ⑥ Cutting attachment guard (filament line).
- ⑦ Filament line length trimming blade.
- ⑧ Throttle trigger.
- ⑨ Engine stopping device.
- ⑩ Throttle lock.
- ⑪ Throttle trigger lockout.
- ⑫ Fuel tank cap.
- ⑬ Primer.
- ⑭ Air filter cover.
- ⑮ Choke.
- ⑯ Spark plug cover.
- ⑰ Silencer (muffler).
- ⑱ Pull start cord.
- ⑲ Fuel tank.



7. UNPACKING AND CHECKING

7.1 PACKAGING

Carefully remove the machine from the packaging and examine it for any sign of damage that may have happened during shipping. Lay the contents out and check them against the parts shown below. If any part is damaged or missing; please contact the Draper Helpline (the telephone number appears on the Title page) and do not attempt to use the machine.

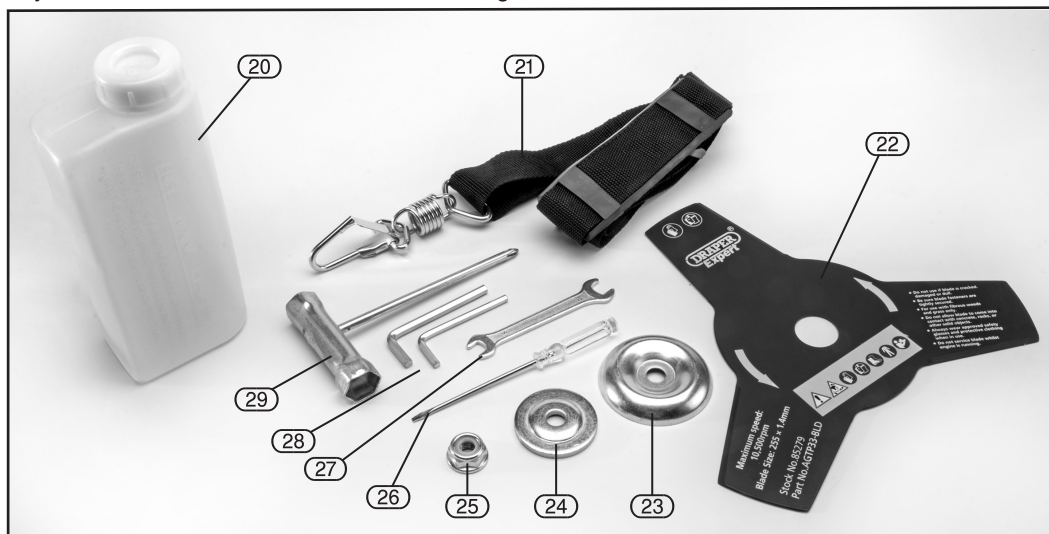
The packaging material should be retained at least during the guarantee period: in case the machine needs to be returned for repair.

Warning! Some of the packaging materials used may be harmful to children. Do not leave any of these materials in the reach of children.

If any of the packaging is to be thrown away, make sure they are disposed of correctly; according to local regulations.

7.2 WHAT'S IN THE BOX?

The packaging contains several parts and semi-assembled elements that require final assembly. Lay out the contents and check off the items against those featured below.



- (20) Fuel mixing bottle.
- (21) Shoulder strap/harness - quick release.
- (22) Blade.
- (23) Securing cap.
- (24) Spacer ring.
- (25) Securing nut.
- (26) Screwdriver.
- (27) Spanner.
- (28) Hex. keys.
- (29) Box spanner.

8. ASSEMBLING THE BRUSH CUTTER

8.1 SPLIT SHAFT

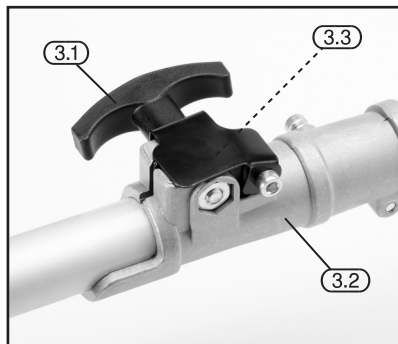
Before attempting to join the two part shaft, ensure locking knob (3.1) is loose.

Depress lever (3.3) and insert the lower shaft into coupler (3.2).

Note: Ensure the lower shaft is correctly originated prior to insertion to aid alignment. Release lever (3.3). Only when lever (3.3) springs outward has the shaft correctly located. Tighten knob (3.1) securely.

To separate the shaft loosen lock knob (3.1), depress lever (3.3) and pull the sections apart.

Note: Never attempt to separate the shaft until the engine and cutting means have stopped.

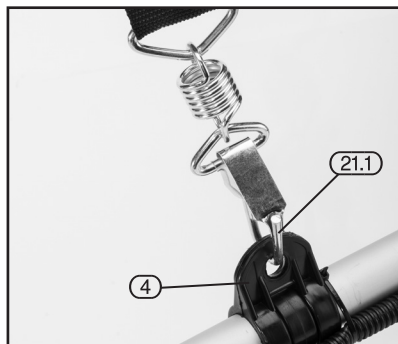


8.2 SHOULDER STRAP

Fit the shoulder strap across the chest from left shoulder down to right hip. Adjust the metal buckle to suit. Mount the brush cutter to the harness by attaching the harness clip (4) onto the harness point (21.1).

It may be prudent to further adjust the strap at this point to ensure a comfortable fit.

Adjust the harness straps so that the brush cutter blade is parallel to the ground. The harness point is fixed during manufacture and should provide excellent machine balance. With a cutting blade fitted the machine should balance with the blade approximately 10cm from the ground to prevent contact with stones etc.



8. ASSEMBLING THE BRUSH CUTTER

Attention: Metal blade is sharp - wear gloves when handling.

8.3 CHANGING THE CUTTING MEANS

Warning: Only use cutting means of the type and design as specified by the manufacturer.

To remove the brush blade invert the machine and insert the hex. key (28) through aperture (1.1) in the guard and locate it in the corresponding aperture on the rear flange. This prevents the blade from rotating.

Whilst holding the hex. key in position, use the box spanner to unscrew the blade securing nut in a clockwise direction.

Note: The spindle has a left hand thread.

Remove nut (25), cup (23), front flange (24), rear flange (24.1) and blade (22).

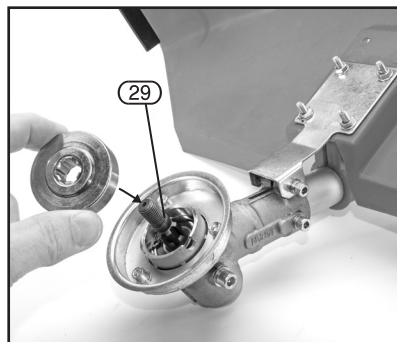
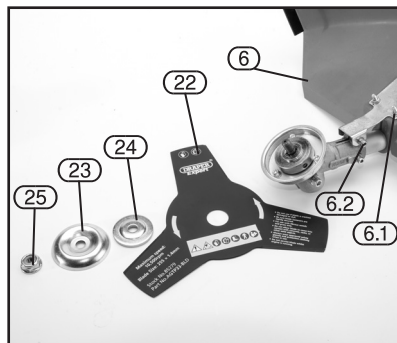
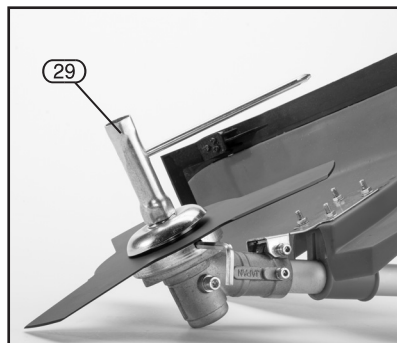
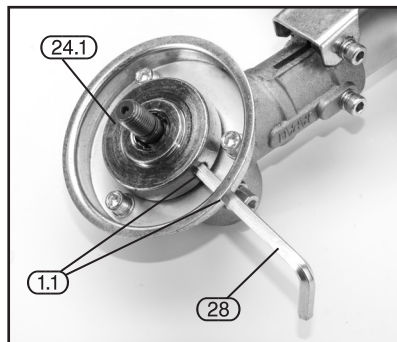
Note: The rear flange is a tight fit in the blade so may be difficult to detach from the blade.

Note: The blade is reversible and can be fitted either way up.

To fit the trimming spool, first mount the plastic guard (6) to mounting point (6.1). Use the hex. bolts (6.2) supplied. Refit the rear flange on to the spindle ensuring correct orientation.

Using a hex. key to lock the spindle through the corresponding apertures (1.1). Screw on the filament line spool anti-clockwise. Ensure the trimmer head is tightened securely to the spindle.

Warning: Take care against injury from any device fitted for trimming the filament line length.



8. ASSEMBLING THE BRUSH CUTTER

8.4 FUEL

This brush cutter is equipped with a 2 stroke air cooled petrol engine.

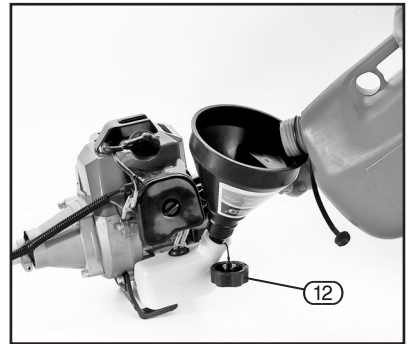
This type of engine requires a mixture of fuel and oil to perform and function. Failure to use the correct oil, fuel or mixture ratio will cause permanent damage to the engine. Only use fresh, clean, good quality unleaded fuel mixed with a high quality 2 stroke oil. Do not use any other types of oil e.g. engine oil as this will cause damage to the engine.

For standard oil a mix ratio of 25:1 must be used to mix a ratio of 25:1, add 0.2 litres (200ml) of 2 stroke oil into 5 litres of unleaded fuel (4%). For synthetic oil a mix ratio of 50:1 must be used. To mix a ratio of 50:1, add 0.1 litres (100ml) of 2 stroke oil into 5 litres of unleaded fuel (2%).

Attention: Always handle fuel with caution.

Pour the fuel/oil mixture into a specifically designed mixing receptacle before replacing the cap and shaking gently. Remove the fuel tank cap (12) by turning anti-clockwise. With the aid of a funnel pour the fuel/oil mixture into the fuel tank before replacing the cap firmly.

Note: Always mix and refuel in a well ventilated area away from sources of ignition.



9. BRUSH CUTTER INSTRUCTIONS



Warning: Use of this product can pose a danger to wildlife. Before attempting to use this product check the area, particularly long grass and under bushes, for signs of life and relocate if necessary.


Note: Not all animals will be deterred by the noise of the product alone.

Warning: Do not start the machine until it is fully assembled, correctly adjusted and all functions and controls are familiar.

9.1 COLD STARTING THE ENGINE

Place the brush cutter on a clear, stable piece of ground making sure that the cutting means is free and not touching any objects.

Ensure that the stop switch (9) is in the 'on' position. Grip the handle, covering the throttle trigger lockout (11) with the palm of your hand. Pull the throttle trigger (8). Depress throttle lock button (10) and release throttle trigger. The trigger will be locked in a partially advance position for starting purposes.

Pump the primer (13) repeatedly until fuel begins to appear in the bulb. This moves fuel up the lines to the head. Move choke lever (15) upwards to the  position. Firmly grasp the brush cutter shaft below the power head with your left hand. Slowly pull the recoil starter cord until resistance is felt then proceed to pull the starter using short, sharp movements.

Note: Do not pull the starter cord to its full extent or allow it to recoil without control as this can damage the mechanism. Continue to pull the cord until the engine attempts to start. At this point return the choke lever (15) to the open position (down). Pull the starter cord until the engine starts. As soon as the engine is running, gently depress the throttle trigger to release the throttle lock button.

Release the throttle trigger and allow the engine to idle

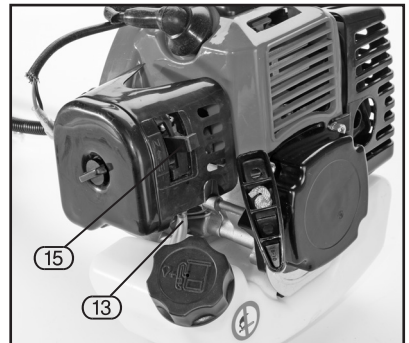
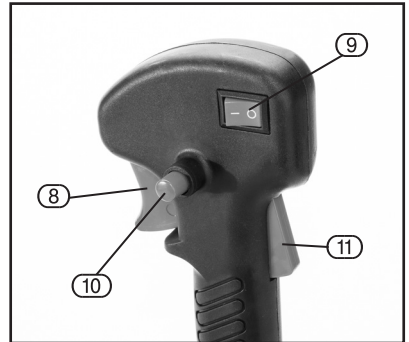
Warning: The blade will rotate while the throttle lock button is engaged.

Note: If there is a strong smell of fuel this indicates the engine may be flooded. Wait a few minutes before attempting to re-start the machine as if the engine were warm i.e. no choke.

Allow the engine to run at low speed for approx. 1 minute before running at full throttle.

9.2 WARM STARTING THE ENGINE

Position the stop to the 'on' position. Engage the throttle lock button. Without any choke, pull the starter cord to start the engine. Gently depress the throttle trigger to release the throttle start button.



9. BRUSH CUTTER INSTRUCTIONS

9.3 STOPPING THE ENGINE

To stop the engine, slide the 'stop' switch upwards to the 'off' position.

Warning: The cutting means will continue to rotate for a period after the throttle has been released/the engine stopped.

WORKING TECHNIQUES

9.4 BRUSH CUTTING

This brush cutter blade is intended to cut coarse grass, weed, brush or similar vegetation.

Note: The cutting blade should not be used on woody stems with a diameter greater than 2cm.

Begin cutting at full throttle. The brush is cut down using sweeping sideways movements. Clearing is done on the right to left stroke with the left hand side of the blade (between approx 8-12 o'clock) performing the cut.

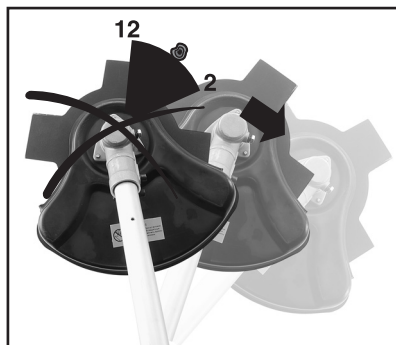
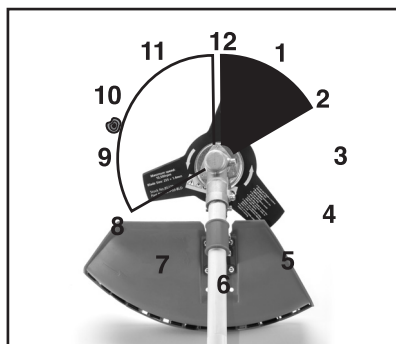
As much as possible, try to work systematically. Stand firmly with your feet approximately shoulder width apart. Move forward after the return stroke and stand firmly once again. Prevent the blade contacting the ground. To avoid risk of material becoming wrapped around the blade, always work at full throttle and where possible avoid previously cut material on the return stroke.

9.5 BLADE THRUST

Definition:

Sudden and uncontrolled motion towards the operators side or rear that may occur when the rotating blade comes in contact with a solid object such as a tree, rock or wall.

This is particularly the case if attempting to make a cut with the blade segment between 12 and 2 o'clock. Use of this blade segment should be avoided; failure to do so can lead to uncontrollable kickback and possible risk of personal injury. To avoid kickback only use the blade segment between 8 and 12 o'clock. Performing cuts using the blade segment between 2 and 5 o'clock should be carried out by trained and experienced operators only.



9. BRUSH CUTTER INSTRUCTIONS

9.6 GRASS TRIMMING

The nylon filament line head is intended to cut grass or similar soft vegetation only. Line can easily wear due to contact with trees, stones, walls, fences etc.

As with the metal blade, grass is cut using sweeping sideways movements keeping the line parallel to the ground, however cutting of vegetation can be achieved around the entire trimming head circumference.

Note: The most effective cutting area shown in figure 13. Be careful not to strike the ground with the trimming head or line as this can cause excessive wear, and damage the lawn surface. This can also lead to unintentional release of nylon line due to the 'Tap n 'Go mechanism. Check the nylon line regularly and adjust if necessary.

This machine is fitted with a tap'n'go cutting spool. To release more line, while the head is rotating gently tap button (1.3) on solid ground. The line will automatically be advanced and the diameter trimmed to give an even cut.

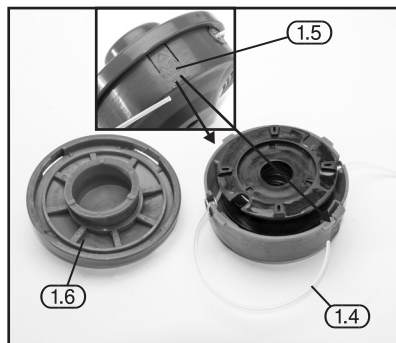
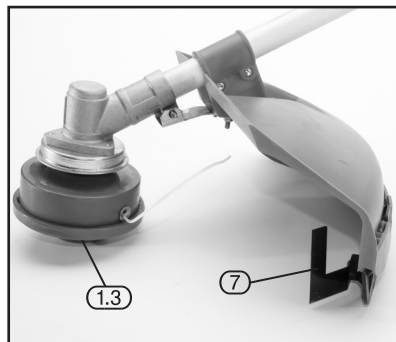
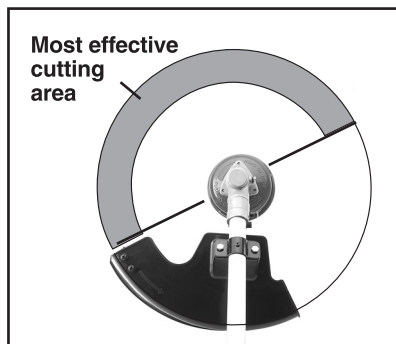
Note: Care should be taken not to release too much line as wastage and possible guard damage can occur. Small amounts of excess line will be removed by the blade (7) fitted to the underside of the guard. Should the line not be correctly released, manual adjustment should be made.

Note: Ensure the engine is switched off and the cutting means stopped before attempting to carry out this adjustment. To remove the spool from the machine, press the sides of the spool body (1.5) as indicated to release the spool cap (1.6). If more line is required, simply pull both protruding ends (1.4).

If there is excess line, turn the tap'n'go button clockwise to retract as required. As a guide, the max. line length is approx. 15cm.

Note: Ensure the function of the tap'n'go spool is correct before restarting the machine.

The cutting means are affected by general wear and tear and as such are considered consumable items.



10. MAINTENANCE & TROUBLESHOOTING

Warning: Do not carry out repairs on this machine if you are not qualified to do so with the exemption of the items listed in this maintenance section.

10.1 CARBURETTOR ADJUSTMENT

Warning: During this operation the cutting means will be moving. Observe all necessary safety precautions.

Note: The cutting means MUST NOT move while the engine is at idle speed.

The carburettor has been set at standard values during manufacture. Adjustments to these values may be required if the cutting means moves at idle or the machine will not idle. To adjust, start the engine and idle to warm up. If the engine stalls, the idle speed is too slow, if the cutting means moves the idle speed is too fast. Using a plain slot screwdriver, turn adjustment screw (15.1) clockwise to increase idle speed or anti-clockwise to decrease.

Stop the engine, allow to cool and disconnect the spark plug ignition lead before carrying out maintenance or adjustment on this machine.

10.2 AIR FILTER

A clogged air filter both reduces the efficiency of the engine and cutting, but also increases fuel consumption. Remove air filter cover (AH) by unscrewing knob (AI). Lift off cover being careful of the choke lever and locating tabs.

Remove the air filter and clean in warm soapy water. Allow to dry completely before refitting. Always replace the filter if it is damaged or when dirt cannot be washed out.

10.3 SPARK PLUG

The spark plug should be replaced annually or when the brush cutter has problems starting.

Unscrew and remove the spark plug cover to reveal the spark plug.

Carefully pull off the spark plug HT lead.

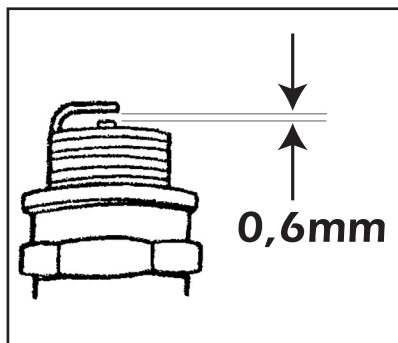
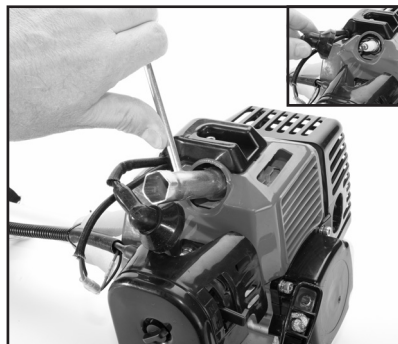
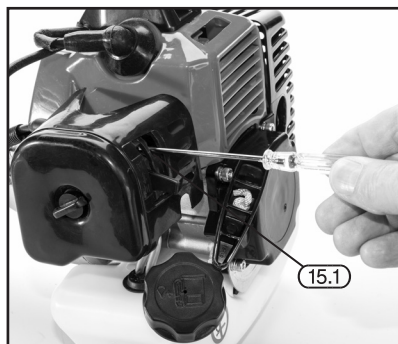
Using the box spanner supplied unscrew the plug anti-clockwise.

Note: Ensure the spark plug has the correct heat range for this machine.

If the electrodes are excessively soiled or are very worn, replace with a suitable equivalent plug.

Excessive soiling can be due to the ratio of oil to fuel is too high. Or not the appropriate type or the air filter is partially clogged.

Note: The spark plug gap should be 0.6mm. Use feeler gauge to check the gap.



10. MAINTENANCE & TROUBLESHOOTING

DANGER! In order to maintain the original safety features, do not make any changes to the machine. In case of repairs, only use genuine spare parts.

Before each use, check that there are no loose or damaged parts or screws and that there are no cracks or signs of wear on the cutting blades.

Replace the damaged parts at an authorised service centre before using the machine.

10.4 CLEANING, TRANSPORT & STORAGE

Note: Stop the engine and allow to cool before cleaning, transporting or storing the machine.

Clean the unit after each use. Only use a mild detergent and sponge on plastic surfaces. Do not use aggressive cleaning agents.

Separation of fuel can lead to acids forming during storage. In order to avoid engine problems empty fuel system if storing for longer than 30 days. Empty the fuel tank, start the engine and allow to run until it stops. Ensure fresh fuel is used next season. Never use engine or carburettor cleaning products in the fuel tank as permanent damage may occur.

To prevent starting/running problems after storage, lay the machine horizontally with the fuel tank on the underside.

Do not store the machine or fuel in an enclosed area where fuel vapours can reach sparks or flame from switches, heaters, electric motors etc.

Store in a safe area out of the reach of children.

WARNING: ALWAYS STOP THE UNIT AND DISCONNECT THE SPARK PLUG PRIOR TO PERFORMING ANY OF THE REMEDIES, EXCEPT WHERE THE REMEDY REQUIRES THE ENGINE TO BE RUNNING.

PROBLEM.	PROBABLE CAUSE.	REMEDY SUGGESTED
Engine will not start or only runs for a few seconds..	<ol style="list-style-type: none">1. Fuel tank empty.2. No fuel reaching carburettor3. Engine flooded4. Stop switch off.5. Spark plug.	<ol style="list-style-type: none">1. Fill with correct fuel/oil mixture.2. Check for a dirty fuel filter; clean or replace. Check for damage to fuel line.3. Wait a few minutes then attempt to start as if engine was warm.4. Move stop switch to on position.5. Clean or replace spark plug.
Engine does not idle correctly.	<ol style="list-style-type: none">1. Carburettor requires adjusting.2. Other.	<ol style="list-style-type: none">1. Adjust carburettor idle.2. Contact authorised service agent.
Engine stutters, lacks power or stalls under load.	<ol style="list-style-type: none">1. Spark plug soiled.2. Air filter dirty.3. Carburettor requires adjusting.	<ol style="list-style-type: none">1. Clean and re-gap or replace.2. Clean or replace air filter.3. Contact authorised service agent.
Excessive engine smoke.	<ol style="list-style-type: none">1. Too much oil mixed with unleaded fuel.	<ol style="list-style-type: none">1. Empty fuel tank and refill with correct oil/fuel mixture.
Cutting means moves while engine at idle speed.	<ol style="list-style-type: none">1. Carburettor requires adjusting.2. Clutch fault.	<ol style="list-style-type: none">1. Adjust carburettor idle.2. Contact authorised service agent.

Important: Please note all repairs/service should be carried out by an authorised service agent.

11. OPTIONAL ACCESSORIES

ITEM	STOCK No.	PART No.
3-tooth metal blade Line trimming head	85279 17772	AGTP33-BLD AGTP32-84

12. EXPLANATION OF SYMBOLS

12.1 EXPLANATION OF SYMBOLS



Single value noise marking.
(Maximum declared
A-Weighted sound power level
in decibels).



Warning!
Wear suitable foot protection.



Warning!
Wear suitable eye/face protection.



Danger!
Beware of sharp blades.



Warning!
Read the instruction manual.



Danger!
Risk of flying debris.



Warning!
Keep bystanders away.



Warning!
Risk of danger to wildlife.

13. DISPOSAL

13.1 DISPOSAL

- At the end of the machine's working life, or when it can no longer be repaired, ensure that it is disposed of according to national regulations.
- Contact your local authority for details of collection schemes in your area.

In all circumstances:

- Do not dispose with domestic waste.
- Do not incinerate.
- Do not abandon in the environment.
- When decommissioning remove all subsidiary fluids for appropriate disposal.

CONTACTS

Draper Tools Limited, Hursley Road,
Chandler's Ford, Eastleigh, Hampshire. SO53 1YF. U.K.

Delta International BV, Oude Graaf 8, 6002 NL, Weert, Netherlands

Helpline: (023) 8049 4344

Sales Desk: (023) 8049 4333

Internet: drapertools.com

E-mail: sales@drapertools.com

General Enquiries: (023) 8026 6355

Service/Warranty Repair Agent:

For aftersales servicing or warranty repairs, please contact the
Draper Tools Helpline for details of an agent in your local area.

YOUR DRAPER STOCKIST

KCMC0244

©Published by Draper Tools Limited.

No part of this publication may be reproduced, stored in a retrieval system or transmitted in any form or by any means, electronic, mechanical photocopying, recording or otherwise without prior permission in writing from Draper Tools Ltd.