

EN

Original Instructions

Version 1

DRAPER[®]

2200W

DUST EXTRACTOR

80947



WARNING!

Read this manual in full before attempting to use this machine.



UK
CA **CE**

1. Preface

These are the original product instructions. This document is part of the product; retain it for the life of the product, passing it on to subsequent holders. Read this manual in full before attempting to assemble, operate, or maintain this product.

This Draper Tools manual describes the purpose of the product and contains all the necessary information to ensure its correct and safe use. Following all the instructions and guidance in this manual will ensure the safety of both the product and the operator and increase the lifespan of the product.

All photographs and drawings within this manual are supplied by Draper Tools to help illustrate correct operation of the product.

Every effort has been made to ensure the information contained in this manual is accurate. However, Draper Tools reserves the right to amend this document without prior warning. Always use the latest version of the product manual.

1.1 Product Reference

User Manual for: 2200W Dust Extractor

Stock No: 80947

Part No: DE2200

1.2 Revisions

Version 1: June 2015

First release

Version 1.1: June 2022

General revisions and updates

As our manuals are continually updated, always ensure that the latest version is used.

Download the latest version from:

drapertools.com/manuals

1.3 Understanding the Safety Content



WARNING! – Situations or actions that may result in personal injury or death.



CAUTION! Situations or actions that may result in damage to the product or surroundings.

Important – Information or instructions of particular importance.

1.4 Copyright © Notice

Copyright © Draper Tools Limited.

Permission is granted to reproduce this manual for personal and educational use **ONLY**. Commercial copying, redistribution, hiring, or lending is strictly prohibited.

No part of this manual may be stored in a retrieval system or transmitted in any other form or means without written permission from Draper Tools Limited.

In all cases, this copyright notice must remain intact.

| | |
|--|----|
| 1. Preface | 2 |
| 1.1 Product Reference | 2 |
| 1.2 Revisions | 2 |
| 1.3 Understanding the Safety Content | 2 |
| 1.4 Copyright © Notice | 2 |
| 2. Contents | 3 |
| 3. Warranty | 4 |
| 4. Product Introduction | 5 |
| 4.1 Scope | 5 |
| 4.2 Specification | 5 |
| 5. Health and Safety Information | 6 |
| 5.1 General Health and Safety Instructions | 6 |
| 5.2 Additional Safety Instructions for this Dust Extractor | 6 |
| 5.3 Connection to the Power Supply | 7 |
| 6. Identification and Unpacking | 8 |
| 6.1 Product Overview | 8 |
| 6.2 What's in the Box? | 9 |
| 6.3 Packaging | 9 |
| 7. Assembling the Dust Extractor | 10 |
| 8. Operating Instructions | 13 |
| 8.1 Preparing the Dust Extractor | 13 |
| 8.2 No-Volt On/Off Switch | 13 |
| 8.3 Emptying the Collection Bag | 13 |
| 9. Maintenance | 14 |
| 10. Disposal | 15 |
| 11. Explanation of Symbols | 16 |

3. Warranty

Draper Tools products are carefully tested and inspected before shipment and are guaranteed to be free from defective materials and workmanship.

Should the tool develop a fault, return the complete tool to your nearest distributor or contact Draper Tools directly. Contact information can be found at the back of this manual.

Proof of purchase must be provided.

If, upon inspection, it is found that the fault occurring is due to defective materials or workmanship, repairs will be carried out free of charge. This warranty period covers parts and labour for 12 months from the date of purchase. Where tools have been hired out, the warranty period covers 90 days from the date of purchase.

This warranty does not apply to any consumable parts, batteries or normal wear and tear, nor does it cover any damage caused by misuse, careless or unsafe handling, alterations, accidents, or repairs attempted or made by any personnel other than the authorised Draper Tools repair agent.

In all cases, to make a claim for faulty workmanship or materials within the standard warranty period, please contact or return the product to the place of purchase. Proof of purchase may be required.

If the place of purchase is no longer trading or if you experience any difficulties with your warranty, please contact Customer Services with the product details and your proof of purchase. Contact details can be found at the back of this manual.

If the tool is not covered by the terms of this warranty, repairs and carriage charges will be quoted and charged accordingly.

This warranty supersedes any other guarantees expressed or implied and variations of its terms are not authorised.

Your Draper Tools guarantee is not effective until you can produce, upon request, a dated receipt or invoice to verify your purchase within the guarantee period.

Please note that this warranty is an additional benefit and does not affect your statutory rights.

Draper Tools Limited

4.1 Scope

This product is intended for removing wood dust from woodworking tools, or for extracting airborne wood dust from the environment, and is suitable for regular use by enthusiasts and tradespersons alike. Any other application beyond the conditions established for use will be considered misuse. Draper Tools accepts no responsibility for improper use of this product.

4.2 Specification

| | |
|----------------------------|----------------------------------|
| Stock No. | 80947 |
| Part No. | DE2200 |
| Voltage | 230V~50Hz |
| Power cable rating | 16A |
| Motor | 2,200W (3hp) |
| Airflow | 65m ³ /min (2,300cfm) |
| Filtration | 5 micron (bag type) |
| Intake diameter | 100mm x 3 |
| Bag dimensions | H 850 x Ø 500mm |
| Noise emissions: | |
| Sound pressure level (LPA) | 81dB(A) |
| Sound power level (LWA) | 98dB(A) |
| Vibration level | <2.5m/s ² |
| Weight | 47kg |

Important: The declared vibration total values and noise emissions values have been measured in accordance with a standard test method and may be used for comparing one tool with another. These values may also be used in a preliminary assessment of exposure.

Important: This product is supplied with a 16A power cable **WITHOUT** plug. It must be wired to a suitable plug or power supply by a qualified electrician before use.



WARNING! This product is not a toy and must be respected.

Read this manual in full before attempting to assemble, operate or maintain the product, and retain it for later use.




WARNING! The vibration and noise emissions during actual use of the product can differ from the declared values depending on the mode selected and the workpiece upon which it is used. Before each use, estimate the likely exposure resulting from the actual conditions of use. Take into account all parts of the operation cycle in order to identify any safety measures required to protect the operator.

 **WARNING! Read all safety warnings, instructions, illustrations and specifications provided with this machine.** Failure to follow all instructions listed below may result in electric shock, fire and/or serious injury.

5.1 General Health and Safety Instructions

Important: Local regulations may restrict the age of the operator.


- Observe all standard safety precautions and good practices when working in a workshop environment.
- Keep your work environment clear and well-lit, with bystanders at a safe distance.
- **ONLY** adequately trained and authorised personnel may operate this machine.
 - This machine is **NOT** intended for use by persons (including children) with reduced physical, sensory or mental capabilities, or lack of experience and knowledge.
 - Children should be supervised to ensure that they do not play with the appliance.
- Use the product only in the manner instructed in this manual.
- **DO NOT** modify this product in any way.
- **ONLY** use spare parts supplied by Draper Tools.
- This product is shipped with a 16A power cable **WITHOUT** plug.
 - The power cable **MUST** be fitted to a suitable plug or power supply by a qualified electrician before use.
- Check the product for broken, worn or loose parts before every use.

 **WARNING! DO NOT use the product if any part of the machine is damaged. Have it repaired immediately by approved and suitably qualified personnel. If the supply cord is damaged, it must be replaced by Draper Tools, its service agent or similarly qualified persons in order to avoid a hazard.**

- **ALWAYS** wear eye protection and an approved dust mask while using and maintaining this machine.
- **ALWAYS** wear ear defenders while using this machine.

- This is a Class I appliance.
 - To reduce the risk of electric shock, avoid contact with earthed objects during use (see **5.3 Connection to the Power Supply**).
- **DO NOT** expose this machine to water or wet environments.
- **NEVER** leave this machine running unattended. **ALWAYS** switch the machine off and disconnect the mains power before walking away.
- **ALWAYS** ensure that the machine is switched off, disconnected from the mains supply and has completely stopped before moving or maintaining the product.
- **DO NOT** unplug the machine by pulling on the cable.
- Maintain and clean the tool frequently and thoroughly to ensure a long lifespan for the product.
- This product must be repaired **ONLY** by suitably qualified personnel authorised to do so by Draper Tools.
- Read and understand all Health and Safety guidance and instructions associated with the tools to which this machine will be connected.

5.2 Additional Safety Instructions for this Dust Extractor

 **WARNING! The motor duct contains a high-speed fan blade that can severely injure, snag loose clothing and propel dust at high velocities. DO NOT operate the machine until it is fully assembled.**

- This machine is intended for dry use **ONLY**.
- This machine is intended for indoor use **ONLY**.
- **DO NOT** use the machine in environments in which flammable materials, including vapours, may be present.
- The risk of static shock is increased in dry or low-humidity environments.
- **DO NOT** use the machine to extract any materials that may be hazardous, exceedingly hot or burning.
- Use this product **ONLY** on a firm, level surface.
- Keep all loose or trailing cables tidy and away from walkways.
- Once assembled, this product should be transported using its on-board castors.
 - **DO NOT** attempt to lift or carry this machine when it is fully assembled.

Important: If this dust extractor is used to reduce airborne wood dust, the wood dust levels must be regularly monitored and the machine must be emptied and maintained with a higher frequency than is required for normal use. Maintain the product as frequently as is required for the work.

5.3 Connection to the Power Supply

CAUTION! Risk of electric shock. Do not open!

Important: This product is supplied with a 16A power cable **WITHOUT** plug. It must be wired to a suitable plug or power supply by a qualified electrician before use. Instructions for connection are attached to the cable.

ALWAYS ensure that the power supply information on the device's ratings plate are compatible with the intended power supply.

This product is Class I* and is designed for connection to a power supply matching that detailed on the rating label and compatible with the plug fitted.

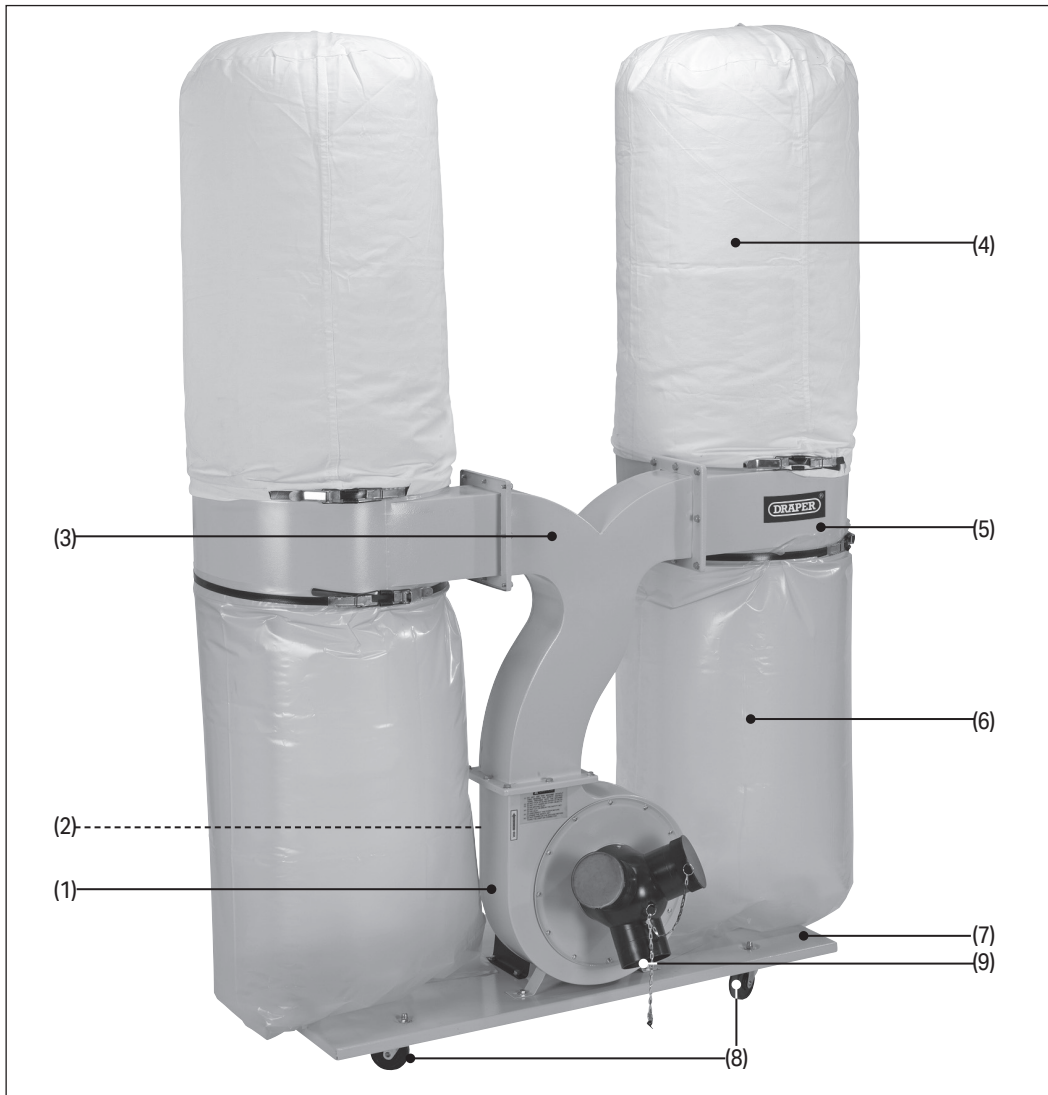
If an extension lead is required, use an approved and compatible lead rated for this appliance.

Follow all the instructions supplied with the extension lead.

***Earthed:** This product requires an earth connection to protect against electric shock from accessible conductive parts in the event of a failure of the basic insulation.

Important: If using an extension lead, follow the instructions that came with your lead regarding maximum load while the cable is wound. If in doubt, ensure that the entire cable is unwound. Using a coiled extension lead will generate heat which could melt the lead and cause a fire.

6.1 Product Overview



- (1) Motor/ducting unit
- (2) No-volt on/off switch
- (3) Extraction chute
- (4) Filter bag

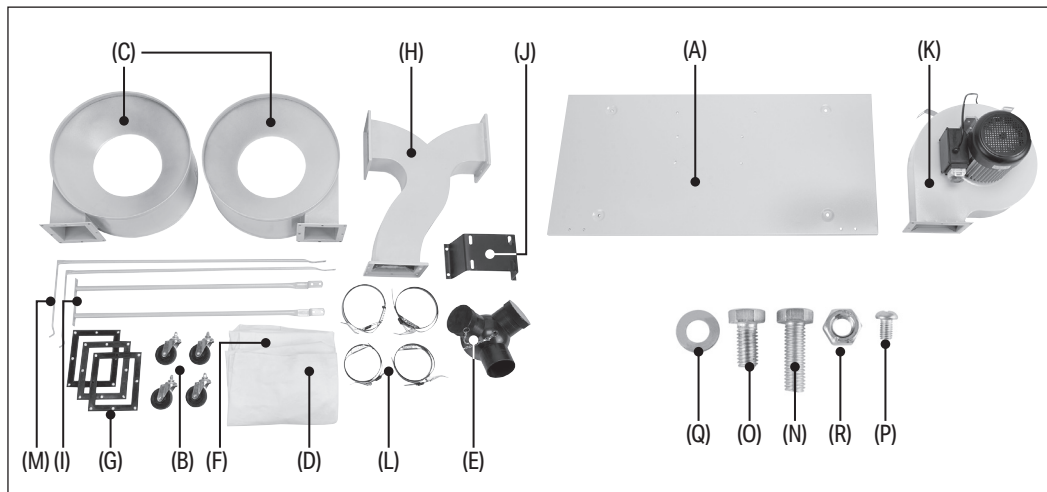
- (5) Collection bag duct
- (6) Collection bag
- (7) Base
- (8) Castors (x4)
- (9) Extractor inlet

6. Identification and Unpacking

6.2 What's in the Box?

Carefully remove the product from the packaging and examine it for any signs of damage that may have occurred during shipment.

Before assembling the product, lay the contents out and check them against the parts shown below. If any part is damaged or missing, do not attempt to use the product. Please contact the Draper Helpline; contact details can be found at the back of this manual.



- (A) 1 x Base plate
- (B) 4 x Castors
 - (B1) 1 x Castor assembly
 - (B2) 1 x M8 washer (thin)
 - (B3) 1 x M8 washer (thick)
 - (B4) 1 x M8 dome nut
- (C) 2 x Collection bag ducts
- (D) 2 x Collection bags (clear)
- (E) 1 x Extractor inlet
- (F) 2 x Filter bags (white)
- (G) 3 x Gaskets
- (H) 1 x Extraction chute
- (I) 2 x Lower support rods
- (J) 1 x Motor support
- (K) 1 x Motor/ducting unit
- (L) 4 x Straps
- (M) 2 x Upper support rods
- (N) 4 x M8 x 25mm bolts
- (O) 38 x M8 x 16mm bolts
- (P) 1 x M5 x 8mm screw (pre-installed)
- (Q) 46 x M8 washers
- (R) 4 x M8 nuts
- (S) 1 x Hex key (not shown)

6.3 Packaging

Keep the product packaging for the duration of the warranty period for reference should the product need to be returned for repair.



WARNING! Keep packaging materials out of reach of children. Dispose of packaging correctly and responsibly and in accordance with local regulations.

Please visit drapertools.com for our full range of accessories and consumables.

7. Assembling the Dust Extractor

Important: Before use, read and understand all the safety instructions listed in this manual.

WARNING! DO NOT connect the product to a power supply until it is fully assembled.

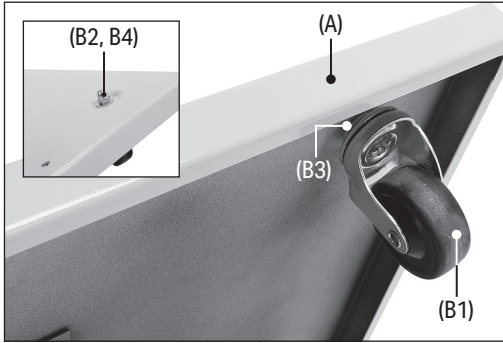


Fig. 1

1. Attach the castors to the base plate (Fig. 1):
 - a. Pass each of the castor assembly (B1) bolts through its thick M8 washer (B3) and up through the sunken holes of the base plate.
 - b. Place a thin M8 washer (B2) onto the each bolt and secure it in place with an M8 dome nut (B4).

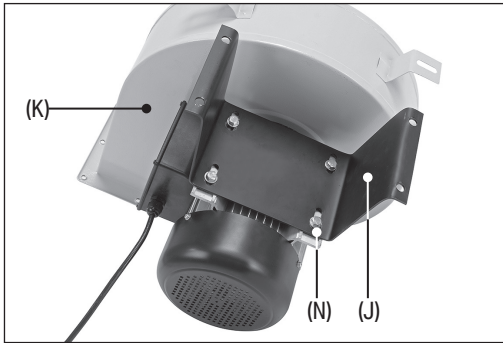


Fig. 2

2. Fix the motor to the motor support:
 - a. Align the holes in the base of the motor/ducting unit (K) and the motor support (J).
 - b. Pass the four M8 x 25mm bolts (N) each through a washer (Q) and up through the underside of the motor support and motor/ducting unit (Fig. 2).
 - c. Secure each bolt with another washer (Q) and an M8 nut (R) (Fig. 3).

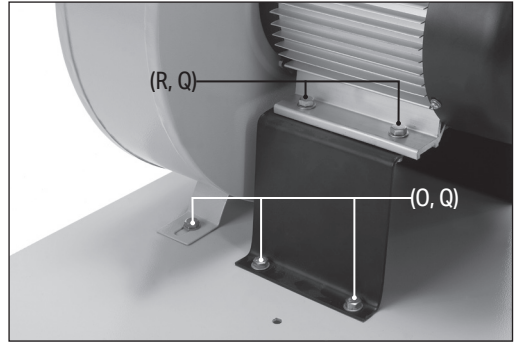


Fig. 3

3. Attach the motor/ducting unit and motor support to the base plate (Fig. 3):
 - a. Align the motor and support assembly with the six holes on the base plate.
 - b. Pass six M8 x 16mm bolts (O) each through a washer (Q) and down through the holes in the motor and support assembly, and tighten them securely. The holes in the base plate are threaded to receive the attaching bolts.

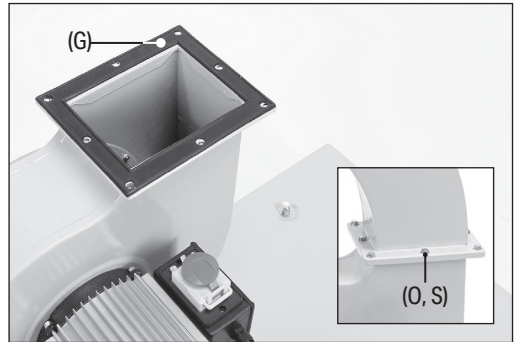


Fig. 4

4. Attach the extraction chute (H) to the ducting unit (Fig. 4):
 - a. Place a gasket (G), ridged side up, and the extraction chute onto the square opening so that the holes align.
Important: The extraction chute should curve back over the ducting unit.
 - b. Pass eight M8 x 16mm bolts (O) each through a washer (Q) and down through the assembly, then tighten them securely.

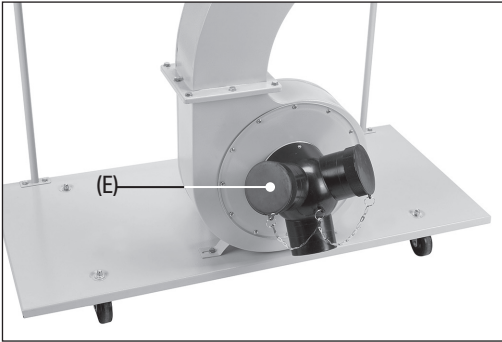


Fig. 5

5. Remove the M5 x 8mm screw (P) from the circular opening on the motor, then use it to attach the extractor inlet (E) (Fig. 5).

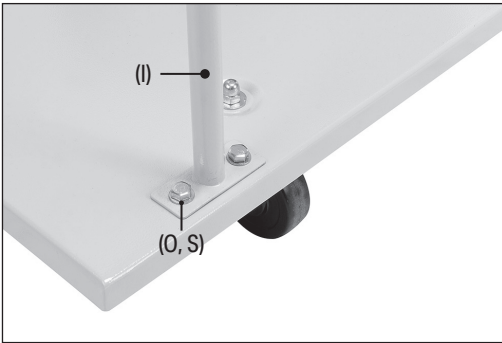


Fig. 6

6. Attach the lower supports to the base plate (Fig. 6):
 - a. With the vertical bracket curving inwards, pass two M8 x 16mm bolts (O) each through a washer (Q) and through the perpendicular bracket of a lower support rod (I).
 - b. Align the lower support rod with two of the remaining holes in the base plate and tighten the bolts to secure it in place.
 - c. Repeat these steps for the second lower support rod.

7. Attach the collection bag ducts and upper support rods:

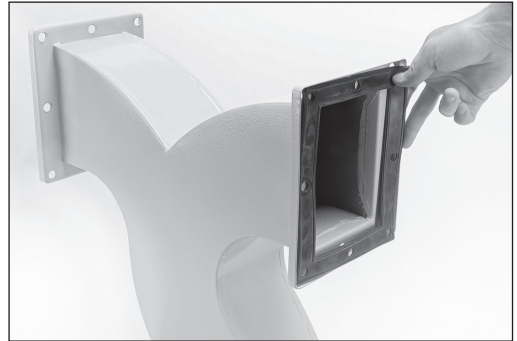


Fig. 7

- a. Place a gasket, ridged side outward, against the lip of one of the extractor chute outlets (Fig. 7).
- b. Identify the collection bag duct (C) that aligns with both the extractor chute outlet and the lower support rod when the rubber strip is located around the lower lip of the duct.

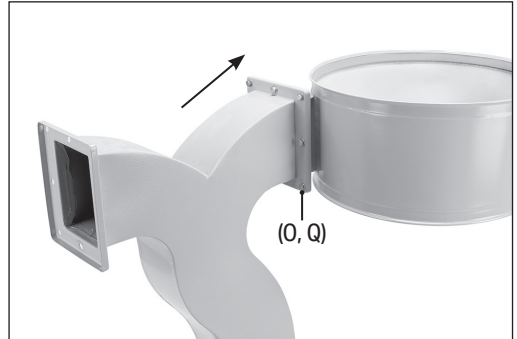


Fig. 8

- c. Pass eight M8 x 16mm bolts (O) each through a washer (Q), then through the extraction chute, gasket and collection bag duct to fix the parts in place (Fig. 8).

Important: Insert the bolts outwards from above the motor/ducting unit so that the threaded parts of the collection bag duct secure the parts in place.
- d. Place an upper support rod (M) against the outer face of the lower support rod so that the holes align and the hook extends over the collection bag duct.

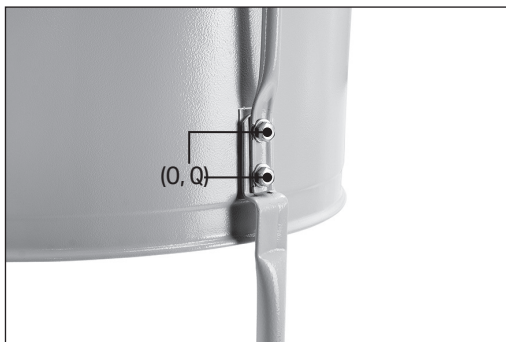


Fig. 9

- e. Pass two M8 x 16mm bolts (O) each through a washer (Q) and secure both support rods to the collection bag duct (Fig. 9).



Fig. 10

- f. Repeat these steps to attach the other collection bag duct and support rods (Fig. 10).
8. Attach the collection and filter bags:
- a. Open a collection bag (D) and slide it up over the lower rim of a collection bag duct (C), using the rubber band to hold it in place.
 - b. Pass a strap (L) around the collection bag duct so that it runs between the duct and the support rods and over the bag and rubber band.



Fig. 11

- c. Hook the strap spring over the toothed end and close the clamp for a tight but comfortable fit against the lower rim of the duct (Fig. 11).



Fig. 12

- d. Pass the toothed end of the other strap around the inside of the seam at the open end of the filter bag (F) (Fig. 12).
- e. Pull the filter bag over the upper rim of the collection bag duct and use the clamp to secure it in place.
- f. Hang the loop on the top of the filter bag over the upper support rod.
- g. Repeat these to attach the remaining bags to the other collection bag duct.

Important: Before use, read and understand all the safety instructions listed in this manual.



WARNING! ALWAYS ensure that the product is switched off and disconnected from the power supply until it is ready to be used.

8.1 Preparing the Dust Extractor

Before switching on the product, complete the following steps and checks:

1. Position the dust extractor within 5m of the tools to which it will be connected.

2. Connect up to three tools to the extractor inlet (E) using a 100mm Ø hose (not supplied).

Important: If fewer than three tools are connected, place the inlet caps supplied over the unused holes of the extractor inlet.

3. Check that the collection bags (D) and filter bags (F) are securely attached and not overfilled or clogged.

4. Check that any suction hoses attached to the extractor inlet (E) are securely clamped in place.

5. Connect the mains power cable to a power supply.

8.2 No-Volt On/Off Switch



Fig. 13

The dust extractor is equipped with a no-volt on/off switch (2) (Fig. 13).

In the event of a power supply disruption, the machine will require manually restarting once power has been returned.

- To switch the extractor on, open the yellow switch cover and press the **GREEN** (I) button.
- To switch the extractor off, open the yellow switch cover and press the **RED** (O) button.

Important: **ALWAYS** switch off the machine using the no-volt switch. **NEVER** use the mains power switch to turn off the machine. **ALWAYS** keep the switch covered when the product is not in use.

8.3 Emptying the Collection Bags

The collection bags (D) should be emptied as they approach capacity.

Important: **DO NOT** allow the collection bags to become completely full as this may cause blockages in the collection bag ducts (C) and motor (K).

To empty or replace the collection bags:

1. Gently tap around the collection bag duct to release any dust that has settled inside it.
2. Release the clamp on the strap (L) around the top of the collection bag, unhook the spring and loosen the strap.
3. Carefully slide the bag away from the collection bag duct and dispose of the dust content.
Important: Recycle or dispose of any dust waste in accordance with local regulations.
4. Replace the bag and reattach the strap to secure it in place.

Important: This machine is not suitable for fine or hazardous dust such as medium density fibreboard (MDF).

Important: ALWAYS ensure that the dust extractor is switched off, disconnected from the power supply and has come to a complete stop before attempting to maintain or repair this product. Maintenance and repair should only be carried out by authorised and suitably qualified personnel.



WARNING! ALWAYS wear a dust mask while maintaining this product.

- Keep all fixings tightly secured to prevent wear caused by excessive movement.
- Clean the inlets, outlets, hoses and bags after prolonged use or if the machine will not be used for an extended period of time.
- Clean the product with a dry cloth **ONLY**.
- Remove excess dust from the filter bags by shaking them out in an outdoor environment.
 - A thin layer of dust inside the filter bag helps to prevent smaller particles from escaping into the work environment.
- Replace the collection and filter bags if they become worn or split.
- **DO NOT** allow the supply cord to come into contact with any rotating parts.
- **ONLY** use the socket outlet on the machine for the purposes specified in the instructions.
- **DO NOT** use the hoses on this machine to collect water and **DO NOT** immerse them in water for cleaning.
- Store this product in a clean, dry environment, out of reach of children.

10. Disposal

At the end of its working life, or when it can no longer be repaired, dispose of the product according to local regulations.

Contact your local authority for details of collection schemes in your area.

In all circumstances:

- **DO NOT** dispose of this product with domestic waste
- **DO NOT** dispose of this product in unsorted municipal waste
- **DO NOT** incinerate
- **DO NOT** abandon in the environment
- **ALWAYS** dispose of any waste contents according to local regulations before disposing of this product



11. Explanation of Symbols



Read the instruction manual



Wear face mask and safety glasses



Wear ear defenders



Do not abandon in the environment



Keep out of the reach of children



Warning!



Do not incinerate or throw onto fire



Continuous A-Weighted Sound Pressure Level



Class I appliance



WEEE -

Waste Electrical & Electronic Equipment

Do not dispose of Waste Electrical & Electronic Equipment in with domestic rubbish



UK Conformity Assessed



European Conformity

Contact Details

Draper Tools

Draper Tools Limited

Hursley Road

Chandler's Ford

Eastleigh

Hampshire

SO53 1YF

UK

Website: drapertools.com

Email: sales@drapertools.com

Product Helpline: +44 (0) 23 8049 4344

Telephone Sales Desk: +44 (0) 23 8049 4333

General Enquiries: +44 (0) 23 8026 6355

General Fax: +44 (0) 23 8026 0784

Delta International

Delta International BV

Oude Graaf 8

6002 NL

Weert

Netherlands

Service / Warranty Repair Agents

For aftersales servicing or warranty repairs, please contact the Draper Tools Product Helpline for details of an agent in your area.