



MOBILE EXTENDING MITRE SAW **STAND**

90249



These instructions accompanying the product are the original instructions. This document is part of the product, keep it for the life of the product passing it on to any subsequent holder of the product. Read all these instructions before assembling, operating or maintaining this product.

This manual has been compiled by Draper Tools describing the purpose for which the product has been designed, and contains all the necessary information to ensure its correct and safe use. By following all the general safety instructions contained in this manual, it will ensure both product and operator safety, together with longer life of the product itself.

All photographs and drawings in this manual are supplied by Draper Tools to help illustrate the operation of the product.

Whilst every effort has been made to ensure the accuracy of information contained in this manual, the Draper Tools policy of continuous improvement determines the right to make modifications without prior warning.

1. TITLE PAGE

1.1 INTRODUCTION:

USER MANUAL FOR: Mobile Extending Mitre Saw Stand

Stock No: 90249

Part No: MSSM168D

1.2 REVISIONS:

Date first published March 2019.

Date first revised October 2024.

As our user manuals are continually updated, users should make sure that they use the very latest version.

Downloads are available from: <http://drapertools.com/manuals>

Draper Tools Limited	Delta International
Hursley Road	Oude Graaf 8
Chandler's Ford	6002 NL
Eastleigh	Weert
Hampshire	Netherlands
SO53 1YF	
UK	

Website: drapertools.com

Product help line: +44 (0) 23 8049 4344

General Fax: +44 (0) 23 8026 0784

1.3 UNDERSTANDING THIS MANUALS SAFETY CONTENT:

WARNING! – Information that draws attention to the risk of injury or death.

CAUTION! – Information that draws attention to the risk of damage to the product or surroundings.

1.4 COPYRIGHT © NOTICE:

Copyright © Draper Tools Limited.

Permission is granted to reproduce this publication for personal and educational use only. Commercial copying, redistribution, hiring or lending is prohibited.

No part of this publication may be stored in a retrieval system or transmitted in any other form or means without written permission from Draper Tools Limited.

In all cases this copyright notice must remain intact.

2. CONTENTS

1	TITLE PAGE	
1.1	INTRODUCTION	2
1.2	REVISION HISTORY	2
1.3	UNDERSTANDING THIS MANUAL	2
1.4	COPYRIGHT NOTICE.....	2
2	CONTENTS	
2.1	CONTENTS.....	3
3	WARRANTY	
3.1	WARRANTY.....	4
4	INTRODUCTION	
4.1	SCOPE	5
4.2	SPECIFICATION	5
4.3	HANDLING AND STORAGE	5
5	HEALTH AND SAFETY INFORMATION	
5.1	GENERAL SAFETY INSTRUCTIONS FOR MITRE SAW STANDS	6
6	TECHNICAL DESCRIPTION	
6.1	IDENTIFICATION	8
7	UNPACKING AND CHECKING	
7.1	PACKAGING	9
7.2	WHAT'S IN THE BOX.....	9
8	ASSEMBLING THE MITRE SAW STAND	
8.1	ASSEMBLE TRANSPORT HANDLE.....	10
8.2	UNFOLD THE WORK LEGS.....	10
8.3	ASSEMBLE WHEELS	11
8.4	ASSEMBLE SUPPORT ROLLERS	11
8.5	MOUNTING A MITRE SAW	12
9	OPERATION	
9.1	ROLLER BARS/EXTENSION BAR ADJUSTMENT	14
9.2	MATERIAL SUPPORTS	14
9.3	TOOL TRAYS	14
9.4	TRANSPORTATION.....	15
10	MAINTENANCE AND TROUBLESHOOTING	
10.1	GENERAL MAINTENANCE	16
11	OPTIONAL ACCESSORIES	
11.1	OPTIONAL ACCESSORIES.....	17
12	DISPOSAL	
12.1	DISPOSAL.....	18
13	EXPLANATION OF SYMBOLS	
13.1	EXPLANATION OF SYMBOLS	19

3. WARRANTY

3.1 WARRANTY

Draper tools have been carefully tested and inspected before shipment and are guaranteed to be free from defective materials and workmanship.

Should the tool develop a fault, please return the complete tool to your nearest distributor or contact

Draper Tools Limited, Chandler's Ford, Eastleigh, Hampshire, SO53 1YF. England.

Telephone Sales Desk: (023) 8049 4333 or Product Help Line (023) 8049 4344.

A proof of purchase **must** be provided with the tool.

If upon inspection it is found that the fault occurring is due to defective materials or workmanship, repairs will be carried out free of charge. This warranty period covering labour is 12 months from the date of purchase except where tools are hired out when the warranty period is 90 days from the date of purchase. The warranty is extended to 24 months for parts only. This warranty does not apply to any consumable parts, any type of battery or normal wear and tear, nor does it cover any damage caused by misuse, careless or unsafe handling, alterations, accidents, or repairs attempted or made by any personnel other than the authorised Draper warranty repair agent.

Note: If the tool is found not to be within the terms of warranty, repairs and carriage charges will be quoted and made accordingly.

This warranty applies in lieu of any other warranty expressed or implied and variations of its terms are not authorised.

Your Draper warranty is not effective unless you can produce upon request a dated receipt or invoice to verify your proof of purchase within the warranty period.

Please note that this warranty is an additional benefit and does not affect your statutory rights.

Draper Tools Limited.

4. INTRODUCTION

4.1 SCOPE

Lightweight, portable workstation offering strong workpiece support. Compatible with most makes of mitre saw. This model has the added benefit of transport wheels, allowing the stand to be transported with a mitre saw in-situ.

Any application other than that it was intended for, is considered misuse.

4.2 SPECIFICATION

Stock No.....	90249
Part No	MSSM168D
Extending beam lengths:.....	1067 – 1657mm
Max. Height:	
To beam:.....	775mm
To extending rollers:	845 – 955mm
Max width:	700mm
Max. Load capacity:	150kg
Product weight (nett):	13.3kg

4.3 HANDLING AND STORAGE

- Care must be taken when handling this product.
 - This product is not a toy and must be respected.
- Environmental conditions can have a detrimental effect on this product if neglected.
 - Exposure to damp air can gradually corrode components.
 - If the product is unprotected from dust and debris, components will become clogged.
 - If not cleaned and maintained correctly or regularly, the product will not perform at its best.

5. HEALTH AND SAFETY INFORMATION

5.1 GENERAL SAFETY INSTRUCTIONS FOR MITRE SAW STANDS

When using this product in conjunction with a mitre saw there are steps that should be taken to make sure that you, as the user, remain safe:

- Before use, read and fully understand the appropriate instruction documentation supplied with the mitre saw, paying particular attention to relevant health and safety information. If you have any doubts or concerns regarding your ability to safely use the tool, **do not proceed!**
- Most importantly, you must know how to safely start and stop the mitre saw, especially in an emergency.
- Always keep machine guards in place and make sure that they are in good working order, properly adjusted and in alignment.
- Always keep your hands away from the cutting area.
- Common sense and a respect for the tool will help reduce the risk of injury.

Read this instruction manual fully. Do not attempt assembly or any operation until you have read and understood this manual.

Do not overload the mitre saw stand. The maximum safe weight is limited at 150kg (330lbs).

Be sure all locking pins are in the set up position holes before using the mitre saw and stand.

Always firmly attach any mitre saw used in conjunction with the stand. Never attempt to use the mitre saw until it is firmly fastened to the stand.

Be aware of the stability of the stand. When a large piece of timber is cut from one end, the remaining piece may be heavy enough to tip the stand. Always ensure the workpiece is well supported.

Keep the work area tidy and clean. Attempting to clear clutter from around the machine during use will reduce your concentration. Mess on the floor creates a trip hazard. Any liquid spilt on the floor could result in you slipping.

Find a suitable location. The location should provide good natural light or artificial lighting as a replacement. Avoid damp and dusty locations as it will have a negative effect on the machine's performance. If the machine is portable do not expose the tool to rain. In all cases do not operate power tools near any flammable materials.

Keep bystanders away. Children, onlookers and passers by must be restricted from entering the work area for their own protection. The barrier must extend a suitable distance from the tool user.

Unplug and house all power tools that are not in use. A power tool should never be left unattended while connected to the power supply. They must be housed in a suitable location, away locked up and from children. This includes battery chargers.

Dress properly. Loose clothing, long hair and jewellery are all dangerous because they can become entangled in moving machinery. This can also result in parts of body being pulled into the machine. Clothing should be close fitted, with any long hair tied back and jewellery and neck ties removed. Footwear must be fully enclosed and have a non-slip sole.

Wear personal protective equipment (PPE). Dust, noise, vibration and swarf can all be dangerous if not suitably protected against. If the work involving the power tool creates dust or fumes wear a dust mask. Vibration to the hand, caused by operating some tools for longer periods must be protected against. Wear vibration reducing gloves and allow long breaks between uses. Protect against dust and swarf by wearing approved safety goggles or a face shield. These are some of the more common hazards and preventions, however, always find out what hazards are associated with the machine/work process and wear the most suitable protective equipment available.

Do not breathe contaminated air. If the work creates dust or fumes connect the machine (if possible) to an extraction system either locally or remotely. Working outdoors can also help if possible.

5. HEALTH AND SAFETY INFORMATION

Move the machine as instructed. If the machine is hand held, do not carry it by the power supply cable. If the product is heavy, employ a second or third person to help move it safely or use a mechanical device. Always refer to the instructions for the correct method.

Do not overreach. Extending your body too far can result in a loss of balance and you falling. This could be from a height or onto a machine and will result in injury.

Maintain your tools correctly. A well maintained tool will do the job safely. Replace any damaged or missing parts immediately with original parts from the manufacturer. As applicable, keep blades sharp, moving parts clean, oiled or greased, handles clean, and emergency devices working.

Wait for the machine to stop. Unless the machine is fitted with a safety brake, some parts may continue to move due to momentum. Wait for all parts to stop, then unplug it from the power supply before making any adjustments, carrying out maintenance operations or just finishing using the tool.

Remove and check setting tools. Some machinery requires the use of additional tools or keys to set, load or adjust the power tool. Before starting the power tool always check to make certain they have been removed and are safely away from the machine.

Prevent unintentional starting. Before plugging any machine in to the power supply, make sure the switch is in the OFF position. If the machine is portable, do not hold the machine near the switch and take care when putting the machine down, that nothing can operate the switch.

Carefully select an extension lead. Some machines are not suitable for use with extension leads. If the tool is designed for use outdoors, use an extension lead also suitable for that environment. When using an extended lead, select one capable of handling the current (amps) drawn by the machine in use. Fully extend the lead regardless of the distance between the power supply and the tool. Excess current (amps) and a coiled extension lead will both cause the cable to heat up and can result in fire.

Concentrate and stay alert. Distractions are likely to cause an accident. Never operate a power tool if you are under the influence of drugs (prescription or otherwise), including alcohol or if you are feeling tired. Being disorientated will result in an accident.

Have this tool repaired by a qualified person. This tool is designed to conform to the relevant international and local standards and as such should be maintained and repaired by someone qualified, using only original parts supplied by the manufacturer. This will ensure the tool remains safe to use.

6. TECHNICAL DESCRIPTION

6.1 IDENTIFICATION



- ① Support rollers.
- ② Support roller locking knobs.
- ③ Transport wheels.
- ④ Workpiece support.
- ⑤ Legs.
- ⑥ Leg locking levers.
- ⑦ Extending beams.
- ⑧ Extending beam locking knobs.
- ⑨ Mitre saw mounting bracket locking handles.
- ⑩ Transport handle.
- ⑪ Tool trays.
- ⑫ Mitre saw mounting brackets.

7. UNPACKING AND CHECKING

7.1 PACKAGING

Carefully remove the product from the packaging and examine it for any sign of damage that may have happened during shipping. Lay the contents out and check them against the parts shown below. If any part is damaged or missing, please contact the Draper Help Line (the telephone number appears on the Title page) and do not attempt to use the product.

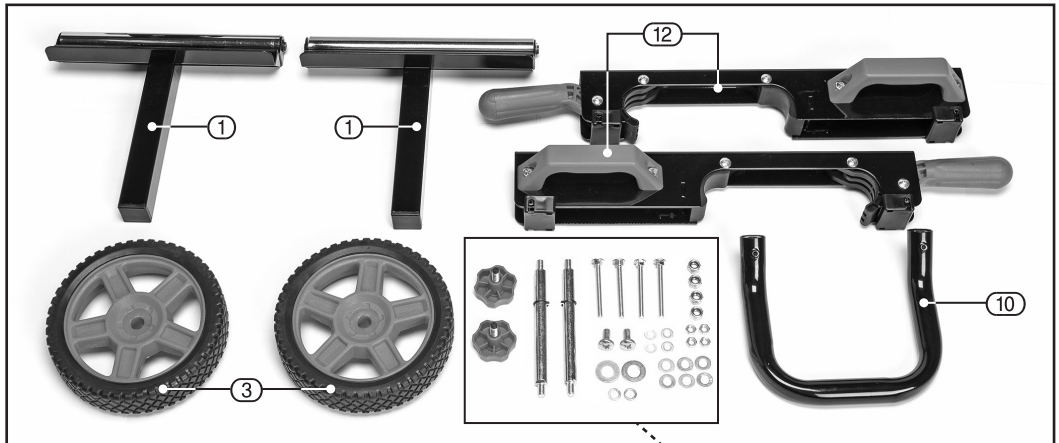
The packaging material should be retained at least during the warranty period, in case the machine needs to be returned for repair.

Warning!

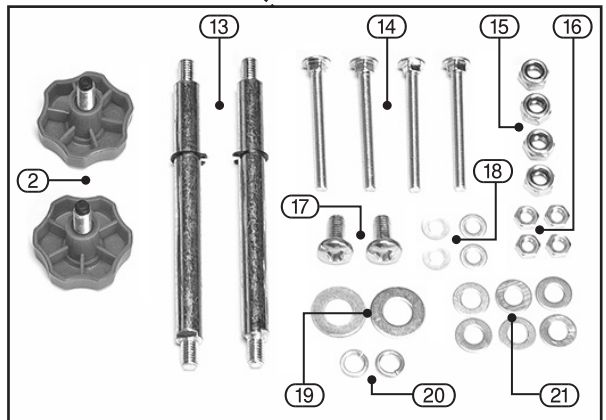
- Some of the packaging materials used may be harmful to children. Do not leave any of these materials in the reach of children.
- If any of the packaging is to be thrown away, make sure they are disposed of correctly, according to your local authority regulations.

7.2 WHAT'S IN THE BOX

As well as the main product, there are several parts not fitted or attached to it, along with a number of fittings required to complete final product assembly.



- ① Support rollers.
- ② Support roller locking knobs × 2.
- ③ Transportation wheels × 2.
- ⑩ Transport handle.
- ⑫ Mitre saw mounting bracket × 2.
- ⑬ Axles × 2.
- ⑭ Mitre saw mounting bolts × 4.
- ⑮ M8 Locking nuts (wheels) × 4.
- ⑯ Mitre saw mounting nuts × 4.
- ⑰ Handle screws × 2.
- ⑱ Mitre saw mounting washers × 4.
- ⑲ Washers Ø12mm (wheels) × 2.
- ⑳ Locking washer (handle) × 2.
- ㉑ Washers Ø8mm (wheels × 4), (handle × 2).



8. ASSEMBLING THE MITRE SAW STAND

The following tools (not included) are required to assemble the mitre saw stand:

- Cross slot screwdriver.
- 13mm wrench or socket.

8.1 ASSEMBLE TRANSPORT HANDLE – FIGS.1 – 2

- Utilising 2 sets of fixings, thread the screws (17) with lock washers (20) and washers (21) in the same order as indicated inset in Fig.1.
- Align the holes in the handle (10) with the holes located at the end of the body of the mitre saw, as shown in Fig.2.
- Use a cross slot screwdriver to fasten the handle to the body with the above 2 sets of fastenings.

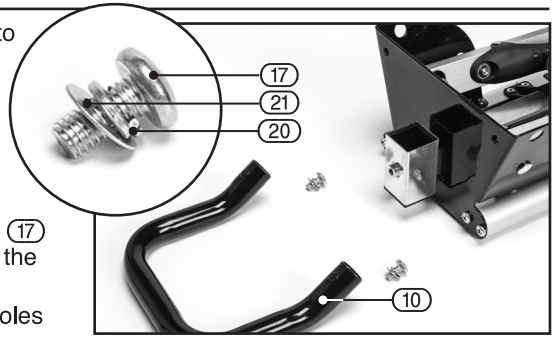


FIG.1

8.2 UNFOLD THE WORK LEGS – FIGS.3 – 4

- Place the mitre saw stand on a flat surface with the folded legs (5) facing up.
- Depress the leg locking lever (6) and rotate the leg until it clicks and locks into the open position.
- Repeat the above steps for the remaining legs.

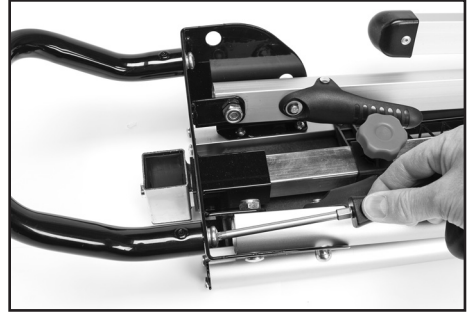


FIG.2

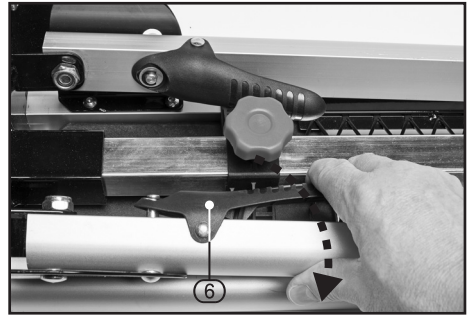


FIG.3

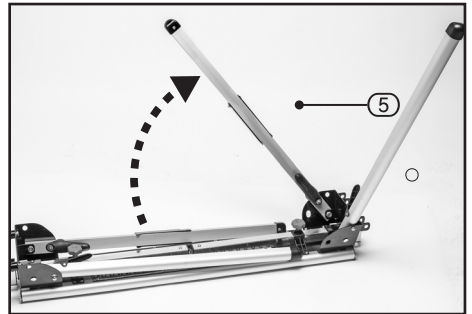


FIG.4

8. ASSEMBLING THE MITRE SAW STAND

8.3 ASSEMBLE WHEELS – FIGS.5 – 7

- Slide the axle (13) through the axle bracket (13.1).
- Turn the axle until the machined end fits into the inside bracket hole.

- Place one small Ø8mm washer (21) and M8 locking nut (15) onto the axle – tighten the nut.

Note: The axle has a retaining ring on one end and is machined to fit the axle bracket hole on the other end. Make sure the machined end is inserted into the axle bracket first.

- Slide one larger Ø12mm washer (19) and then the wheel (17) onto the axle.
- Secure in place with the small Ø8mm washer (21) and M8 locking nut (15).
- Tighten nut.

Note: Raised wheel hub faces inside.

- Repeat the above steps with other wheel.

8.4 ASSEMBLE SUPPORT ROLLERS – FIG.8

- Place the roller arms (1) into the roller bar supports (1.1), slide up and down to the desired location and secure in place with the locking knobs (2).

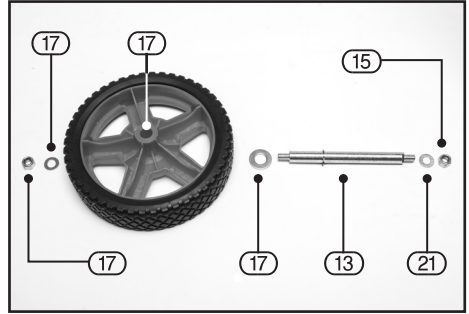


FIG.5

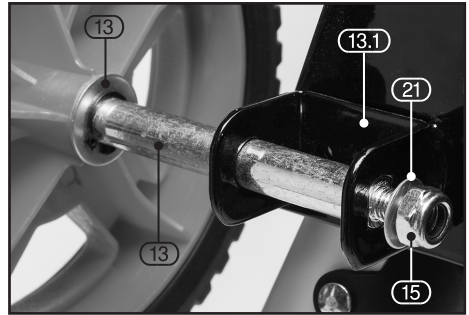


FIG.6

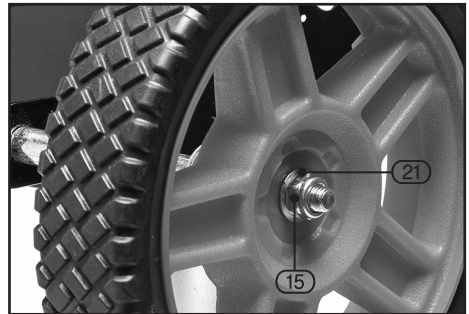


FIG.7

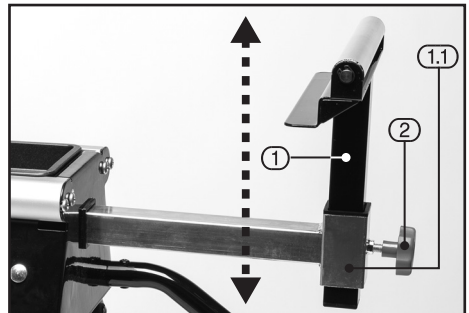


FIG.8

8. ASSEMBLING THE MITRE SAW STAND

8.5 MOUNTING A MITRE SAW – FIGS.9 – 16

Warning! Risk of accidental starting and serious personal injury. Isolate the power source by either removing the power supply plug from the socket, or battery from the tool, before attaching it to the mitre saw stand.

Warning! Risk of serious personal injury. Always make sure the mitre saw is fully supported and that the mitre saw stand is securely placed on a level work surface.

Warning! Do not mount a table saw on this mitre saw stand. Aggressive feeding of sheet materials into a table saw could cause the stand to tip over.

Note: This mitre saw stand is to be used with mitre saws with four mounting holes in a rectangular pattern (inset Fig.13).

- Before fitting the mounting brackets (12) to a mitre saw, firstly determine how easily the mounting brackets can be seated on the mitre saw frame.
- There may be a need to adjust the brackets so that they hook onto the frame without excessive play or tightness, and that the locking levers (12.1) can be applied easily.
- If adjustment is necessary, locate the adjustment screw (12.2) on the underside of the bracket. Use a pair of pliers or spanner to loosen the locking nut (12.3), and then a cross slot screwdriver to turn the adjustment screw.
- Depending on the adjustment required, turn the screw clockwise to tighten the clamping tension, or anti-clockwise, which will loosen the clamping tension (Fig.5).
- When you are happy that the brackets are sitting correctly on the frame, re-tighten the locking nuts on the underside of the brackets and check that the locking levers (12.1) can be activated to secure the brackets safely.

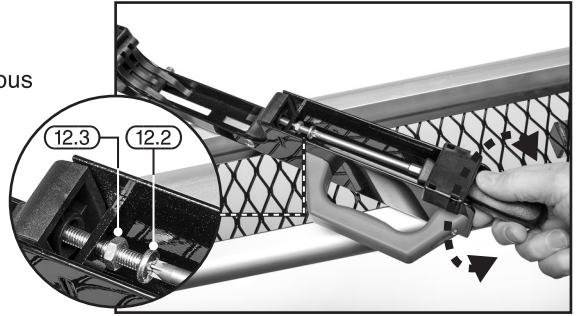


FIG.9

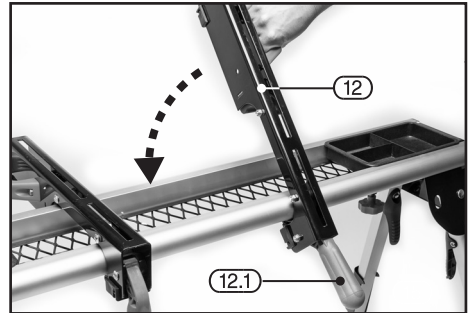


FIG.10

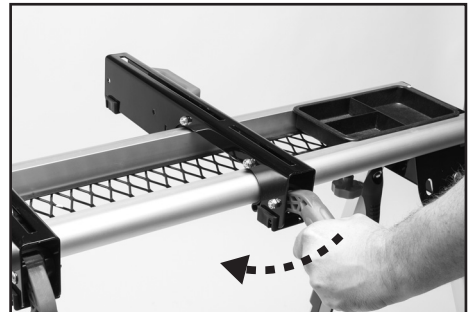


FIG.11



FIG.12

8. ASSEMBLING THE MITRE SAW STAND

- Remove the mounting brackets from the frame and attach them onto the under side of the mitre saw using the supplied fittings.

Note: Make sure that you fit the brackets to the saw the correct way around, so that the carry handles (12.4) are facing outwards (Fig.14).

Note: As the mitre saw can be of a considerable weight, it may be advisable to have another person help you with this part of the assembly:

- Thread the mitre saw mounting bolt (14) through the slot in the underside of the mounting bracket (12) and up through into the mounting hole of the mitre saw.
- Slide a mitre saw mounting washer (18) over the bolt, followed by a locking washer (20) and finally, a mitre saw mounting nut (16).
- Using a spanner, hand tighten to secure.
- Repeat the above steps with fixings, to secure the other end of the bracket, then attach the other bracket in the same way.
- When the mitre saw is sitting squarely on the two brackets, do a final tightening-up of all four bolts.

The mitre saw can now be lifted by the carry handles (12.4) and placed onto the frame of the stand.

- Secure in place by activating the locking levers (12.1).

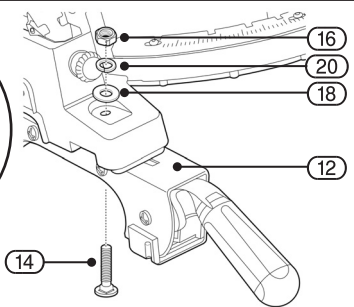
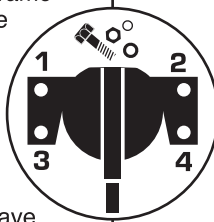


FIG.13

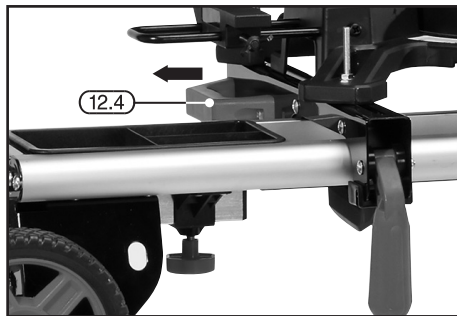


FIG.14

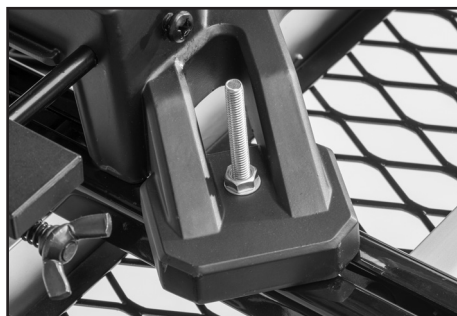


FIG.15

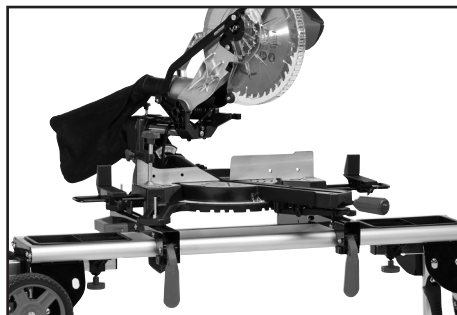


FIG.16

9. OPERATION

9.1 ROLLER BARS/EXTENSION BAR ADJUSTMENT– FIGS.17 – 18

Warning! Do not use the mitre saw stand for scaffolding or as a ladder. Make sure to securely tighten all fasteners before using.

Warning! Maximum load capacity for this mitre saw stand is 150kg.

Warning! Mitre saws used on the stand should not exceed a combined overall height of 152.4cm (60") from the floor.

The left and right extending beams (7) move in and out to properly support the workpiece:

- Loosen the locking knobs (8), slide the extension bar in or out to the required position.
- Re-tighten the locking knobs.

The roller bars (1) are used as directional rollers or with the extension bars as stationary stop guides:

- Loosen the locking knobs (2), slide the roller bars up and down to the desired location.
- Re-tighten the locking knobs.

9.2 MATERIAL SUPPORTS – FIG.19

Fold the material supports (4) out to stack extra material for easy access.

9.3 TOOL TRAYS – FIG.20

For convenience, the stand is equipped with two tool trays (11) and also an inset mesh grille (13) to help prevent accidental dropping of tools.

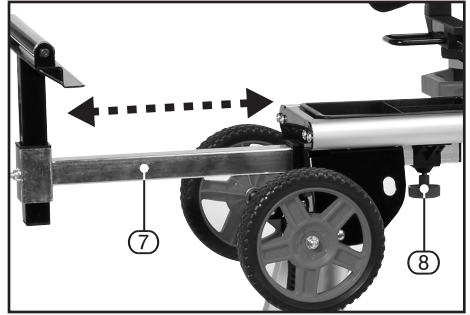


FIG.17

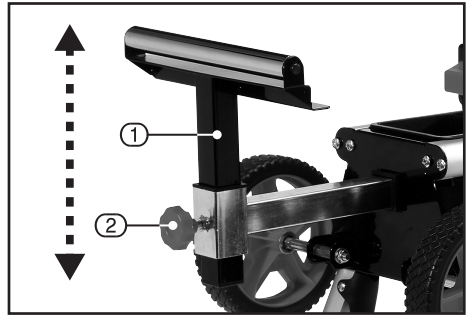


FIG.18

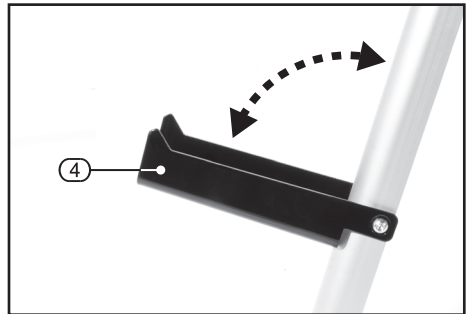


FIG.19

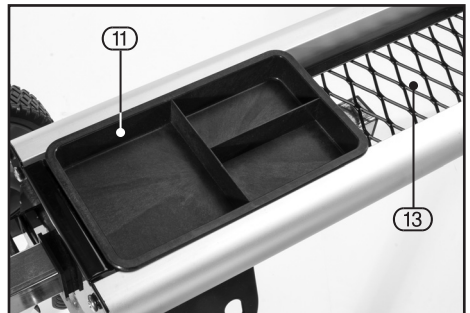


FIG.20

9. OPERATION

9.4 TRANSPORTATION – FIGS.21 – 24

Warning! Risk of unsafe operation. Ensure proper footing and use caution when wheeling the mitre saw stand to prevent tipping or loss of balance.

- Lift up on the end of the mitre saw stand with transport wheels (3).
- Whilst holding the stand with one hand, squeeze the leg locking levers (6) and fold up the two suspended legs (5).
- The legs will lock into place.
- Lower the stand until the wheels (3) rest on a flat surface.
- Using the transport handle (10), tilt the other end of the mitre saw stand up and transfer the weight to the wheels.
- Squeeze the release levers (6) and fold up the remaining two legs (5).
- The legs will lock into place.
- Holding the transport handle (10), carefully lower the stand to the ground.
- To move the stand, use the handle to lift and tilt the mitre saw stand onto the wheels. Move the mitre saw stand as shown in Fig.25.

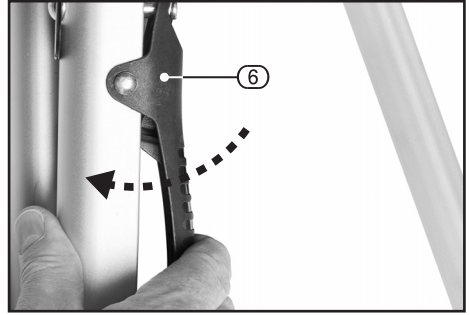


FIG.21

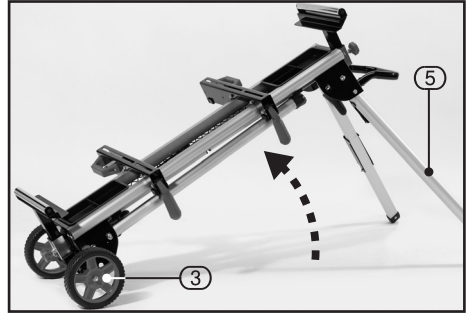


FIG.22

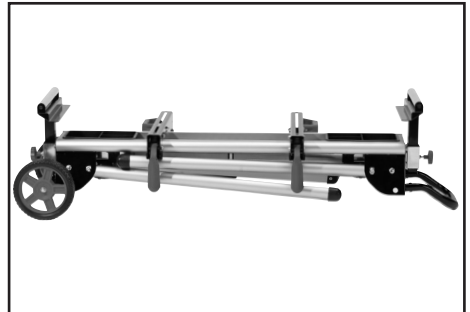


FIG.23



FIG.24

10. MAINTENANCE AND TROUBLESHOOTING

10.1 GENERAL MAINTENANCE

Warning! To ensure safety and reliability of this tool, any service or repairs must be performed by an authorised Draper Tools service technician.

- Unauthorised third party repairs and/or replacement of non-Draper parts to this product will invalidate the warranty and, could in the worst case, cause a life threatening safety hazard.

Warning! Keep the mitre saw stand dry, clean and free from oil and grease. Always use a clean cloth when cleaning. Never use brake fluid, petroleum based products or any strong solvents to clean the mitre saw stand.

- Chemicals can damage, weaken or destroy plastic which may result in serious injury.

11. OPTIONAL ACCESSORIES

11.1 OPTIONAL ACCESSORIES

A full range of accessories are available from Draper Tools.
Please visit our website for details: www.drapertools.com

12. DISPOSAL

12.1 DISPOSAL

- At the end of the machine's working life, or when it can no longer be repaired, ensure that it is disposed of according to national regulations.
- Contact your local authority for details of collection schemes in your area.

In all circumstances:

- Do not incinerate.
- Do not abandon in the environment.

13. EXPLANATION OF SYMBOLS

13.1 EXPLANATION OF SYMBOLS



Read the instruction manual.



Wear face mask and safety glasses.



Wear ear defenders.



Wear protective gloves.



Do not abandon into the environment.



Keep out of the reach of children.



Warning!

CONTACTS

Draper Tools
Draper Tools Limited
Hurley Road
Chandler's Ford
Eastleigh
Hampshire
S053 1YE
UK

Delta International
Delta International BV
Oude Graaf 8
6002 NL
Weert
Netherlands

Website: drapertools.com
Email: sales@drapertools.com

Product Helpline: +44 (0) 23 8049 4344
Telephone Sales Desk: +44 (0) 23 8049 4333
General Enquiries: +44 (0) 23 8026 6355
General Fax: +44 (0) 23 8026 0784

Please contact the Draper Tools Product Helpline for repair and servicing enquiries.

YOUR DRAPER STOCKIST