



DRAPER[®]

230V 3000W GARDEN **VACUUM, BLOWER & MULCHER**

94794



These instructions accompanying the product are the original instructions. This document is part of the product, keep it for the life of the product passing it on to any subsequent holder of the product. Read all these instructions before assembling, operating or maintaining this product.

This manual has been compiled by Draper Tools describing the purpose for which the product has been designed, and contains all the necessary information to ensure its correct and safe use. By following all the general safety instructions contained in this manual, it will ensure both product and operator safety, together with longer life of the product itself.

All photographs and drawings in this manual are supplied by Draper Tools to help illustrate the operation of the product.

Whilst every effort has been made to ensure the accuracy of information contained in this manual, the Draper Tools policy of continuous improvement determines the right to make modifications without prior warning.

1. TITLE PAGE

1.1 INTRODUCTION:

USER MANUAL FOR: 230V 300W Garden Vacuum, Blower & Mulcher

Stock No: 94794

Part No: BV3000/B

1.2 REVISIONS:

Date first published April 2021

As our user manuals are continually updated, users should make sure that they use the very latest version.

Downloads are available from: <http://drapertools.com/manuals>

Draper Tools Limited

Hursley Road

Chandler's Ford

Eastleigh

Hampshire

SO53 1YF

UK

Website: drapertools.com

Product Helpline: +44 (0) 23 8049 4344

General Fax: +44 (0) 23 8026 0784

1.3 UNDERSTANDING THIS MANUALS SAFETY CONTENT:

WARNING! – Information that draws attention to the risk of injury or death.

CAUTION! – Information that draws attention to the risk of damage to the product or surroundings.

1.4 COPYRIGHT © NOTICE:

Copyright © Draper Tools Limited.

Permission is granted to reproduce this publication for personal and educational use only. Commercial copying, redistribution, hiring or lending is prohibited.

No part of this publication may be stored in a retrieval system or transmitted in any other form or means without written permission from Draper Tools Limited.

In all cases this copyright notice must remain intact.

2. CONTENTS

1. TITLE PAGE	
1.1 INTRODUCTION.....	2
1.2 REVISION HISTORY	2
1.3 UNDERSTANDING THIS MANUAL	2
1.4 COPYRIGHT NOTICE	2
2. CONTENTS	
2.1 CONTENTS	3
3. WARRANTY	
3.1 WARRANTY.....	4
4. INTRODUCTION	
4.1 SCOPE.....	5
4.2 SPECIFICATION	5
4.3 HANDLING AND STORAGE.....	5
5. HEALTH AND SAFETY INFORMATION	
5.1 GENERAL SAFETY INSTRUCTIONS FOR GARDEN TOOL USE	6-7
5.2 GARDEN BLOWER/VACUUM SAFETY WARNING.....	7-8
5.3 CONNECTION TO THE POWER SUPPLY	8
6. TECHNICAL DESCRIPTION	
6.1 IDENTIFICATION	9
7. UNPACKING AND CHECKING	
7.1 PACKAGING	10
8. PREPARING THE BLOWER VAC	
8.1 ASSEMBLING THE CHUTE	11
8.2 FITTING THE COLLECTION BAG.....	12
8.3 SHOULDER STRAP	12
8.4 ON/OFF SWITCH	13
8.5 BLOWER/VACUUM FUNCTION.....	13
8.6 VARIABLE SPEED.....	13
8.7 COLLECTION.....	14
9. TROUBLESHOOTING.....	15
10. MAINTENANCE	
10.1 MAINTENANCE & PARTS REPLACEMENT	16
11. EXPLANATION OF SYMBOLS	
11.1 EXPLANATION OF SYMBOLS	17
12. DISPOSAL	
12.1 DISPOSAL	18
DECLARATION OF CONFORMITY	ENCLOSED

3. WARRANTY

3.1 WARRANTY

Draper tools have been carefully tested and inspected before shipment and are guaranteed to be free from defective materials and workmanship.

Should the tool develop a fault, please return the complete tool to your nearest distributor or contact:

Draper Tools Limited, Chandler's Ford, Eastleigh, Hampshire, SO53 1YF. England.

Telephone Sales Desk: (023) 8049 4333 or:

Product Helpline (023) 8049 4344.

A proof of purchase must be provided.

If upon inspection it is found that the fault occurring is due to defective materials or workmanship, repairs will be carried out free of charge. This guarantee period covering parts/labour is 12 months from the date of purchase except where tools are hired out when the guarantee period is 90 days from the date of purchase.

This guarantee does not apply to normal wear and tear, nor does it cover any damage caused by misuse, careless or unsafe handling, alterations, accidents, or repairs attempted or made by any personnel other than the authorised Draper warranty repair agent.

Note: If the tool is found not to be within the terms of warranty, repairs and carriage charges will be quoted and made accordingly.

This guarantee applies in lieu of any other guarantee expressed or implied and variations of its terms are not authorised.

Your Draper guarantee is not effective unless you can produce upon request a dated receipt or invoice to verify your proof of purchase within the guarantee period.

Please note that this guarantee is an additional benefit and does not affect your statutory rights.

Draper Tools Limited.

4. INTRODUCTION

4.1 SCOPE

This machine is designed to blow and vacuum leaves and other debris.

4.2 SPECIFICATION

Stock No:	94794
Part No:	BV3000/B
Rated Voltage	230V~50Hz
Rated input	3,000W
Air flow speed (Blowing)	270km/h max
Mulching ratio	up to 10:1
Collection bag capacity.....	35 ltr
Sound pressure level.....	85.1dB (A) K=3dB(A)
Sound power level	100.1dB(A) K=2.03db(A)
.....	LwA=102dB(A)
Vibration level	4.813m/s ² K=1.5m/s ²
Weight (machine only)	3.0kg

ALWAYS WEAR APPROVED EAR AND EYE PROTECTION

4.3 HANDLING AND STORAGE

Care must still be taken when handling and lifting. Dropping this machine will have an effect on the accuracy and may also result in personal injury. This machine is not a toy and must be respected.

The environment will have a negative result on its operation if you are not careful. If the air is damp, components will rust. If the machine is unprotected from dust and debris; components will become clogged: And if not cleaned and maintained correctly or regularly the machine will not perform at its best.

5. HEALTH AND SAFETY INFORMATION

Have this tool repaired by a qualified person. This tool is designed to conform to the relevant international and local standards and as such should be maintained and repaired by someone qualified; using only original parts supplied by the manufacturer: This will ensure the tool remains safe to use.

5.1 GENERAL SAFETY INSTRUCTIONS FOR GARDEN TOOL USE

Warning: Read all safety warnings and all instructions. Failure to follow the warnings and instructions may result in electric shock, fire and/or serious injury.

Save all warnings and instructions for future reference.

The term “power tool” in the warnings refers to your mains operated (corded) power tool or battery-operated (cordless) power tool, in this case it refers to a lawn mower.

1) Work area safety

- a) Keep work area clean and well lit. Cluttered or dark areas invite accidents.
- b) Do not operate power tools in explosive atmospheres, such as in the presence flammable liquids, gases or dust. Power tools create sparks which may ignite the dust or fumes.
- c) Keep children and bystanders away while operating a power tool. Distractions can cause you to lose control.

2) Electrical safety

- a) Power tool plugs must match the outlet. Never modify the plug in any way. Do not use any adapter plugs with earthed (grounded) power tools. Unmodified plugs and matching outlets will reduce risk of electric shock.
- b) Avoid body contact with earthed or grounded surfaces such as pipes, radiators, ranges and refrigerators. There is an increased risk of electric shock if your body is earthed or grounded.
- c) Do not expose power tools to rain or wet conditions. Water entering a power tool will increase the risk of electric shock.
- d) Do not abuse the cord. Never use the cord for carrying, pulling or unplugging the power tool. Keep cord away from heat, oil, sharp edges or moving parts. Damaged or entangled cords increase the risk of electric shock.
- e) When operating a power tool outdoors, use an extension cord suitable for outdoor use. Use of a cord suitable for outdoor use reduces the risk of electric shock.
- f) If operating a power tool in a damp location is unavoidable, use a residual current device (RCD) protected supply. Use of an RCD reduces the risk of electric shock.

3) Personal safety

- a) Stay alert, watch what you are doing and use common sense when operating a power tool. Do not use a power tool while you are tired or under the influence of drugs, alcohol or medication. A moment of inattention while operating power tools may result in serious personal injury.
- b) Use personal protective equipment. Always wear eye protection. Protective equipment such as dust mask, non-skid safety shoes, hard hat, or hearing protection used for appropriate conditions will reduce personal injuries.
- c) Prevent unintentional starting. Ensure the switch is in the off position before connecting to power source and/or battery pack, picking up or carrying the tool. Carrying power tools with your finger on the switch or energising power tools that have the switch on invites accidents.
- d) Remove any adjusting key or wrench before turning the power tool on. A wrench or a key left attached to a rotating part of the power tool may result in personal injury.

5. HEALTH AND SAFETY INFORMATION

- e) Do not overreach. Keep proper footing and balance at all times. This enables better control of the power tool in unexpected situations.
- f) Dress properly. Do not wear loose clothing or jewellery. Keep your hair, clothing and gloves away from moving parts. Loose clothes, jewellery or long hair can be caught in moving parts.
- g) If devices are provided for the connection of dust extraction and collection facilities, ensure these are connected and properly used. Use of these devices can reduce dust-related hazards.

4) Power tool use and care

- a) Do not force the power tool. Use the correct power tool for your application. The correct power tool will do the job better and safer at the rate for which it was designed.
- b) Do not use the power tool if the switch does not turn it on and off. Any power tool that cannot be controlled with the switch is dangerous and must be repaired.
- c) Disconnect the plug from the power source and/or battery pack from the power tool before making any adjustments, changing accessories, or storing power tools. Such preventive safety measures reduce the risk of starting the power tool accidentally.
- d) Store idle power tools out of the reach of children and do not allow persons unfamiliar with the power tool or these instructions to operate the power tool. Power tools are dangerous in the hands of untrained users.
- e) Maintain power tools. Check for misalignment or binding of moving parts, breakage of parts and any other condition that may affect the power tool's operation. If damaged, have the power tool repaired before use. Many accidents are caused by poorly maintained power tools.
- f) Keep cutting tools sharp and clean. Properly maintained cutting tools with sharp cutting edges are less likely to bind and are easier to control.
- g) Use the power tool, accessories and tool bits etc. in accordance with these instructions, taking into account the working conditions and the work to be performed. Use of the power tool for operations different from those intended could result in a hazardous situation.

5) Service

- a) Have your power tool serviced by a qualified repair person using only identical replacement parts. This will ensure that the safety of the power tool is maintained.

Important

When using product with an extension we recommend unrolling the lead completely to avoid heating of cable through induction.

5.2 GARDEN BLOWER/VACUUM SAFETY WARNING

1) Training

- a) Read the instructions carefully. be familiar with the proper use of the appliance.
- b) Never allow children to use the appliance.
- c) Never allow people unfamiliar with the instructions to use the appliance. Local regulations may restrict the age of the operator.
- d) Never operate the appliance while people, especially children or pets are nearby.
- e) The operator or user is responsible for accidents or hazards occurring to other people or their property.

2) Preparation:

- a) While operating the appliance, always wear substantial footwear and long trousers.
- b) Do not wear loose clothing or jewellery that can be drawn into the air inlet. Keep long hair away from the air inlets.

5. HEALTH AND SAFETY INFORMATION

- c) Wear protective goggle while operating.
- d) To prevent dust irritation, the wearing of a face mask is recommended.
- e) Before using, check the supply and extension cord for signs of damage and aging.
Do not use the appliance if the cord is damaged or worn.
- f) Never operate the appliance with defective guards or shields, or without safety devices, for example debris collector in place
- g) Only use a weather proof extension cable fitted with a coupler according to IEC 60320-2-3.

3. Operation:

- a) Always direct the cable to the rear away from the appliance.
- b) If a cord becomes damaged during use, disconnect the supply cord from the main immediately.
DO NOT TOUCH THE CORD BEFORE DISCONNECTING THE SUPPLY.
- c) Do not carry the appliance by the cable.
- d) Disconnect the appliance from the main supply:
 - Whenever you leave the machine.
 - Before cleaning a blockage.
 - Before checking, cleaning or working on the appliance.
 - If the appliance starts to vibrate abnormally.
- e) Operate the appliance only in daylight or in good artificial light.
- f) Do not overreach and keep your balance at all times.
- g) Always be sure of your footing on slopes.
- h) Walk, never run.
- i) Keep all cooling air inlets clear of debris.
- j) Never blow debris in the direction of bystanders.

4. Maintenance & Storage:

- a) Keep all nuts, bolts and screws tight to be sure the appliance is in safe working condition.
- b) Check the debris collector frequently.
- c) Replace worn or damaged parts.
- d) Use only genuine replacement parts and accessories.
- e) Store the appliance only in a dry place.

5.3 CONNECTION TO THE POWER SUPPLY

Caution: Risk of electric shock. Do not open.

This appliance is supplied with an approved plug and cable for your safety. The value of the fuse fitted is marked on the pin face of the plug. Should the fuse need replacing, ensure the substitute is of the correct rating, approved to BS1362 and ASTA or BS Kite marked.

ASTA 

BSI 

The fuse cover is removable with a small plain slot screwdriver. Ensure the fuse cover is replaced before attempting to connect the plug to an electrical outlet. If the cover is missing, a replacement must be obtained or the plug replaced with a suitable type.


If a replacement plug is to be fitted this must be carried out by a qualified electrician.

The damaged or incomplete plug, when cut from the cable should be disabled to prevent connection to a live electrical outlet.

This appliance is Class II† and is designed for connection to a power supply matching that detailed on the rating label and compatible with the plug fitted.

If an extension lead is required, use an approved and compatible lead rated for this appliance.

Follow all the instructions supplied with the extension lead.

†Double insulated  This product requires no earth connection as supplementary insulation is applied to the basic insulation to protect against electric shock in the event of failure of the basic insulation.

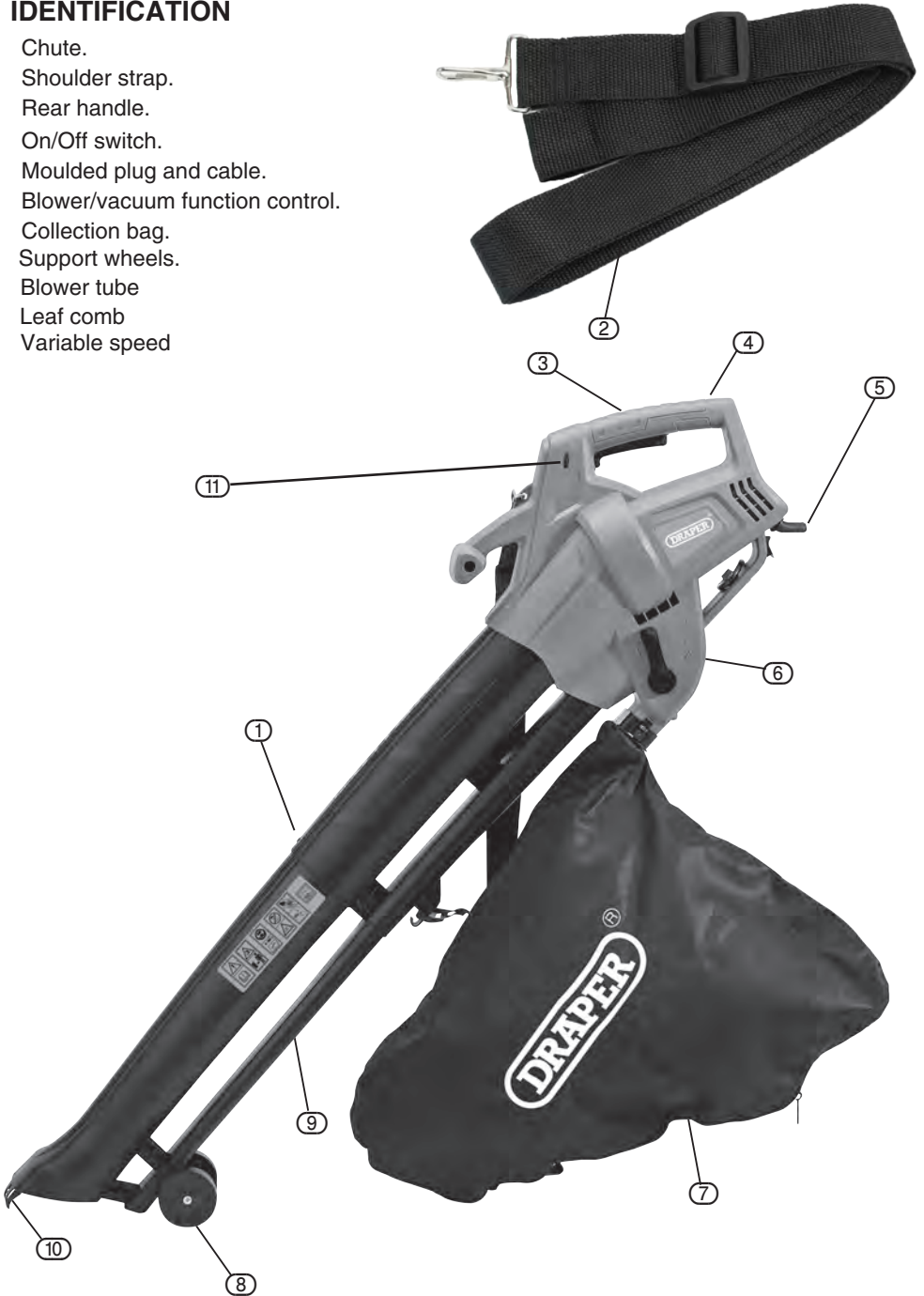
IMPORTANT

If using an extension lead, follow the instructions that came with your lead regarding maximum load while cable is wound. If in doubt, ensure that the entire cable is unwound. Using a coiled extension lead will generate heat which could melt the lead and cause a fire.

6. TECHNICAL DESCRIPTION

6.1 IDENTIFICATION

- ① Chute.
- ② Shoulder strap.
- ③ Rear handle.
- ④ On/Off switch.
- ⑤ Moulded plug and cable.
- ⑥ Blower/vacuum function control.
- ⑦ Collection bag.
- ⑧ Support wheels.
- ⑨ Blower tube
- ⑩ Leaf comb
- ⑪ Variable speed



7. UNPACKING

7.1 PACKAGING

Carefully remove the from the packaging and examine it ~~for any~~ sign of damage that may have happened during shipping. Lay the contents out and check them against the parts shown below. If any part is damaged or missing; please contact the Draper Helpline (the telephone number appears on the Title page) and do not attempt to use the machine.

The packaging material should be retained at least during the guarantee period: in case the machine needs to be returned for repair.

Warning! Some of the packaging materials used may be harmful to children. Do not leave any of these materials in the reach of children.

If any of the packaging is to be thrown away, make sure they are disposed of correctly; according to local regulations.

8. PREPARING THE BLOWER VAC

NOTE: Remove the plug from the socket before carrying out adjustment, servicing or maintenance.

IMPORTANT:

Remove the label which sits in front of the impeller and assemble and fix chute **BEFORE** operating this blower vac.

8.1 ASSEMBLING THE CHUTE - FIGS. 1 - 4

Connect the two sections of the chute together and fix with screw supplied.

Fit the chute assembly to the motor housing using the other screw.

Attach wheels/leaf comb once fully assembled.



FIG. 1



FIG. 2



FIG. 3



FIG. 4

8. PREPARING THE BLOWER VAC

NOTE: Remove the plug from the socket before carrying out adjustment, servicing or maintenance.

8.2 FITTING THE COLLECTION BAG - FIGS. 5 - 6

Push the two side lugs into the slots in the housing so they click into place. Ensure the collection bag is securely fitted and bag clipped to chute.



FIG. 5



FIG. 6

8.3 SHOULDER STRAP - FIG. 7

To aid with manoeuvrability and weight, the garden blower/vacuum comes supplied with an adjustable shoulder strap. Connect strap to pivot point. Adjust strap length to suit user height/preference.



FIG. 7

8. PREPARING THE BLOWER VAC



8.4 ON/OFF SWITCH - FIG. 8

To activate the garden blower/vacuum, fully press and hold the trigger.

To deactivate the garden blower/vacuum, simply release the trigger.

NOTE: This appliance should be supplied via a residual current device (RCD) with a tripping current of not more than 30mA.

8.5 BLOWER/VACUUM FUNCTION - FIG. 9

- To interchange between the blower/vacuum functions adjust control lever.
- Lower adjustment control lever in to position marked  for the blower position.
- Raise adjustment control lever into position marked  for the vacuum function.

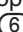
8.6 VARIABLE SPEED - FIG 10

Rotate the dial to adjust to required wind speed.

NOTE: Mulching action is automatic when in vacuum mode and can reduce leaf volume by up to 10:1.

When changing from vacuum mode to blower mode, wait for debris to exit the chute and enter the bag before switching to prevent debris being blown down the blower tube or jamming mode selector switch.

When using blower mode, it is important to keep the chute further from the ground, as air is sucked up the chute before being blown out through the blower tube. Allowing the chute to be near the ground could cause debris to enter the chute and be blown out through the blower tube or cause the machine to block.

WARNING: Damage and blockages caused by operating the blower vacuum function control lever  whilst the motor is running are considered misuse and are not covered by any guarantee.

CAUTION: Avoid sucking up gravel and stones. These can permanently damage the blowervac internal components. Any resultant damage is not covered by the guarantee.

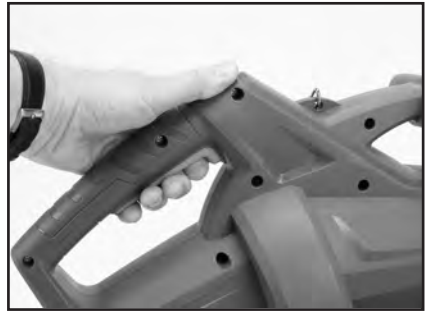


FIG. 8



FIG. 9



FIG. 10

8. PREPARING THE BLOWER VAC

8.7 COLLECTION

As the organic material is vacuumed up the chute it passes through an impellor which in turn reduces the volume as it loosely mulches the matter. When the collection bag is nearing capacity, stop the machine and disconnect the power supply.

Press the two release tabs inwards and pull the plastic collar forwards to remove from machine.

NOTE: Follow the procedure on page 12 for fitting the collection bag.

With the bag removed the collected organic material can be emptied for compost/recycling by opening the zip.

NOTE: Ensure the zip is completely closed prior to refitting the collection bag.

Care should be taken with wet leaves, as they will not mulch as easily as dry leaves. Excessive leaves sucked up too quickly could cause the machine to block. If this happens you must unplug the machine and clear the blockage.

Care should be taken to avoid sucking up stones and gravel into the machine. Other items sucked up, other than leaves, can also cause blockages and damage.

9. TROUBLESHOOTING

TROUBLE	PROBABLE CAUSE	REMEDY
Machine fails to operate	<ol style="list-style-type: none">1. Not plugged in.2. Fuse blown.3. RCD Tripped.4. Cable damaged.	<ol style="list-style-type: none">1. Plug in and switch on.2. Replace fuse with fuse of the same amperage rating. Also check fuse in extension lead plug if applicable.3. Reset RCD. If problem occurs again, unplug the machine and have the machine checked by a qualified person.4. Do not use the machine until the cable has been replaced.
Poor suction, mulching or collection	<ol style="list-style-type: none">1. Collection bag full.2. Collection chute blocked.3. Impeller damaged.4. Collection bag damaged or open.	<ol style="list-style-type: none">1. Unplug the machine and empty the bag.2. Unplug the machine and unblock chute.3. Have the impeller replaced by a qualified service agent.4. Close, refit or replace collection bag.
Reduced blower air flow	<ol style="list-style-type: none">1. Blower tube blocked.	<ol style="list-style-type: none">1. Unplug the machine and check for blockage.

10. MAINTENANCE

10.1 MAINTENANCE & PARTS REPLACEMENT

Remove the plug from the socket before carrying out adjustment, servicing or maintenance.

Regular inspection and cleaning reduces the necessity for maintenance operations and will keep your tool in good working condition.

The motor must be correctly ventilated during tool operation. For this reason avoid blocking the air inlets.

If the replacement of the supply cord is necessary, this has to be done by the manufacturer or his agent in order to avoid a safety hazard.

11. EXPLANATION OF SYMBOLS

11.1 EXPLANATION OF SYMBOLS



WEEE
Do not dispose of Waste Electrical & Electronic Equipment in with domestic rubbish



Keep hands away from blades and moving parts.



Class II construction
(Double insulated)



Remove plug before maintenance.



Warning!
Wear suitable eye/face protection.



Wear protective gloves.



Warning!
Can pose a danger to wildlife.



Safety shoes.



Warning!
Read instruction manuals before operating and servicing this equipment.



Keep distance of persons.
Observe.



UK Conformity Assessed



European Conformity



Beware sharp blades.



Warning: do not start the leaf blower/vac without mounting the two suction/blowing tubes!



12. DISPOSAL

12.1 DISPOSAL

- At the end of the machine's working life, or when it can no longer be repaired, ensure that it is disposed of according to national regulations.
- Contact your local authority for details of collection schemes in your area.

In all circumstances:

- ❑ do not dispose of power tools with domestic waste.
- ❑ do not incinerate.
- ❑ do not abandon in the environment.
- ❑ do not dispose of WEEE* as unsorted municipal waste.



* Waste Electrical & Electronic Equipment.

CONTACTS

Draper Tools Limited, Hursley Road,
Chandler's Ford, Eastleigh, Hampshire. SO53 1YF. U.K.

Helpline: (023) 8049 4344

Sales Desk: (023) 8049 4333

Internet: drapertools.com

E-mail: sales@drapertools.com

General Enquiries: (023) 8026 6355

Service/Warranty Repair Agent:

For aftersales servicing or warranty repairs, please contact the
Draper Tools Helpline for details of an agent in your local area.

YOUR DRAPER STOCKIST

TACG0421

©Published by Draper Tools Limited.

No part of this publication may be reproduced, stored in a retrieval system or transmitted in any form or by any means, electronic, mechanical photocopying, recording or otherwise without prior permission in writing from Draper Tools Ltd.