



DRAPER[®]

230V BELT & DISC SANDER

98525



These instructions accompanying the product are the original instructions. This document is part of the product, keep it for the life of the product passing it on to any subsequent holder of the product. Read all these instructions before assembling, operating or maintaining this product.

This manual has been compiled by Draper Tools describing the purpose for which the product has been designed, and contains all the necessary information to ensure its correct and safe use. By following all the general safety instructions contained in this manual, it will ensure both product and operator safety, together with longer life of the product itself.

All photographs and drawings in this manual are supplied by Draper Tools to help illustrate the operation of the product.

Whilst every effort has been made to ensure the accuracy of information contained in this manual, the Draper Tools policy of continuous improvement determines the right to make modifications without prior warning.

1. TITLE PAGE

1.1 INTRODUCTION:

USER MANUAL FOR: 230V Belt & Disc Sander

Stock No: 98525

Part No: BDS500D

1.2 REVISIONS:

Date first published October 2020.

As our user manuals are continually updated, users should make sure that they use the very latest version.

Downloads are available from: <http://drapertools.com/manuals>

Draper Tools Limited
Hursley Road
Chandler's Ford
Eastleigh
Hampshire
SO53 1YF
UK

Website: drapertools.com

Product Help Line: +44 (0) 23 8049 4344

General Fax: +44 (0) 23 8026 0784

1.3 UNDERSTANDING THIS MANUALS SAFETY CONTENT:

Warning! – Information that draws attention to the risk of injury or death.

Important – Information that draws attention to the risk of damage to the product or surroundings.

1.4 COPYRIGHT © NOTICE:

Copyright © Draper Tools Limited.

Permission is granted to reproduce this publication for personal and educational use only.

Commercial copying, redistribution, hiring or lending is prohibited.

No part of this publication may be stored in a retrieval system or transmitted in any other form or means without written permission from Draper Tools Limited.

In all cases this copyright notice must remain intact.

2. CONTENTS

2.1 TABLE OF CONTENTS

1. TITLE PAGE

1.1	INTRODUCTION:.....	2
1.2	REVISIONS:.....	2
1.3	UNDERSTANDING THIS MANUALS SAFETY CONTENT:.....	2
1.4	COPYRIGHT © NOTICE:.....	2

2. CONTENTS

2.1	TABLE OF CONTENTS	3
-----	-------------------------	---

3. WARRANTY

3.1	WARRANTY	5
-----	----------------	---

4. INTRODUCTION

4.1	SCOPE.....	6
4.2	SPECIFICATION	6
4.3	HANDLING AND STORAGE.....	6

5. HEALTH AND SAFETY INFORMATION

5.1	GENERAL SAFETY INSTRUCTIONS FOR POWER TOOL USE	7
5.2	ADDITIONAL SAFETY INSTRUCTIONS FOR SANDERS.....	8
5.3	RESIDUAL RISK	9
5.4	CONNECTION TO THE POWER SUPPLY.....	9

6. TECHNICAL DESCRIPTION

6.1	IDENTIFICATION.....	10
-----	---------------------	----

7. UNPACKING AND CHECKING

7.1	PACKAGING	11
7.2	WHAT'S IN THE BOX	11

8. PREPARING THE SANDER

8.1	BENCH MOUNTING	12
8.2	INSTALLING DISC WORK TABLE	12
8.3	INSTALLING BELT WORK TABLE.....	13
8.4	INSTALLING DUST EXHAUST AND BAG.....	13
8.5	DISC WORK TABLE ANGLE ADJUSTMENT	14
8.6	BELT WORK TABLE ANGLE ADJUSTMENT	14
8.7	DUST EXTRACTION	14

9. OPERATION AND USE

9.1	ON/OFF SWITCH	15
9.2	HORIZONTAL SANDING	15
9.3	VERTICAL SANDING	15
9.4	INSIDE CURVE SANDING	15
9.5	OUTSIDE CURVE SANDING	16
9.6	MITRE GAUGE ADJUSTMENT	16
9.7	REPLACING THE SANDING DISC	17

2. CONTENTS

9.8	REPLACING THE SANDING BELT	17
9.9	ADJUSTING BELT TRACKING.....	17
10.	MAINTENANCE AND TROUBLESHOOTING	
10.1	MAINTENANCE	18
10.2	TROUBLESHOOTING GUIDE.....	18
11.	EXPLANATION OF SYMBOLS	
11.1	EXPLANATION OF SYMBOLS.....	19
12.	DISPOSAL	
12.1	DISPOSAL	19
	DECLARATION OF CONFORMITY.....	ENCLOSED

3. WARRANTY

3.1 WARRANTY

Draper tools have been carefully tested and inspected before shipment and are guaranteed to be free from defective materials and workmanship.

Should the tool develop a fault, please return the complete tool to your nearest distributor or contact:

Draper Tools Limited, Chandler's Ford, Eastleigh, Hampshire, SO53 1YF. England.

Telephone Sales Desk: +44 (0) 8049 4333 or Product Help Line +44 (0) 23 8049 4344.

A proof of purchase **must** be provided with the tool.

If upon inspection it is found that the fault occurring is due to defective materials or workmanship, repairs will be carried out free of charge. This warranty period covering labour is 12 months from the date of purchase except where tools are hired out when the warranty period is 90 days from the date of purchase. The warranty is extended to 24 months for parts only. This warranty does not apply to any consumable parts, any type of battery or normal wear and tear, nor does it cover any damage caused by misuse, careless or unsafe handling, alterations, accidents, or repairs attempted or made by any personnel other than the authorised Draper warranty repair agent.

Note: If the tool is found not to be within the terms of warranty, repairs and carriage charges will be quoted and made accordingly.

This warranty applies in lieu of any other warranty expressed or implied and variations of its terms are not authorised.

Your Draper warranty is not effective unless you can produce upon request a dated receipt or invoice to verify your proof of purchase within the warranty period.

Please note that this warranty is an additional benefit and does not affect your statutory rights.

Draper Tools Limited.

4. INTRODUCTION

4.1 SCOPE

This belt and disc sander offers complete flexibility in the workshop. The tilting arm and table offer a wide variety of sanding operations from chamfers to compound mitres. Capabilities include horizontal and vertical sanding. Any application other than that it was designed for is considered misuse.

4.2 SPECIFICATION

Stock No. 98525

Part No. BDS500D

Motor:

Rated voltage 230V~

Rated frequency 50Hz

Rated input 500W

Belt size 100 x 914mm

Belt speed..... 9.2m/s

Belt table size 170 x 125mm (0-45°)

Disc size 200mm

Disc speed..... 2850min⁻¹

Disc table size 150 x 264mm (0-45°)

Overall machine size540 x 370 x 325mm

Sound pressure level (LpA) 78.2dB(A)

Sound power level (LWA)91.1dB(A)

Weight 21.5kg

4.3 HANDLING AND STORAGE

- Care must be taken when handling this product.
 - Dropping this power tool could have an effect on its accuracy and could also result in personal injury. This product is not a toy and must be respected.
- Environmental conditions can have a detrimental effect on this product if neglected.
 - Exposure to damp air can gradually corrode components. If the product is unprotected from dust and debris, components will become clogged.
 - If not cleaned and maintained correctly or regularly, the machine will not perform at its best.

5. HEALTH AND SAFETY INFORMATION

5.1 GENERAL SAFETY INSTRUCTIONS FOR POWER TOOL USE

When using any type of power tool there are steps that should be taken to make sure that you, as the user, remain safe.

Common sense and a respect for the tool will help reduce the risk of injury.

Read the instruction manual fully. Do not attempt any operation until you have read and understood this manual.

Most important you must know how to safely start and stop this machine, especially in an emergency.

Keep the work area tidy and clean. Attempting to clear clutter from around the machine during use will reduce your concentration. Mess on the floor creates a trip hazard. Any liquid spilt on the floor could result in you slipping.

Find a suitable location. If the machine is bench mounted, the location should provide good natural light or artificial lighting as a replacement. Avoid damp and dust locations as it will have a negative effect on the machine's performance. If the machine is portable do not expose the tool to rain. In all cases do not operate power tools near any flammable materials.

Keep bystanders away. Children, onlookers and passers by must be restricted from entering the work area for their own protection. The barrier must extend a suitable distance from the tool user.

Unplug and house all power tools that are not in use. A power tool should never be left unattended while connected to the power supply. They must be housed in a suitable location, away locked up and from children. This includes battery chargers.

Do not overload or misuse the tool. All tools are designed for a purpose and are limited to what they are capable of doing. Do not attempt to use a power tool (or adapt it in any way) for an application it is not designed for. Select a tool appropriate for the size of the job. Overloading a tool will result in tool failure and user injury. This covers the use of accessories.

Dress properly. Loose clothing, long hair and jewellery are all dangerous because they can become entangled in moving machinery. This can also result in parts of body being pulled into the machine. Clothing should be close fitted, with any long hair tied back and jewellery and neck ties removed. Footwear must be fully enclosed and have a non-slip sole.

Wear personal protective equipment (PPE). Dust, noise, vibration and swarf can all be dangerous if not suitably protected against. If the work involving the power tool creates dust or fumes wear a dust mask. Vibration to the hand, caused by operating some tools for longer periods must be protected against. Wear vibration reducing gloves and allow long breaks between uses. Protect against dust and swarf by wearing approved safety goggles or a face shield. These are some of the more common hazards and preventions, however, always find out what hazards are associated with the machine/work process and wear the most suitable protective equipment available.

Do not breathe contaminated air. If the work creates dust or fumes connect the machine (if possible) to an extraction system either locally or remotely. Working outdoors can also help if possible.

Move the machine as instructed. If the machine is hand held, do not carry it by the power supply cable. If the product is heavy, employ a second or third person to help move it safely or use a mechanical device. Always refer to the instructions for the correct method.

Do not overreach. Extending your body too far can result in a loss of balance and you falling. This could be from a height or onto a machine and will result in injury.

Maintain your tools correctly. A well maintained tool will do the job safely. Replace any damaged or missing parts immediately with original parts from the manufacturer. As applicable, keep blades sharp, moving parts clean, oiled or greased, handles clean, and emergency devices working.

Wait for the machine to stop. Unless the machine is fitted with a safety brake, some parts may continue to move due to momentum. Wait for all parts to stop, then unplug it from the power supply

5. HEALTH AND SAFETY INFORMATION

before making any adjustments, carrying out maintenance operations or just finishing using the tool.

Remove and check setting tools. Some machinery requires the use of additional tools or keys to set, load or adjust the power tool. Before starting the power tool always check to make certain they have been removed and are safely away from the machine.

Prevent unintentional starting. Before plugging any machine in to the power supply, make sure the switch is in the OFF position. If the machine is portable, do not hold the machine near the switch and take care when putting the machine down, that nothing can operate the switch.

Carefully select an extension lead. Some machines are not suitable for use with extension leads. If the tool is designed for use outdoors, use an extension lead also suitable for that environment. When using an extended lead, select one capable of handling the current (amps) drawn by the machine in use. Fully extend the lead regardless of the distance between the power supply and the tool. Excess current (amps) and a coiled extension lead will both cause the cable to heat up and can result in fire.

Concentrate and stay alert. Distractions are likely to cause an accident. Never operate a power tool if you are under the influence of drugs (prescription or otherwise), including alcohol or if you are feeling tired. Being disorientated will result in an accident.

Have this tool repaired by a qualified person. This tool is designed to conform to the relevant international and local standards and as such should be maintained and repaired by someone qualified, using only original parts supplied by the manufacturer. This will ensure the tool remains safe to use.

5.2 ADDITIONAL SAFETY INSTRUCTIONS FOR SANDERS

Safety is a combination of operator common sense and alertness at all times when the sander is being used.

Warning! For your own safety, do not attempt to operate the belt and disc sander until it is completely assembled and installed according to the instructions and until you have read and understand the following.

There may be a tendency for the machine to tip over or move during certain operations, due to this, the sander must be bolted down.

The machine should be positioned so the operator or a casual observer are not forced to stand in line with the sanding belt or disc. This machine is intended for indoor use only.

When sanding on the disc, always apply the workpiece left of centre of the disc. Applying the workpiece to the right side could cause it to fly up (kickback) which could be dangerous.

Always wear safety goggles (not glasses) that comply to a recognised standard. Wear a face mask if the operation is dusty. Wear ear plugs or muffs during extended periods of operation. Do not wear gloves, jewellery or watches. Roll long sleeves above the elbow. Tie back long hair.

Do not sand pieces of material too small to hold comfortably by hand.

Avoid awkward hand positions, where a sudden slip could cause a hand to move into the sanding disc or belt.

Never stand on the machine.

Never turn your sander "ON" before clearing the belt table and worktable of all objects.

Make sure the sanding belt runs in the right direction (directional arrow on inside of belt). Always have it adjusted correctly so that the belt does not run off the rollers.

Hold the work firmly when sanding on the belt and against the worktable when sanding on the disc.

Always adjust the worktable to within a maximum of 2mm off the sanding disc or belt.

When sanding a large piece of material, provide additional support at table height.

Never leave when the machine is on, wait until the machine has come to a complete stop.

5. HEALTH AND SAFETY INFORMATION

Do not perform assembly or adjustment work on the table while the sander is operating. Turn sander “OFF” and remove plug from power supply before removing any accessories.

If any part of this belt and disc sander breaks, bends, or fails in any way, or any electrical component fails to perform properly, or if any part is missing, turn off power switch, remove plug from the power supply and replace damaged, missing and/or failed parts before resuming operation.

Do not sand with the workpiece unsupported. Support it with the backstop or worktable. The only exception is curved work performed on the outer end of the belt (idler roller).

Safety is a combination of operator common sense and alertness at all times when the sander is in operation.

Caution: This Belt and Disc Sander is designed solely for wood and nonferrous metals only. Any other materials will cause damage to the product or risk of fire.

5.3 RESIDUAL RISK

Important: Although the safety instructions and operating manuals for our tools contain extensive instructions of safe working with power tools, every power tool involves a certain residual risk which can not be completely excluded by safety mechanisms. Power tools must therefore always be operated with caution!

5.4 CONNECTION TO THE POWER SUPPLY

Caution: Risk of electric shock. Do not open.

This appliance is supplied with an approved plug and cable for your safety. The value of the fuse fitted is marked on the pin face of the plug. Should the fuse need replacing, ensure the substitute is of the correct rating, approved to BS1362 and ASTA or BS Kite marked.

ASTA 

BSI 


The fuse cover is removable with a small plain slot screwdriver. Ensure the fuse cover is replaced before attempting to connect the plug to an electrical outlet. If the cover is missing, a replacement must be obtained or the plug replaced with a suitable type.

If a replacement plug is to be fitted this must be carried out by a qualified electrician.

The damaged or incomplete plug, when cut from the cable should be disabled to prevent connection to a live electrical outlet.

This appliance is Class I† and is designed for connection to a power supply matching that detailed on the rating label and compatible with the plug fitted.

If an extension lead is required, use an approved and compatible lead rated for this appliance. Follow all the instructions supplied with the extension lead.

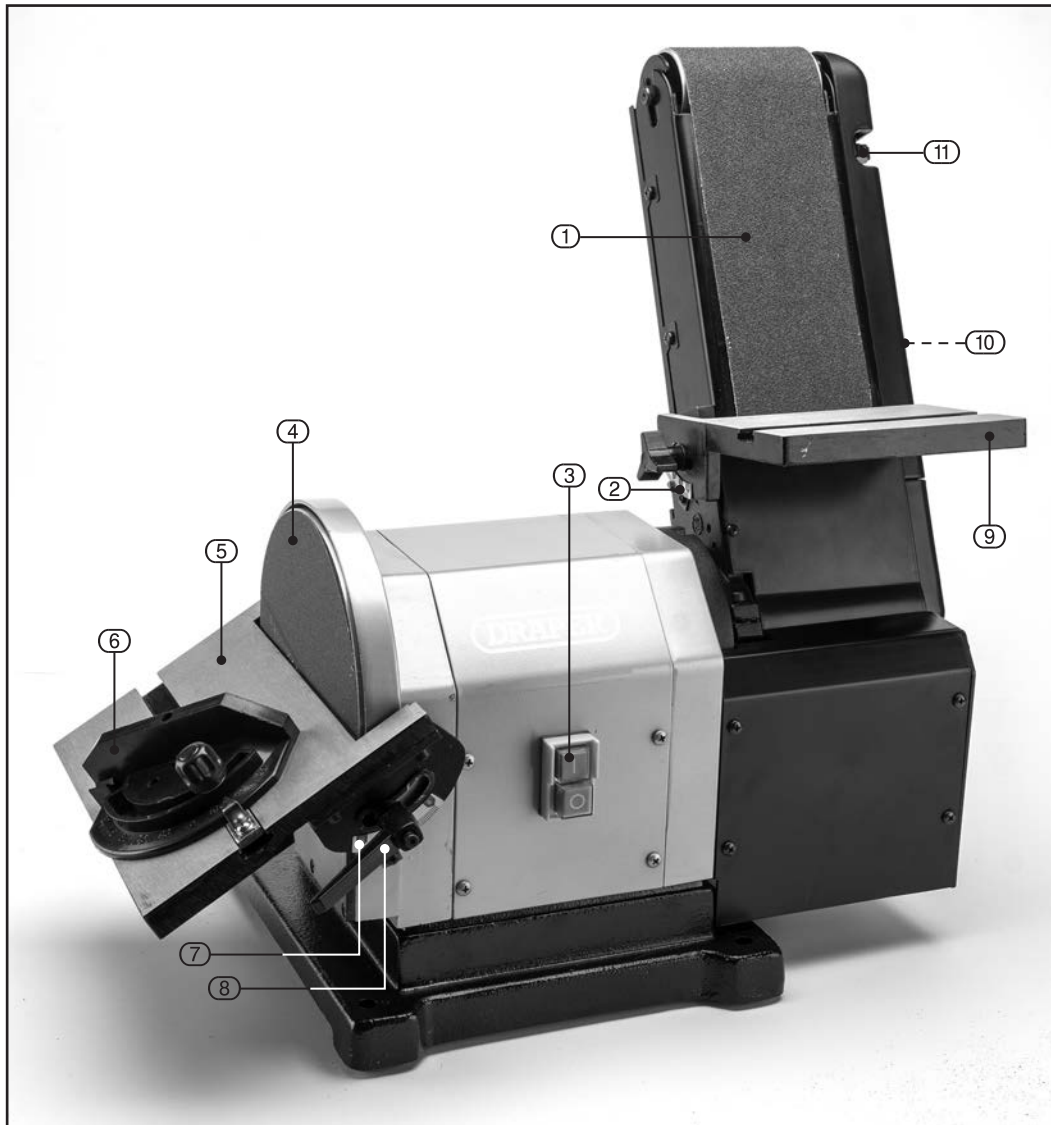
†Earthed : This product requires an earth connection to protect against electric shock from accessible conductive parts in the event of failure of the basic insulation.

IMPORTANT

If using an extension lead, follow the instructions that came with your lead regarding maximum load while cable is wound. If in doubt, ensure that the entire cable is unwound. Using a coiled extension lead will generate heat which could melt the lead and cause a fire.

6. TECHNICAL DESCRIPTION

6.1 IDENTIFICATION



① Sanding belt.

② Belt work table scale.

③ ON/OFF switch.

④ Sanding disc.

⑤ Disc work table.

⑥ Mitre gauge.

⑦ Disc work table scale.

⑧ Disc work table handles.

⑨ Belt work table.

⑩ Belt tension lever.

⑪ Tracking knob.

7. UNPACKING AND CHECKING

7.1 PACKAGING

Carefully remove the product from the packaging and examine it for any sign of damage that may have happened during shipping. Lay the contents out and check them against the parts shown below. If any part is damaged or missing, please contact the Draper Help Line (the telephone number appears on the Title page) and do not attempt to use the product.

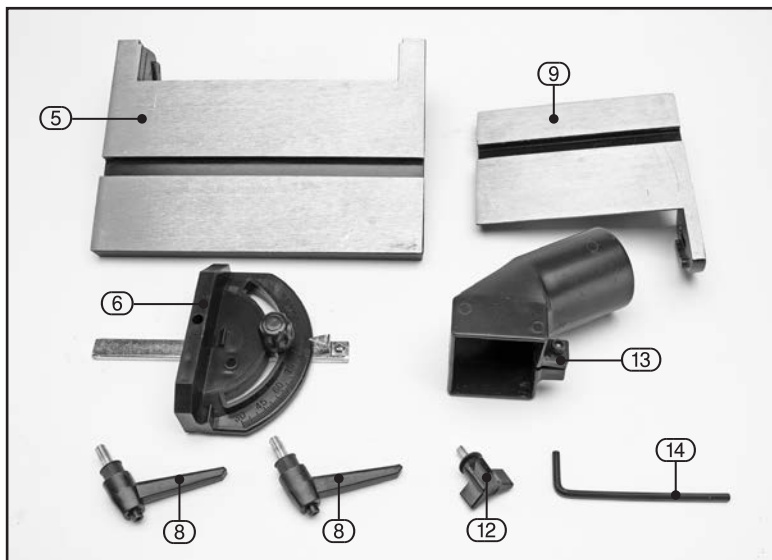
The packaging material should be retained at least during the warranty period, in case the machine needs to be returned for repair.

Warning!

- Some of the packaging materials used may be harmful to children. Do not leave any of these materials in the reach of children.
- If any of the packaging is to be thrown away, make sure they are disposed of correctly, according to local regulations.

7.2 WHAT'S IN THE BOX

As well as the main product, there are several parts not fitted or attached to it.



(5) Disc work table.

(6) Mitre gauge.

(8) Disc work table handles.

(9) Belt work table.

(12) Belt work table knob

(13) Dust exhaust

(14) Hex key

Note: For details of our full range of accessories and consumables, please visit drapertools.com

8. PREPARING THE SANDER

Note: Remove the plug from the socket before carrying out adjustment, servicing or maintenance.

8.1 BENCH MOUNTING - FIG. 1

Note: If during operation there is any tendency for the sander to tip over, slide or walk on the supporting surface, it is recommended that you mount the sander on a flat and level workbench or stand to avoid any movement during operation. There is four mounting holes are located on the base of the sander for this purpose.

To mount the machine -

Place the sander on a surface that is level but also provides enough room on all sides for the workpiece and for the operator (or bystanders) to not be standing in line with the wood while using the tool. Allow room for the belt to be positioned horizontally or vertically.

Note: The hardware to mount this sander is NOT supplied with the sander.

8.2 INSTALLING DISC WORK TABLE - FIGS. 2-3

Place the disc work table (5) onto the sander frame, aligning the semi-circle slot with the threaded hole.

Place a washer on the threaded shaft of each work table handle (8), insert through semi-circular slot, and tighten into threaded hole. Repeat on the other side of table.

Adjust work table to desired angle and tighten handles.

Note: To avoid trapping the workpiece or fingers between the work table (5) and sanding disc (4) the work table edge should be positioned a maximum of 1.6 mm from the sanding disc plate.



FIG.1

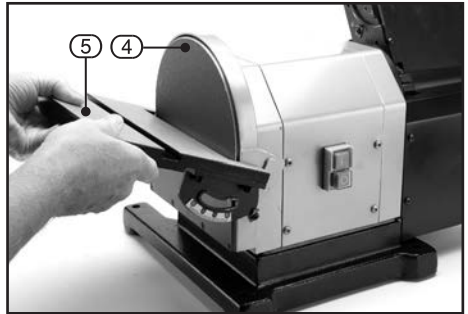


FIG.2

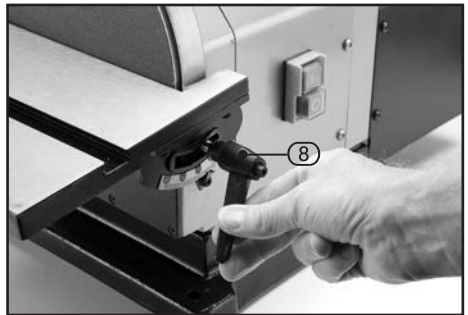


FIG.3

8. PREPARING THE SANDER

8.3 INSTALLING BELT WORK TABLE - FIGS. 4-5

This worktable is used with the sanding belt and should be used to support workpieces in all sanding operations except inside curve applications.

To install the table -

Loosen the inner hex screw (1.1), and raise the belt bed (1.2) to the vertical position. Tighten the inner hex screw.

Place the belt work table (9) onto the sander frame, aligning the semi-circle slot with the threaded hole.

Place a washer on the threaded shaft of work table knob (12), insert through semi-circular slot, and tighten into threaded hole.

Adjust work table to desired angle and tighten knob.

Note: To avoid trapping the workpiece or fingers between the work table (9) and sanding belt (1) the work table edge should be positioned a maximum of 1.6 mm from the sanding belt.

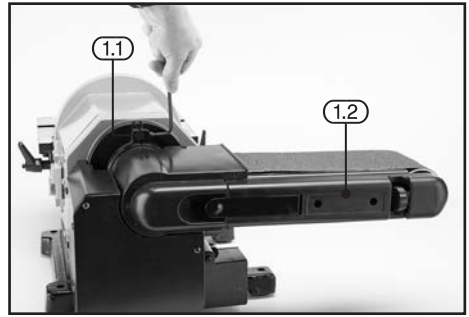


FIG.4

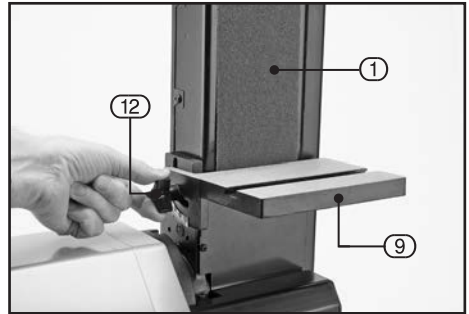


FIG.5

8.4 INSTALLING DUST EXHAUST AND BAG - FIG. 6

Warning! Sanding operations are inherently dusty. To help minimize the amount of dust that escapes into the surrounding air, this sander is equipped with a dust exhaust and dust bag. It is strongly recommended that users attach the dust exhaust and the dust bag when using this sander. Use of a mask or respirator is still recommended even when a dust collection system is in use.

Raise the belt bed (1.2) and secure in the vertical position to give better access to dust port.

Loosen the inner hex screw (13.1), attach the dust exhaust (13) on the dust port (13.2) of the sander, and tighten the inner hex screw.

Insert the opening of dust bag through the clamp, and release the clamp handle. Attach the opening of dust bag to the dust exhaust (13), and lock the clamp to secure the bag in place.

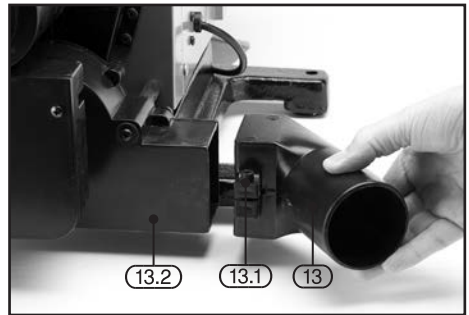


FIG.6

8. PREPARING THE SANDER

8.5 DISC WORK TABLE ANGLE ADJUSTMENT - FIG. 7

The disc table (5) can be tilted from 0° to 45° by loosening the table lock handles (8) on both sides of the table.

Adjust work table to desired angle and tighten handles.

Use of an engineer's square ensures an exact 90° angle between the table bed and sanding disc.

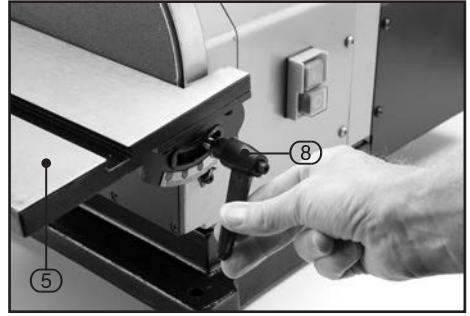


FIG.7

8.6 BELT WORK TABLE ANGLE ADJUSTMENT - FIG. 8

The belt table (9) can be tilted from 0° to 45° by loosening the table locking knob (12).

Adjust work table to desired angle and tighten knob.

Use of an engineer's square ensures an exact 90° angle between the table bed and sanding belt (1).

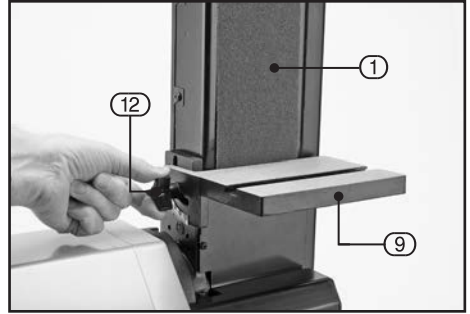


FIG.8

8.7 DUST EXTRACTION - FIG. 9

Warning! Sanding operations are inherently dusty. To help minimize the amount of dust that escapes into the surrounding air, this sander is equipped with a dust exhaust and dust bag. It is strongly recommended that users attach the dust exhaust and the dust bag when using this sander. Use of a mask or respirator is still recommended even when a dust collection system is in use.

Warning! FIRE HAZARD. Collected sanding dust from sanding surface coatings (polyurethane, linseed oil, etc.) can self-ignite in dust collector bag or elsewhere and cause fire. To reduce risk, empty bag frequently.

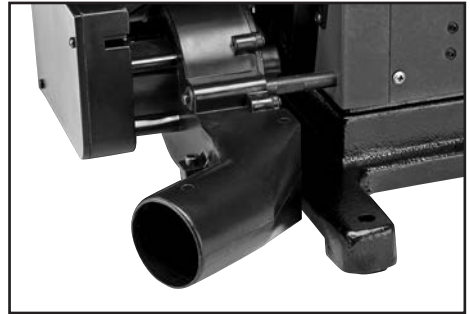


FIG.9

9. OPERATION AND USE

Important: Make sure that the mains voltage matches the voltage stated on the machines rating plate.

9.1 ON/OFF SWITCH - FIG. 10

The sander is fitted with a no-volt on/off switch. In the event of a power failure the machine will have to be manually restarted.

To switch the machine on, push the button marked I.

To switch the machine off, both normally and in an emergency, push the button marked O.

Caution: This machine is designed solely for wood. Any other materials will cause damage to the product or risk of fire.

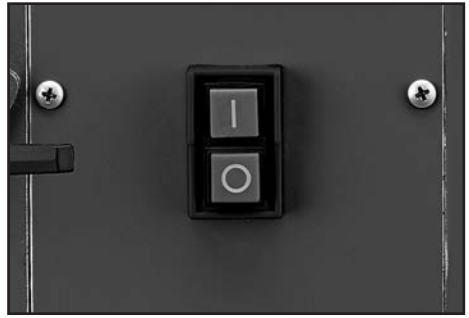


FIG.10

9.2 HORIZONTAL SANDING - FIG. 11

When using the sanding belt in the horizontal position, to perform surface or edge sanding, the belt work table (9) must always be used.

Always hold the workpiece firmly keeping your fingers away from the sanding belt.

Always keep the end of the workpiece against the belt worktable and move the work evenly across the sanding belt. Apply only enough pressure to allow the sanding belt to remove material. Use extra caution when sanding very thin pieces.

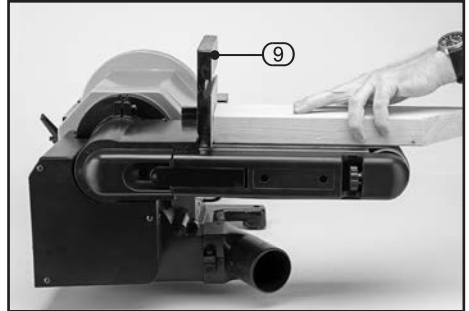


FIG.11

9.3 VERTICAL SANDING - FIG. 12

This belt sander can also be used in the vertical position to allow more vigorous sanding than the disc can provide. The work table must be used at all times when sanding vertically.

Always hold the workpiece firmly keeping your fingers away from the sanding belt.

Always keep the workpiece against the belt worktable and move the work evenly across the sanding belt. Apply only enough pressure to allow the sanding belt to remove material. Use extra caution when sanding very thin pieces.



FIG.12

9.4 INSIDE CURVE SANDING - FIG. 13

The sanding belt can be used to sand curves, using the idler drum end of the sanding belt.

To sand curves, hold workpiece against idler drum end of sanding belt, and with light pressure, move workpiece slowly back and forth across surface of sanding belt.

Never attempt to sand ends of workpieces on the idler drum - use the disc or the belt in the vertical position for this.

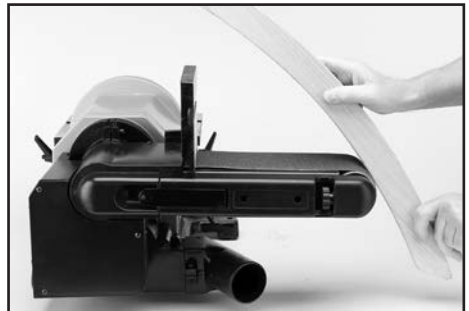


FIG.13

9. OPERATION AND USE

9.5 OUTSIDE CURVE SANDING - FIG. 14

Always sand on the right (downward) side of the sanding disc (4) as shown. Sanding on the left (upward) side of the sanding disc could cause the workpiece to fly up which could be hazardous. Freehand sanding of outside curves should be done on the sanding disc. Keep fingers a minimum of 1 inch from the sanding disc.

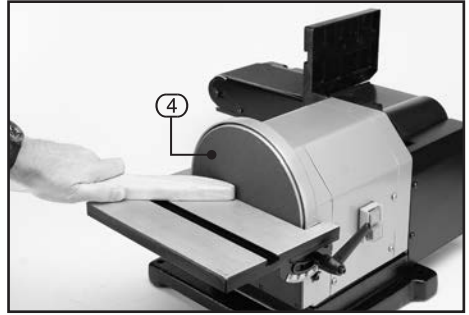


FIG.14

Note: Remove the plug from the socket before carrying out adjustment, servicing or maintenance.

9.6 MITRE GAUGE ADJUSTMENT - FIGS. 15-16

A mitre gauge (6) is supplied with your sander and can be used with both sanding tables. The mitre gauge body can be adjusted from 0° to 60° right or left for angle or mitre sanding.

For disc sanding, always brace your workpiece against the mitre gauge for maximum stability. We do not recommend disc sanding without a mitre gauge unless sanding curves.

To install the mitre gauge into either table, slide the bar into the table slot. To adjust the angle of the guide loosen the locking knob and rotate before tightening the knob again.

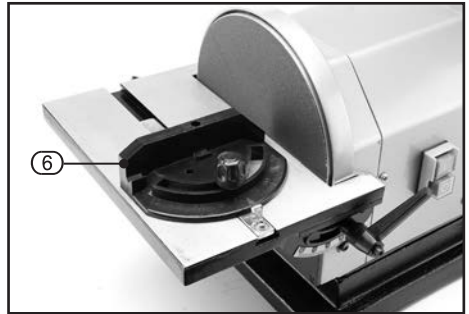


FIG.15

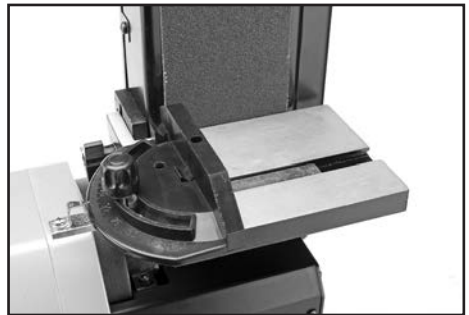


FIG.16

9. OPERATION AND USE

9.7 REPLACING THE SANDING DISC - FIG. 17

Having removed the work table, remove the disc cover (4.1) from the front of your machine, and peel off the old sanding disc.

The sanding discs for this machine have hook and loop backing so the new disc can be applied without the need for any adhesive or tools.

Rotate the disc by hand and check to make sure the disc is firmly attached without any bumps or wrinkles.

Re-install the disc cover and work table. Make sure the disc does NOT rub against the disc cover once installed.

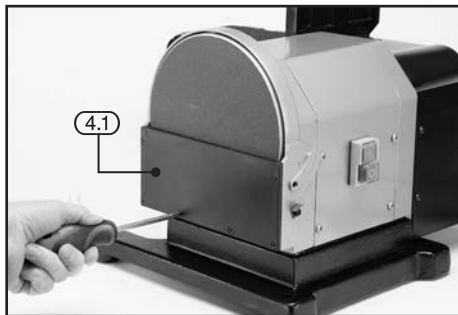


FIG.17

9.8 REPLACING THE SANDING BELT - FIG. 18

Warning! To avoid injury from accidental starting, turn the power switch "OFF" and remove the plug from the power supply before removing or installing sanding belts.

- Remove the belt work table.
- Loosen the two screws and remove the belt exhaust.
- Pull out the belt tension lever (10) to release the tension of the belt.
- Loosen the inner hex screw by turning it counter clockwise.
- Remove the sanding belt from both sanding drums.
- Place a new sanding belt over the drums. Make sure the arrow located on the inside of the new belt is pointing the same way as the direction of movement.
- Push in the tension lever to apply the belt tension.
- Push the belt round by hand to check to see if it tends to run to one side or the other of the two drums. If it does adjust the tracking.
- Replace/retighten all screws and items previously removed before use.

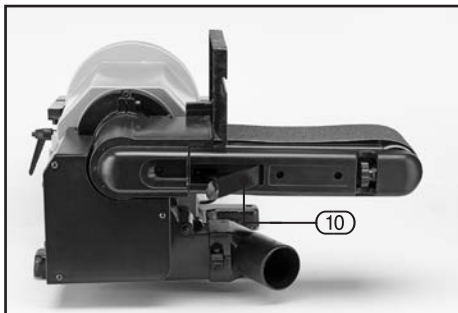


FIG.18

9.9 ADJUSTING BELT TRACKING

The belt tracking needs to be adjusted any time you change or replace the sanding belt, or if the belt moves to one side or the other of the sanding bed during operations.

To check and adjust sanding belt tracking:

- Observe the belt as it passes over the end roller, where there should be no creep to one side. If it does creep, switch machine OFF.
- Adjacent to the belt tensioning lever is the tracking adjustment knob (11). Slightly turn the tracking adjustment knob clockwise if the belt creeps towards the disc, or counter clockwise if the belt creeps away from the disc.

10. MAINTENANCE AND TROUBLESHOOTING

10.1 MAINTENANCE

Regular inspection and cleaning reduces the necessity for maintenance operations and will keep your tool in good working condition.

The motor must be correctly ventilated during tool operation. Avoid blocking the air inlets and vacuum the ventilation slots regularly.

If the replacement of the supply cord is necessary, this has to be done by the manufacturer or his agent in order to avoid a safety hazard.

A coat of wax polish applied to the worktable will make it easier to feed the work while finishing. Do not apply wax to the abrasive belt table because the belt could pick up the wax and deposit it on the pulleys, causing the belt to slip.

10.2 TROUBLESHOOTING GUIDE

Warning! For your own safety always turn the main switch on the machine “OFF” and remove the plug from the power supply before carrying out any maintenance or troubleshooting.

Problem	Possible Cause	Remedy
Motor does not start.	1. Defective ON/OFF switch.	1. Replace defective parts before using again.
	2. Burned out motor.	2. Any attempt to repair this motor may create a HAZARD unless repair is done by a qualified service technician.
Machine slows down when sanding.	1. Drive belt too tight.	1. Decrease belt tension.
	2. Applying too much pressure to workpiece.	2. Ease up on pressure.
Sanding belt runs off pulleys.	1. Not tracking properly.	1. Adjust tracking.
Wood burns while sanding.	1. Sanding disc or belt is glazed with sap.	1. Replace disc or belt.

Important: Please note all repairs/service should be carried out by a qualified person.

11. EXPLANATION OF SYMBOLS

11.1 EXPLANATION OF SYMBOLS



Read the instruction manual.



Wear face mask and safety glasses.



Disable the machine before attempting to maintain it.



WEEE –
Waste Electrical & Electronic Equipment.

Do not dispose of Waste Electrical & Electronic Equipment in with domestic rubbish.

12. DISPOSAL

12.1 DISPOSAL

- At the end of the machine's working life, or when it can no longer be repaired, ensure that it is disposed of according to national regulations.
- Contact your local authority for details of collection schemes in your area.

In all circumstances:

- Do not dispose of power tools with domestic waste.
- Do not incinerate.
- Do not dispose of WEEE* as unsorted municipal waste.



* Waste Electrical & Electronic Equipment.

CONTACTS

Draper Tools Limited, Hursley Road,
Chandler's Ford, Eastleigh, Hampshire. SO53 1YF. U.K.

Help Line: (023) 8049 4344

Sales Desk: (023) 8049 4333

Internet: drapertools.com

E-mail: sales@drapertools.com

General Enquiries: (023) 8026 6355

Service/Warranty Repair Agent:

For aftersales servicing or warranty repairs, please contact the Draper Tools Help Line for details of an agent in your local area.

YOUR DRAPER STOCKIST

TACM1020

© Published by Draper Tools Limited.

No part of this publication may be reproduced, stored in a retrieval system or transmitted in any form or by any means, electronic, mechanical photocopying, recording or otherwise without prior permission in writing from Draper Tools Ltd.