

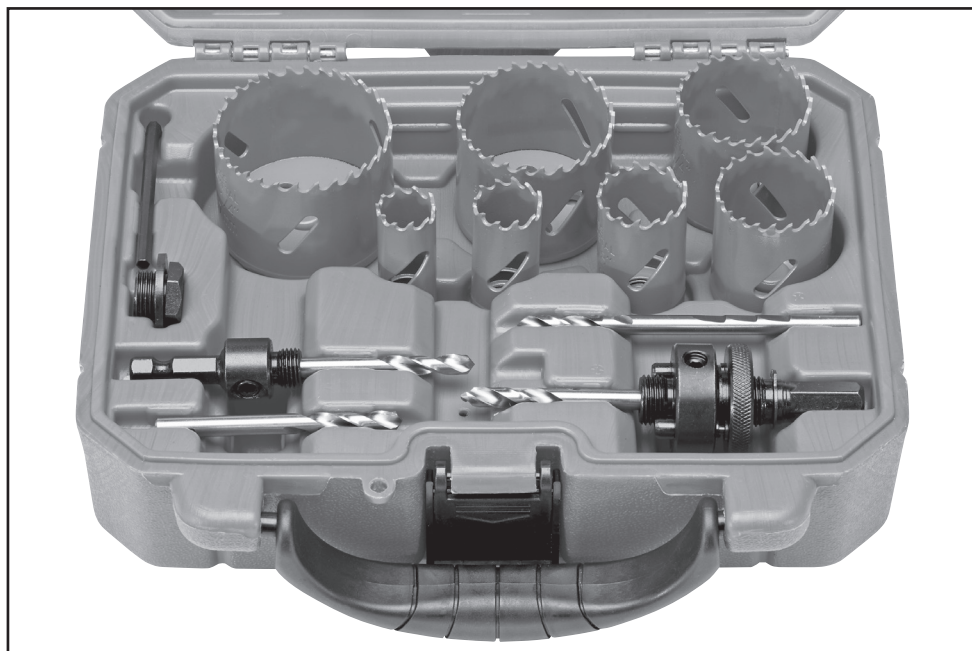


DRAPER[®]

ELECTRICIAN'S/PLUMBER'S

HOLE SAW KITS

99325, 99326



These instructions accompanying the product are the original instructions. This document is part of the product, keep it for the life of the product passing it on to any subsequent holder of the product. Read all these instructions before assembling, operating or maintaining this product.

This manual has been compiled by Draper Tools describing the purpose for which the product has been designed, and contains all the necessary information to ensure its correct and safe use. By following all the general safety instructions contained in this manual, it will ensure both product and operator safety, together with longer life of the product itself.

All photographs and drawings in this manual are supplied by Draper Tools to help illustrate the operation of the product.

Whilst every effort has been made to ensure the accuracy of information contained in this manual, the Draper Tools policy of continuous improvement determines the right to make modifications without prior warning.

1. TITLE PAGE

1.1 INTRODUCTION:

USER MANUAL FOR: Electrician's/Plumber's Hole Saw Kits

Stock No's: 99325, 99326

Part No's: HSE/12, HSP/13

1.2 REVISIONS:

Date first published July 2020.

As our user manuals are continually updated, users should make sure that they use the very latest version.

Downloads are available from:

<http://drapertools.com/manuals>

Draper Tools Limited, Hursley Road
Chandler's Ford, Eastleigh, Hampshire
SO53 1YF. UK

Website: drapertools.com

Product Help Line: +44 (0) 23 8049 4344

General Fax: +44 (0) 23 8026 0784

1.3 UNDERSTANDING THIS MANUALS SAFETY CONTENT:

Warning! – Information that draws attention to the risk of injury or death.

Important – Information that draws attention to the risk of damage to the product or surroundings.

1.4 COPYRIGHT © NOTICE:

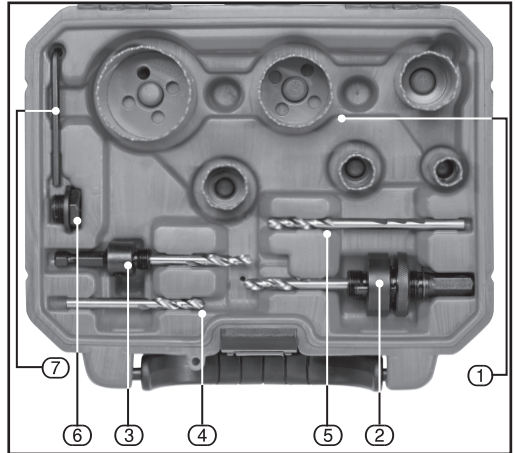
Copyright © Draper Tools Limited.

Permission is granted to reproduce this publication for personal and educational use only. Commercial copying, redistribution, hiring or lending is prohibited. No part of this publication may be stored in a retrieval system or transmitted in any other form or means without written permission from Draper Tools Limited. In all cases this copyright notice must remain intact.

2. TECHNICAL DESCRIPTION

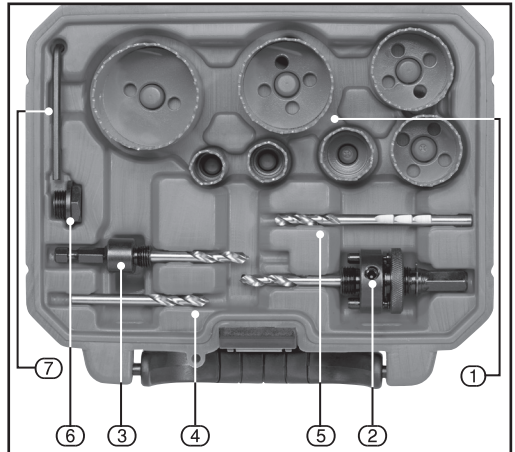
Note: For details of our full range of accessories and consumables, please visit drapertools.com

2.1 IDENTIFICATION (Stock No.99325)



- ① 6 × Hole saws: 16,20,25,32,40 and 51mm.
- ② Locking arbor.
- ③ Simple arbor.
- ④ Pilot drill.
- ⑤ Pilot drill.
- ⑥ Adaptor.
- ⑦ Hex. key.

2.2 IDENTIFICATION (Stock No.99326)



- ① 7 × Hole saws: 19,22,29,38,44,51 and 57mm.
- ② Locking arbor.
- ③ Simple arbor.
- ④ Pilot drill.
- ⑤ Pilot drill.
- ⑥ Adaptor.
- ⑦ Hex. key.

3. HEALTH & SAFETY

3.1 GENERAL SAFETY INSTRUCTIONS FOR HOLE SAW USE

Ensure:

- To inspect the tool before every use – do not use if parts are loose or damaged.
- Operation at correct speed (see table).
- Application of sufficient pressure when cutting.
- To set pilot drill 3mm proud of saw teeth or drill pilot hole first with HSS 6.35mm (1/4") drill.
- Use of a top grade lubricant suitable for the material being worked.
- Correct fitting in drill chuck and fully tighten.
- Horizontal and perpendicular use to workpiece.
- If possible, use of hole saw in bench drill or lathe for accuracy and safety.
- Correct arbor is securely fitted to blade before use. Drive pins where applicable must be fully engaged within the blade holes.
- To wear the appropriate and approved eye, hearing and breathing protection. Keep hands away from rotating parts.

Do not:

- Run power tool at faster than recommended speed. This reduces efficiency and wears the product out sooner.
- Allow teeth to rub on metal without exerting pressure. Rubbing will dull cutting edge.
- Set drill any longer than the thickness of workpiece to prevent damage to saw teeth and drill on breakthrough.
- Operate without a lubricant (except on cast iron) as this will generate excess heat and damage the blade.
- Operate offset or loose in chuck.
- Try to operate at an angle, as blade can distort or break.
- Allow drilling machine to wobble or stray during sawing.
- Saw with the blade loose as this can cause damage to both blade and arbor and possibly cause injury.
- Let loose hair or clothing get anywhere near the revolving parts.

Failure to observe the above points could result in tool failure and/or injury and could negate your rights.

4. SET UP & OPERATION

4.1 ASSEMBLING THE HOLE SAW

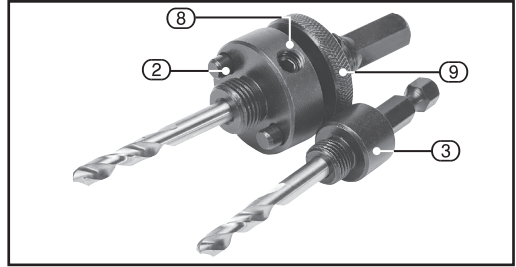
Simple arbor:

- Select the required size hole saw for the job in hand.

- Arbor (3) is for 14 – 30mm hole saws.
- Adaptor (6) connects to arbor (3) so that the arbor can take hole saws 32 – 152mm.

Locking arbor:

- The grub screw is for locking the arbor (2) onto the drill bit.
- To use, unscrew locking pins, fit hole saw, align holes with locking pins and re-tighten.



4.2 RECOMMENDED OPERATING SPEEDS (r/min)

Size (Inches)	Size (mm)	Mild Steel	Tool & Stainless Steel	Cast Iron	Brass	Aluminium
5/8	16	530	275	365	730	825
11/16	17	500	250	330	665	750
3/4	19	460	230	300	600	690
25/32	20	460	230	300	600	690
7/8	22	390	195	260	520	585
1	25	350	175	235	470	525
1 1/8	29	300	150	200	400	450
1 1/4	32	275	140	180	360	410
1 3/8	35	250	125	165	330	375
1 1/2	38	230	115	150	300	345
1 5/8	41	210	105	140	280	315
1 11/16	43	205	100	135	270	305
1 3/4	44	195	95	130	260	295
1 7/8	48	180	90	120	240	270
2	51	170	85	115	230	255
2 1/8	54	160	80	105	210	240
2 1/4	57	150	75	100	200	230
2 3/8	60	140	70	95	190	220
2 1/2	64	135	70	90	180	205
2 5/8	67	130	65	85	170	195
2 3/4	70	125	60	80	160	185
3	76	115	55	75	150	170
3 1/2	89	95	45	65	125	145
3 5/8	92	95	45	60	120	140
3 3/4	95	90	45	60	120	135
4	102	85	40	55	115	125
4 1/8	105	85	40	55	110	120
4 1/2	114	75	35	50	100	105

6. DISPOSAL

6.1 DISPOSAL

- At the end of the machine's working life, or when it can no longer be repaired, ensure that it is disposed of according to national regulations.
- Contact your local authority for details of collection schemes in your area.

In all circumstances:

- Do not dispose of power tools with domestic waste.
- Do not incinerate.

7. EXPLANATION OF SYMBOLS

7.1 EXPLANATION OF SYMBOLS



Read the instruction manual.



Wear face mask, safety glasses and ear defenders.



Wear protective gloves.



Do not abandon into the environment.



Warning!



Millimetres.



Hexagon drive.



Suitable for use on brick/masonry.



Suitable for use on wood.



Suitable for use on ferrous metals.



Suitable for use on non-ferrous metals.



Suitable for use on plastics.

CONTACTS

Draper Tools Limited, Hursley Road,
Chandler's Ford, Eastleigh, Hampshire.
SO53 1YF. U.K.

Website: drapertools.com

email: sales@drapertools.com

Product Help Line: +44 (0) 23 8049 4344

Sales Desk: +44 (0) 23 8049 4333

General Enquiries: +44 (0) 23 8026 6355

Service/Warranty Repair Agent:

For aftersales servicing or warranty repairs, please contact the **Draper Tools Help Line** for details of an agent in your local area.

YOUR DRAPER STOCKIST

MSCH0720

©Published by Draper Tools Limited.

No part of this publication may be reproduced, stored in a retrieval system or transmitted in any form or by any means, electronic, mechanical photocopying, recording or otherwise without prior permission in writing from Draper Tools Ltd.