

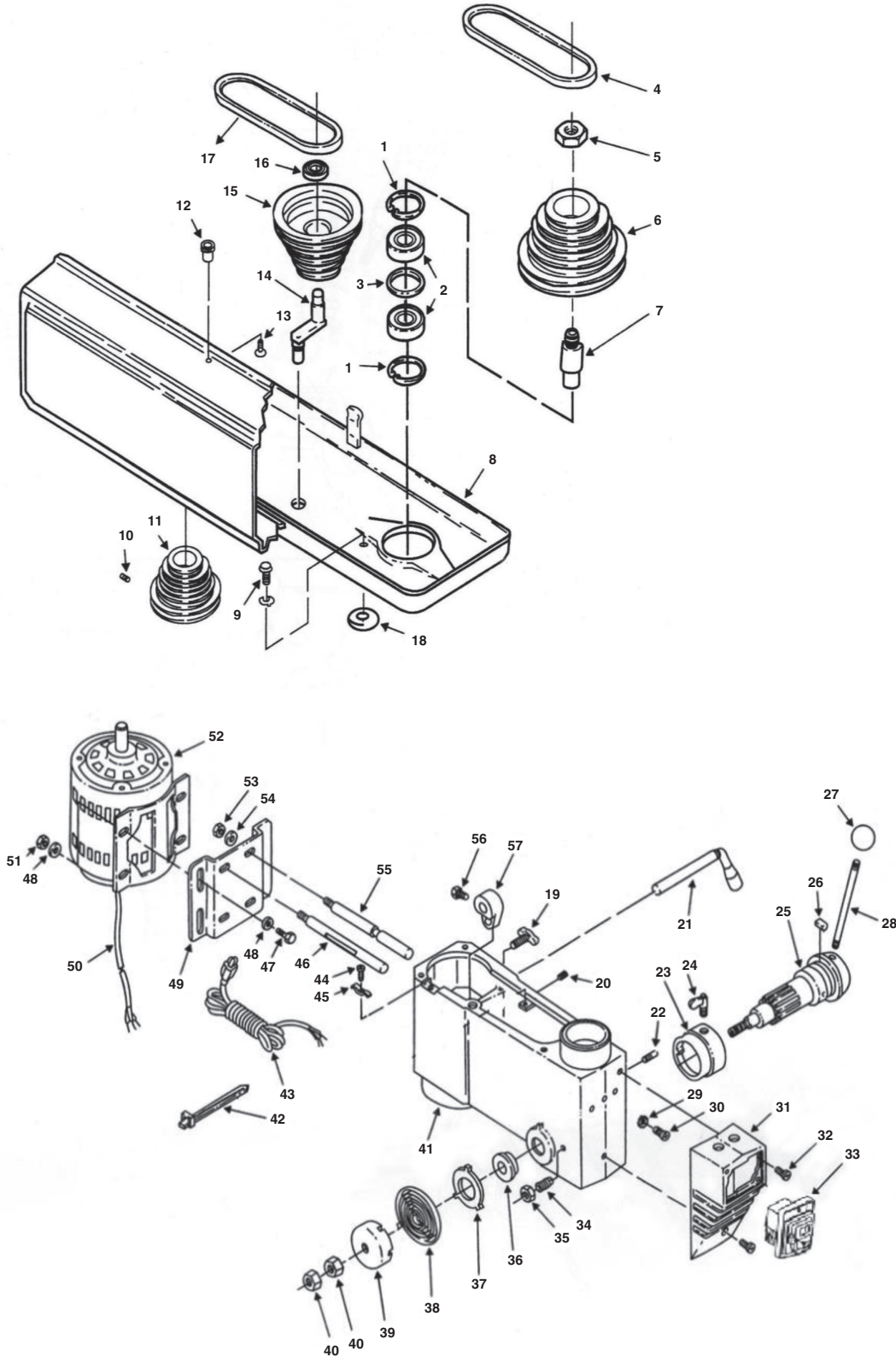
DRAPER[®]

230V 12 SPEED

GENERAL DUTY FLOOR DRILL

GB

02017 – GD20/12EF SPARE PARTS DRAWING



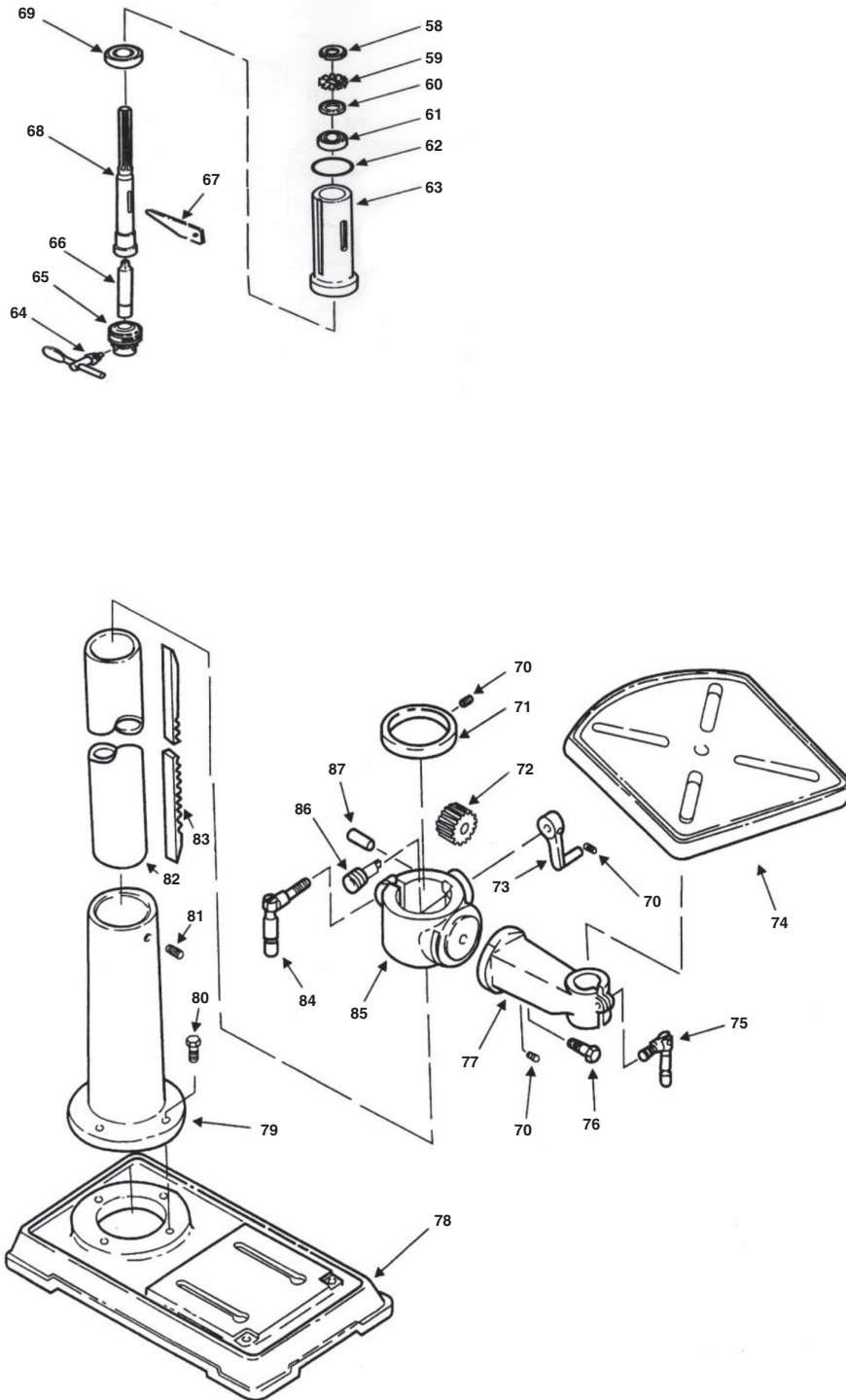
DRAPER[®]

230V 12 SPEED

GB

GENERAL DUTY FLOOR DRILL

02017 – GD20/12EF SPARE PARTS DRAWING





230V 12 SPEED



GENERAL DUTY FLOOR DRILL

02017 – GD20/12EF SPARE PARTS LISTING

KEY No.	PART No.	STOCK No.	DESCRIPTION
1 2 3 5 7	GD20/12E-A7	22114	Pulley Insert Assembly
4	GD20/12E-4	22116	Belt M24
6	GD20/12E-6	22117	Spindle Pulley
8	GD20/12E-8	22661	Pulley Cover
9			(NP) Screw
10			(NP) Screw M10x12
11	GD20/12E-11	23019	Motor Pulley
12			(NP) Screw
13			(NP) Screw M5x12
14 15 16	GD20/12E-A15	23303	Center Pulley Assembly
17	GD20/12E-17	23645	Belt M26
18			(NP) Shake-Proof Washer
19	GD20/12E-19	23675	Slide Bar Bolt
20			(NP) Screw M10x12
21			(NP) Shifter Bar
22			(NP) Pin
23 24 25 26 27 28	GD20/12E-A23	23678	Depth Adjusting Assembly
29			(NP) Locking Washer
30			(NP) Screw M5x8
31 33	GD20/12E-A31	23681	Switch Box Assembly
32			(NP) Screw M5x16
34			(NP) Screw 10x27
35			(NP) Nut M10
36 37 38 39	GD20/12E-A38	23682	Volute Spring Assembly
40			(NP) Nut M12
41			(NP) Headstock
42			(NP) Clip
43			(NP) Power Cord
44			(NP) Screw
45			(NP) Clamp

KEY No.	PART No.	STOCK No.	DESCRIPTION
46			(NP) Bracket
47			(NP) Screw
48			(NP) Washer 8
49	GD20/12EF-49	23723	Motor Base
50			(NP) Cord
51			(NP) Nut M8
52	GD20/12EF-52	23685	Motor
53			(NP) Nut M12
54			(NP) Washer 12
55			(NP) Motor Bracket
56			(NP) Screw M8x16
57	GD20/12EF-57	23726	Adjusting Lever
58 59 60 61 62 63 68 69	GD20/12E-A68	23688	Spindle Assembly
64 65 66	GD20/12E-A64	23694	Drill Chuck Kit
67	GD20/12E-67	23695	Wedge
70 71	GD20/12E-A71	23696	Rack Collar
70 75 76 77	GD20/12E-A77	23698	Table Arm Bracket Assembly
70 72 73 84 85 86 87	GD20/12E-A85	23699	Table Bracket Assembly
74	GD20/12E-74	23700	Table
78	GD20/12E-78	23703	Base
79	GD20/12EF-79	23714	Column shoulder
80			(NP) Screw M10x40
81			(NP) Screw M10x12
82	GD20/12EF-82	23730	Column
83	GD20/12EF-83	23715	Rack