

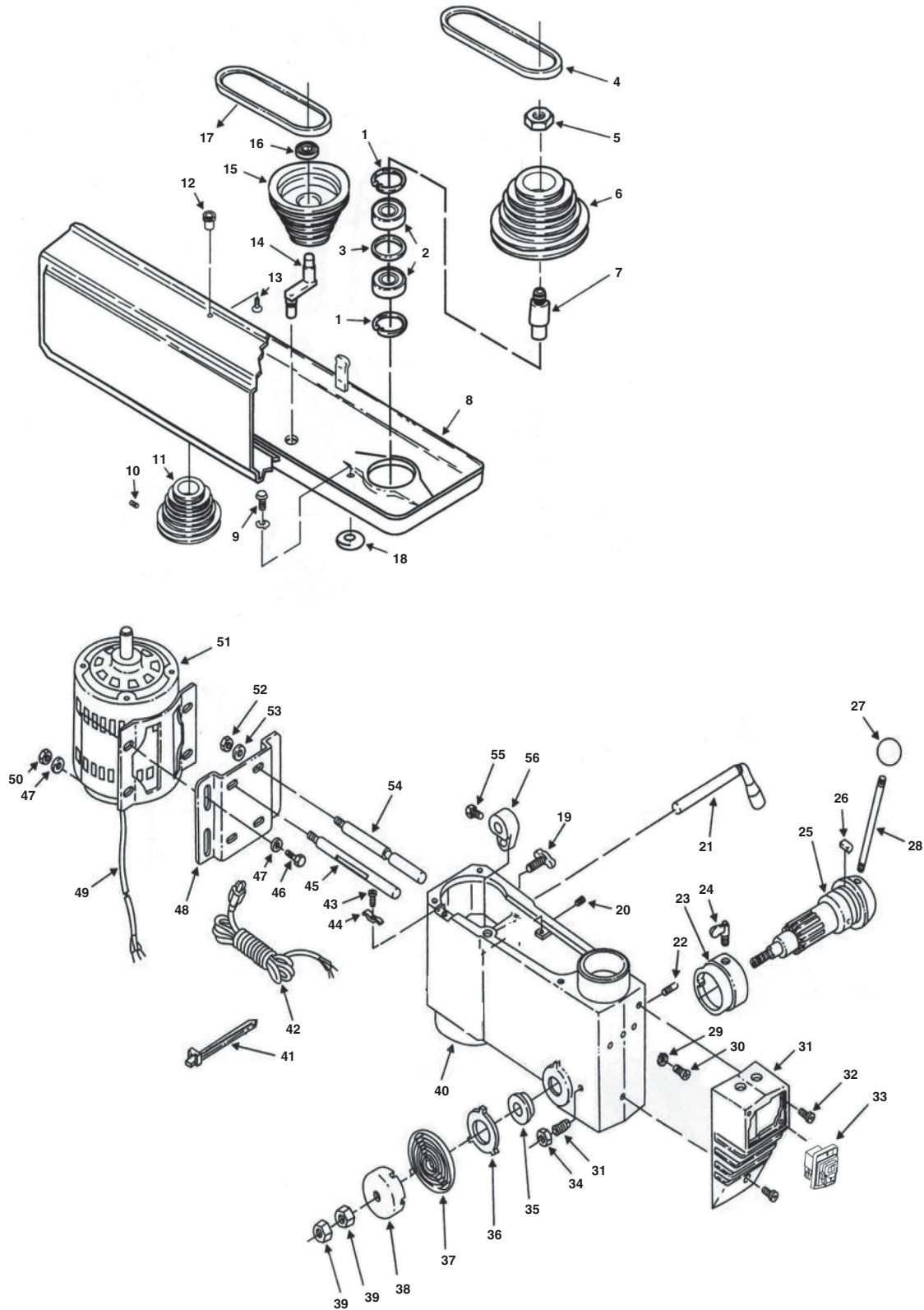
DRAPER[®]

230V 16 SPEED

GB

GENERAL DUTY FLOOR DRILL

02019 – GD25/12EF SPARE PARTS DRAWING



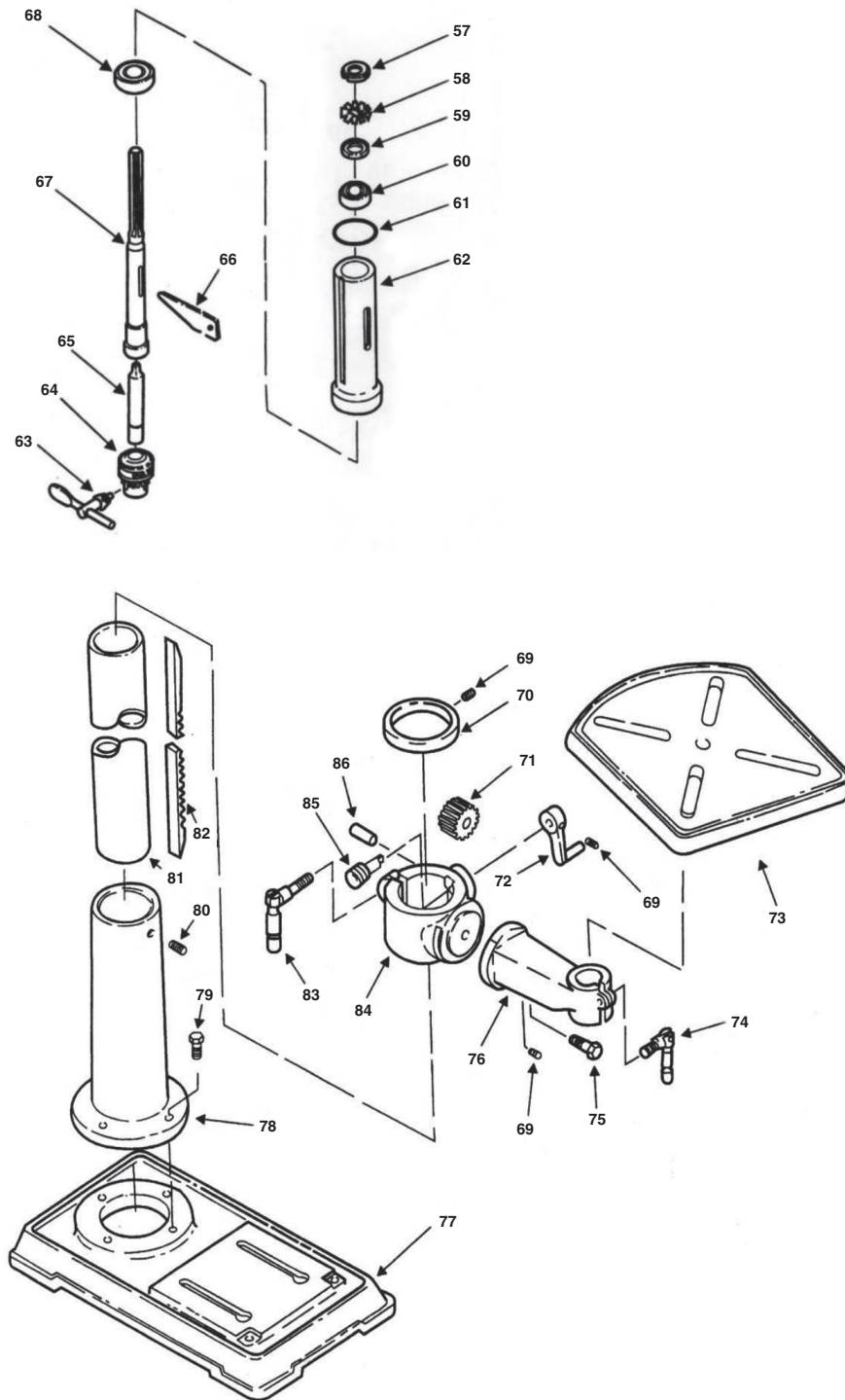
DRAPER[®]

230V 16 SPEED

GB

GENERAL DUTY FLOOR DRILL

02019 – GD25/12EF SPARE PARTS DRAWING





230V 16 SPEED



GENERAL DUTY FLOOR DRILL

02019 – GD25/12EF SPARE PARTS LISTING

| KEY No. | PART No. | STOCK No. | DESCRIPTION |
|----------------------------------|---------------|-----------|--------------------------|
| 1 2 3 5 7 | GD25/12EF-A7 | 23731 | Pulley Insert Assembly |
| 4 | GD25/12EF-4 | 23734 | Belt A27 |
| 6 | GD25/12EF-6 | 23735 | Spindle Pulley |
| 8 | GD25/12EF-8 | 23736 | Pulley Cover |
| 9 | | | (NP) Screw |
| 10 | | | (NP) Screw M10x12 |
| 11 | GD25/12EF-11 | 23739 | Motor Pulley |
| 12 | | | (NP) Screw |
| 13 | | | (NP) Screw M5x12 |
| 14 15 16 | GD25/12EF-A15 | 23740 | Center Pulley Assembly |
| 17 | GD25/12EF-17 | 23743 | Belt A29 |
| 18 | | | (NP) Shake-Proof Washer |
| 19 | GD25/12EF-19 | 23747 | Slide Bar Bolt |
| 20 | | | (NP) Screw M10x12 |
| 21 | | | (NP) Shifter Bar |
| 22 | | | (NP) Pin |
| 23 24 25 26 27 28 | GD25/12EF-A25 | 23750 | Depth Adjusting Assembly |
| 29 | | | (NP) Locking Washer |
| 30 | | | (NP) Screw M5x8 |
| 31 33 | GD25/12EF-A33 | 23681 | Switch Box Assembly |
| 32 | | | (NP) Screw M5x16 |
| 31 | | | (NP) Screw 10x27 |
| 34 | | | (NP) Nut M10 |
| 35 36 37 38 | GD25/12EF-A37 | 23753 | Volute Spring Assembly |
| 39 | | | (NP) Nut M12 |
| 40 | | | (NP) Headstock |
| 41 | | | (NP) Clip |
| 42 | | | (NP) Power Cord |
| 43 | | | (NP) Screw |
| 44 | | | (NP) Clamp |

| KEY No. | PART No. | STOCK No. | DESCRIPTION |
|--|---------------|-----------|----------------------------|
| 45 | | | (NP) Bracket |
| 46 | | | (NP) Screw |
| 47 | | | (NP) Washer 8 |
| 48 | GD25/12EF-48 | 23755 | Motor Base |
| 49 | | | (NP) Cord |
| 50 | | | (NP) Nut M8 |
| 51 | GD25/12EF-51 | 23760 | Motor |
| 52 | | | (NP) Nut M12 |
| 53 | | | (NP) Washer 12 |
| 54 | | | (NP) Motor Bracket |
| 55 | | | (NP) Screw M8x16 |
| 56 | GD25/12EF-56 | 23761 | Adjusting Lever |
| 57 58 59 60 61 62 67 68 | GD25/12EF-A67 | 23762 | Spindle Assembly |
| 63 64 65 | GD25/12EF-A64 | 23764 | Drill Chuck Kit |
| 66 | GD25/12EF-66 | 23765 | Wedge |
| 69 70 | GD25/12EF-A70 | 23768 | Rack Collar |
| 69 74 75 76 | GD25/12EF-A76 | 23769 | Table Arm Bracket Assembly |
| 69 71 72 83 84 85 86 | GD25/12EF-A84 | 23770 | Table Bracket Assembly |
| 73 | GD25/12EF-73 | 23777 | Table |
| 77 | GD25/12EF-77 | 23780 | Base |
| 78 | GD25/12EF-78 | 23781 | Column shoulder |
| 79 | | | (NP) Screw M10x40 |
| 80 | | | (NP) Screw M10x12 |
| 81 | GD25/12EF-81 | 23785 | Column |
| 82 | GD25/12EF-82 | 23814 | Rack |