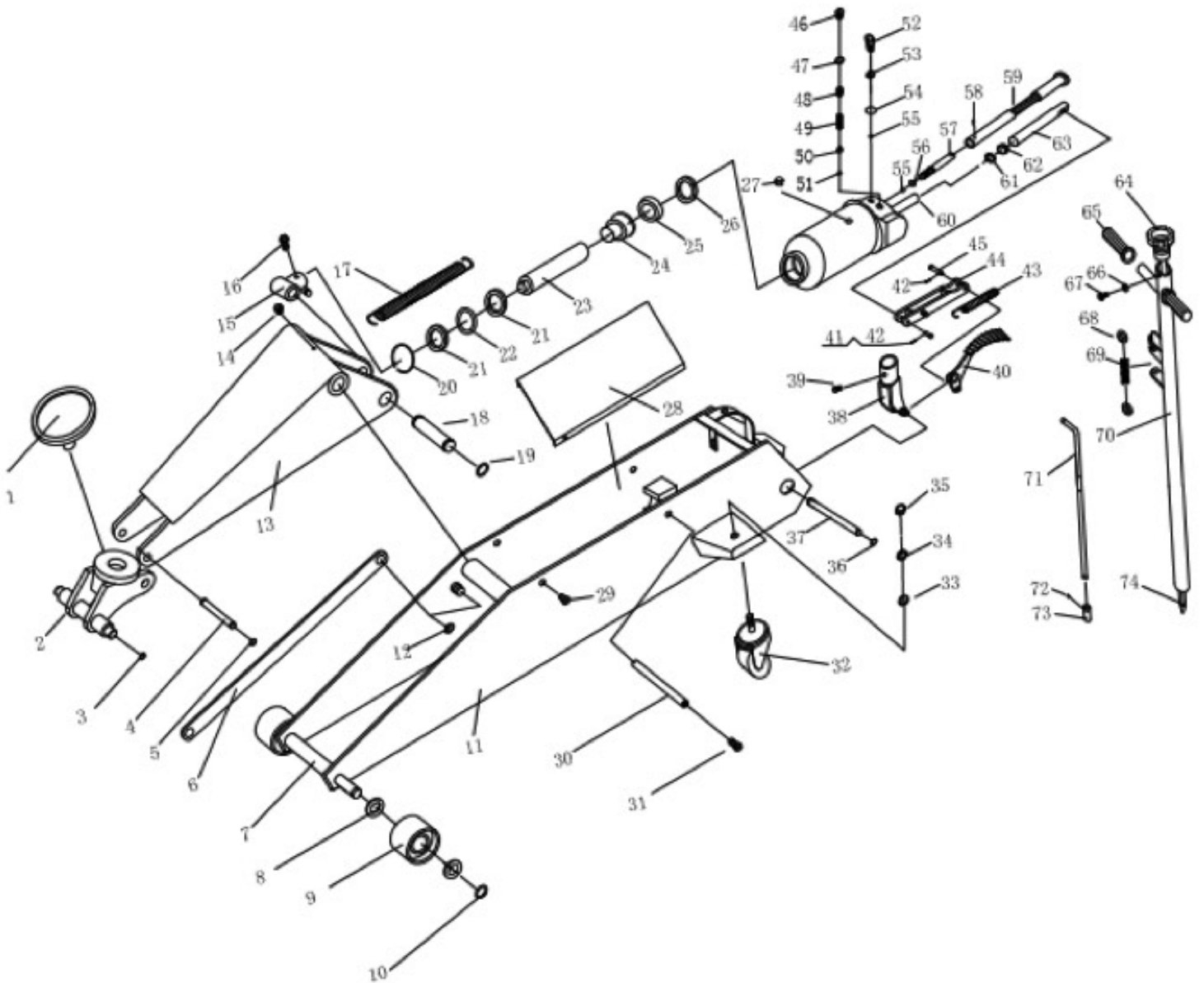




# 3 TONNE TROLLEY JACK

03463 - TJ3LR SPARE PARTS DRAWING





# 3 TONNE TROLLEY JACK

## 03463 - TJ3LR SPARE PARTS LISTING

| KEY No. | PART No.  | STOCK No. | DESCRIPTION       |
|---------|-----------|-----------|-------------------|
| 1       | YTJ3LR-1  | 48829     | Saddle            |
| 2       | YTJ3LR-2  | 48831     | Bracket           |
| 3       | YTJ3LR-3  | 48832     | Check Ring        |
| 4       | YTJ3LR-4  | 48836     | Bracket Axle Pin  |
| 5       | YTJ3LR-5  | 48846     | Check Ring        |
| 6       | YTJ3LR-6  | 48871     | Connecting Bar    |
| 7       | YTJ3LR-7  | 48873     | Front Axle        |
| 8       | YTJ3LR-8  | 48879     | Washer            |
| 9       | YTJ3LR-9  | 48880     | Front Wheel       |
| 10      | YTJ3LR-10 | 48883     | Spring Collar     |
| 11      | YTJ3LR-11 | 48884     | Chassis           |
| 12      | YTJ3LR-12 | 48916     | Check Ring        |
| 13      | YTJ3LR-13 | 48917     | Lift Arm          |
| 14      | YTJ3LR-14 | 48944     | Oil Cup           |
| 15      | YTJ3LR-15 | 48945     | Connector Sleeve  |
| 16      | YTJ3LR-16 | 48946     | Screw             |
| 17      | YTJ3LR-17 | 48947     | Spring            |
| 18      | YTJ3LR-18 | 49011     | Axle Pin          |
| 19      | YTJ3LR-19 | 49095     | Check Ring        |
| 20      | YTJ3LR-20 | 49096     | Check Ring        |
| 21      | YTJ3LR-21 | 49116     | Spacer Sleeve     |
| 22      | YTJ3LR-22 | 49118     | O-Ring            |
| 23      | YTJ3LR-23 | 49161     | Piston Rod        |
| 24      | YTJ3LR-24 | 49162     | Piston Top        |
| 25      | YTJ3LR-25 | 49165     | Nylon Insert Ring |
| 26      | YTJ3LR-26 | 49244     | O-Ring            |
| 27      | YTJ3LR-27 | 49246     | Oil Cap           |
| 28      | YTJ3LR-28 | 49248     | Top Plate         |
| 29      | YTJ3LR-29 | 49296     | Screw             |
| 30      | YTJ3LR-30 | 49297     | Axle Pin          |
| 31      | YTJ3LR-31 | 49298     | M10x25 Bolt       |
| 32      | YTJ3LR-32 | 49299     | Castor            |
| 33      | YTJ3LR-33 | 49300     | Washer            |
| 34      | YTJ3LR-34 | 49302     | Lock Washer       |
| 35      | YTJ3LR-35 | 49353     | M12 Nut           |
| 36      | YTJ3LR-36 | 49365     | Check Ring        |
| 37      | YTJ3LR-37 | 49367     | Axle Pin          |
| 38      | YTJ3LR-38 | 49369     | Piston Crank      |

| KEY No. | PART No.  | STOCK No. | DESCRIPTION                             |
|---------|-----------|-----------|---|
| 39      | YTJ3LR-39 | 49370     | Screw                                   |
| 40      | YTJ3LR-40 | 49371     | Foot Pedal                              |
| 41      | YTJ3LR-41 | 49378     | Pin                                     |
| 42      | YTJ3LR-42 | 49381     | R-Pin                                   |
| 43      | YTJ3LR-43 | 49413     | Spring                                  |
| 44      | YTJ3LR-44 | 49425     | Connecting Bar                          |
| 45      | YTJ3LR-45 | 49435     | Pin                                     |
| 46      | YTJ3LR-46 | 49437     | Screw                                   |
| 47      | YTJ3LR-47 | 49438     | O-Ring                                  |
| 48      | YTJ3LR-48 | 49451     | Screw                                   |
| 49      | YTJ3LR-49 | 49453     | Pressure Spring                         |
| 50      | YTJ3LR-50 | 49454     | Ball Cup                                |
| 51      | YTJ3LR-51 | 49456     | Ball 3.5mm                              |
| 52      | YTJ3LR-52 | 49461     | High Pressure Screw                     |
| 53      | YTJ3LR-53 | 49469     | Metal Pad                               |
| 54      | YTJ3LR-54 | 49475     | Ball 9mm                                |
| 55      | YTJ3LR-55 | 49667     | Ball 6mm                                |
| 56      | YTJ3LR-56 | 50010     | Oil Seal                                |
| 57      | YTJ3LR-57 | 50011     | Unloading Valve                         |
| 58      | YTJ3LR-58 | 50012     | Pin                                     |
| 59      | YTJ3LR-59 | 50027     | Axle Spring                             |
| 60      | YTJ3LR-60 | 50028     | Cylinder Pump                           |
| 61      | YTJ3LR-61 | 50167     | Collar                                  |
| 62      | YTJ3LR-62 | 50219     | PTFE Ring                               |
| 63      | YTJ3LR-63 | 50221     | Mandrel                                 |
| 64      | YTJ3LR-64 | 50237     | Release Screw                           |
| 65      | YTJ3LR-65 | 50419     | Hand Grip                               |
| 66      | YTJ3LR-66 | 50459     | Washer                                  |
| 67      | YTJ3LR-67 | 50515     | Screw                                   |
| 68      | YTJ3LR-68 | 50574     | Check Ring                              |
| 69      | YTJ3LR-69 | 50612     | Spring                                  |
| 70      | YTJ3LR70  | 50808     | Handle                                  |
| 71      | YTJ3LR-71 | 50834     | Lock Handle                             |
| 72      | YTJ3LR-72 | 50909     | Pin                                     |
| 73      | YTJ3LR-73 | 50981     | Fix Shaft                               |
| 74      | YTJ3LR-74 | 51063     | Mandrel                                 |
| 75      | YTJ3LR-75 | 51121     | Complete Pump Assy (Part 20-27 & 46-63) |