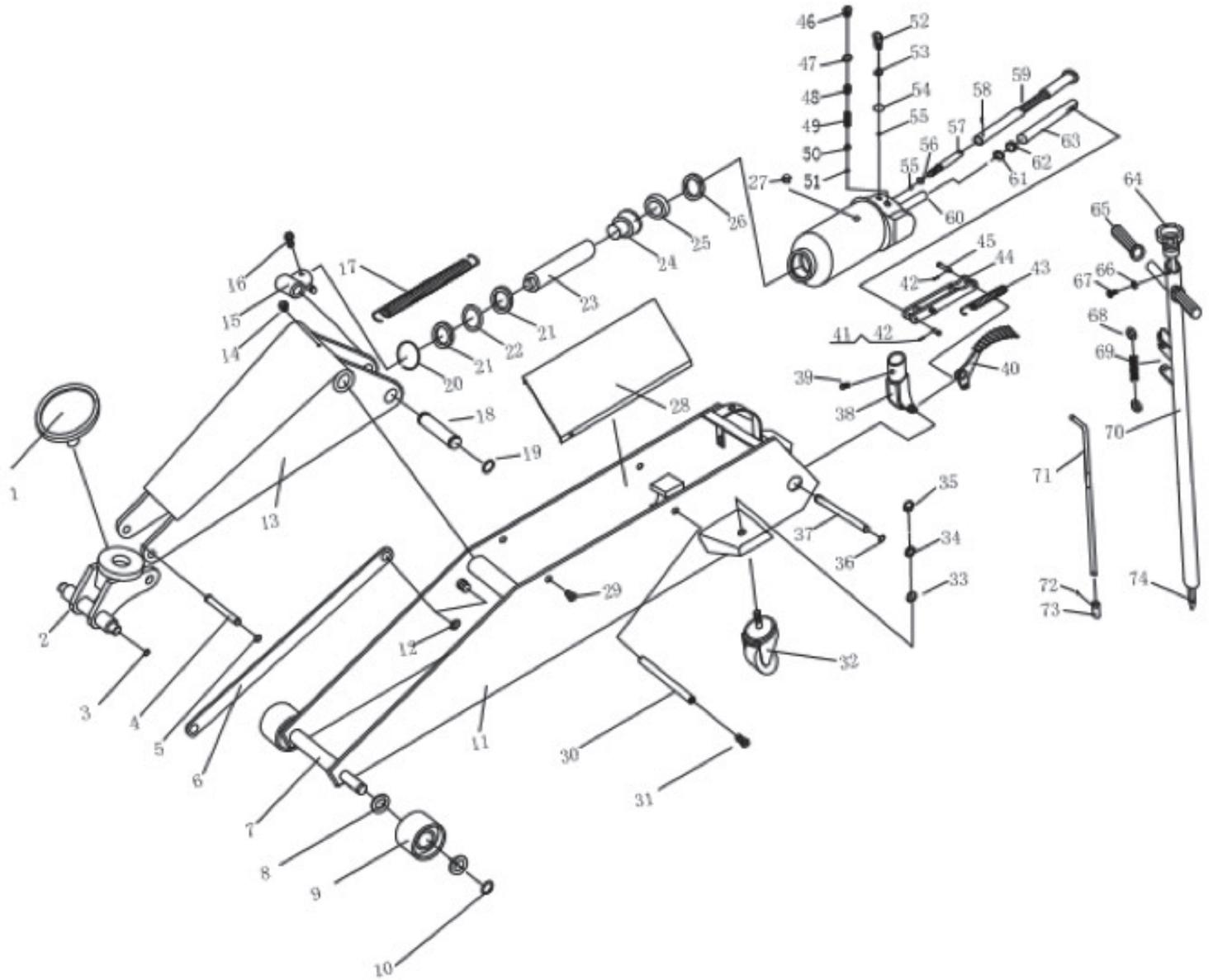




# 10 TONNE TROLLEY JACK

03494 - TJ10LR SPARE PARTS DRAWING





# 10 TONNE TROLLEY JACK

## 03494 - TJ10LR SPARE PARTS LISTING

KEY No.	PART No.	STOCK No.	DESCRIPTION
1	YTJ10LR-1	52991	Saddle
2	YTJ10LR-2	52994	Bracket
3	YTJ10LR-3	52995	Check Ring
4	YTJ10LR-4	52996	Bracket Axle Pin
5	YTJ10LR-5	53073	Check Ring
6	YTJ10LR-6	53077	Connecting Bar
7	YTJ10LR-7	53080	Front Axle
8	YTJ10LR-8	53097	Washer
9	YTJ10LR-9	53101	Front Wheel
10	YTJ10LR-10	53109	Spring Collar
11	YTJ10LR-11	53110	Chassis
12	YTJ10LR-12	53115	Check Ring
13	YTJ10LR-13	53121	Lift Arm
14	YTJ10LR-14	53123	Oil Cup
15	YTJ10LR-15	53125	Connector Sleeve
16	YTJ10LR-16	53127	Screw
17	YTJ10LR-17	53128	Spring
18	YTJ10LR-18	53129	Axle Pin
19	YTJ10LR-19	53131	Check Ring
20	YTJ10LR-20	53132	Check Ring
21	YTJ10LR-21	53133	Spacer Sleeve
22	YTJ10LR-22	53134	O-Ring
23	YTJ10LR-23	53135	Piston Rod
24	YTJ10LR-24	53136	Piston Top
25	YTJ10LR-25	53137	Nylon Insert Ring
26	YTJ10LR-26	53138	O-Ring
27	YTJ10LR-27	53139	Oil Cap
28	YTJ10LR-28	53140	Top Plate
29	YTJ10LR-29	53141	Screw
30	YTJ10LR-30	53143	Axle Pin
31	YTJ10LR-31	53144	M10x25 Bolt
32	YTJ10LR-32	53145	Castor
33	YTJ10LR-33	53146	Washer
34	YTJ10LR-34	53149	Lock Washer
35	YTJ10LR-35	53151	M12 Nut
36	YTJ10LR-36	53152	Check Ring
37	YTJ10LR-37	53153	Axle Pin
38	YTJ10LR-38	53154	Piston Crank

KEY No.	PART No.	STOCK No.	DESCRIPTION
39	YTJ10LR-39	53155	Screw
40	YTJ10LR-40	53157	Foot Pedal
41	YTJ10LR-41	53158	Pin
42	YTJ10LR-42	53159	R-Pin
43	YTJ10LR-43	53160	Spring
44	YTJ10LR-44	53161	Connecting Bar
45	YTJ10LR-45	53227	Pin
46	YTJ10LR-46	53228	Screw
47	YTJ10LR-47	53229	O-Ring
48	YTJ10LR-48	53231	Screw
49	YTJ10LR-49	53235	Pressure Spring
50	YTJ10LR-50	53236	Ball Cup
51	YTJ10LR-51	53237	Ball 3.5mm
52	YTJ10LR-52	53238	High Pressure Screw
53	YTJ10LR-53	53240	Metal Pad
54	YTJ10LR-54	53242	Ball 9mm
55	YTJ10LR-55	53243	Ball 6mm
56	YTJ10LR-56	53244	Oil Seal
57	YTJ10LR-57	53246	Unloading Valve
58	YTJ10LR-58	53248	Pin
59	YTJ10LR-59	53249	Axle Spring
60	YTJ10LR-60	53251	Cylinder Pump
61	YTJ10LR-61	53252	Collar
62	YTJ10LR-62	53256	PTFE Ring
63	YTJ10LR-63	53527	Mandrel
64	YTJ10LR-64	53806	Release Screw
65	YTJ10LR-65	53857	Hand Grip
66	YTJ10LR-66	53862	Washer
67	YTJ10LR-67	53884	Screw
68	YTJ10LR-68	53916	Check Ring
69	YTJ10LR-69	53932	Spring
70	YTJ10LR70	54038	Handle
71	YTJ10LR-71	54039	Lock Handle
72	YTJ10LR-72	54040	Pin
73	YTJ10LR-73	54041	Fix Shaft
74	YTJ10LR-74	54042	Mandrel
75	YTJ10LR-75	54043	Complete Pump Assy (Part 20-27 & 46-63)

Helpline: +44 (0) 23 8049 4344 Sales Desk: +44 (0) 23 8049 4333 General Enquiries: +44 (0) 23 8026 6355 internet: drapertools.com email: sales@drapertools.com