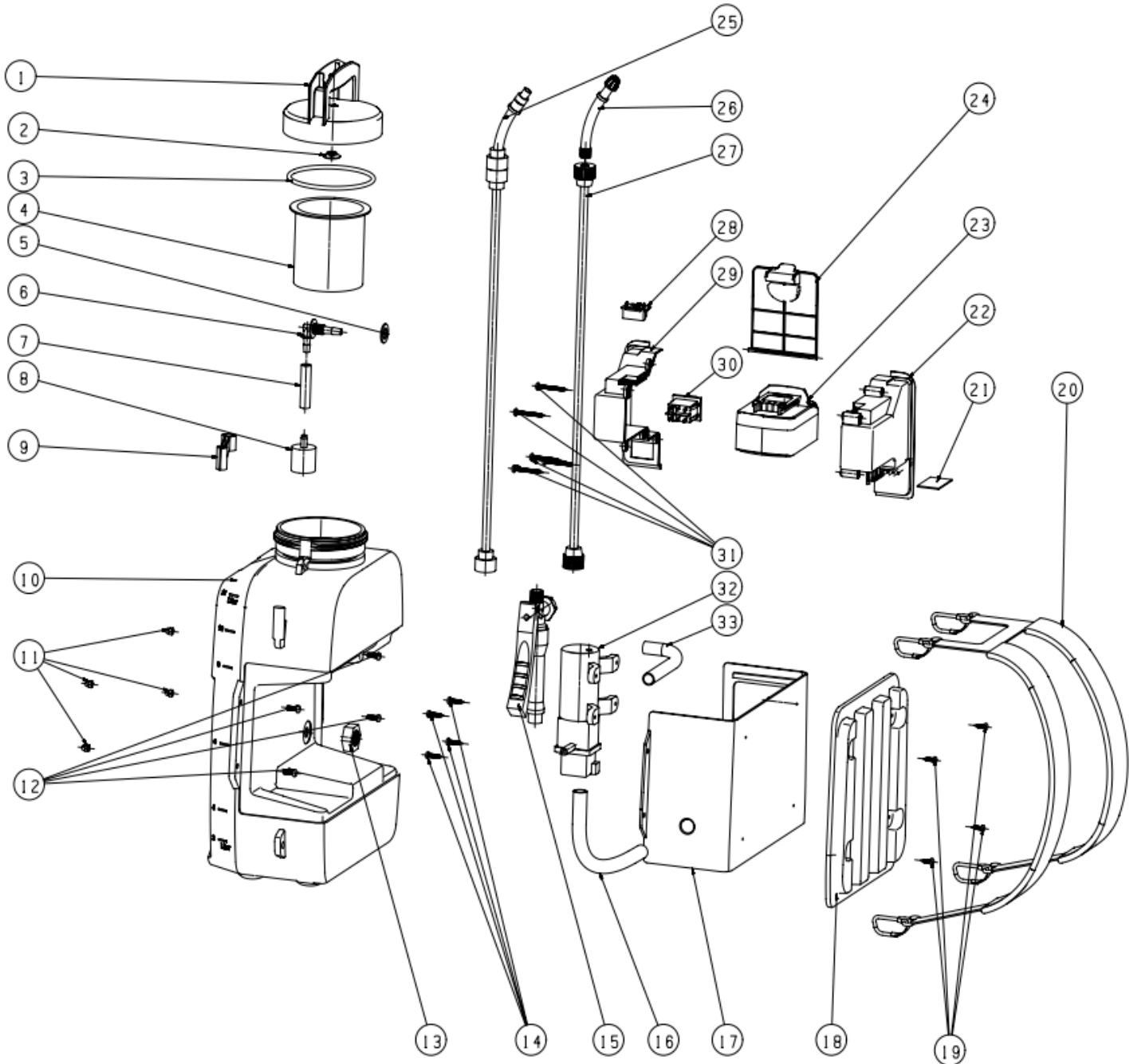


DRAPER[®]

20V 12L

BACKPACK SPRAYER

08096





20V 12L

BACKPACK SPRAYER

08096

KEY No.	PART No.	STOCK No.	DESCRIPTION
1			
2	YD20G/BS13L-A1	21049	Tank Cap assembly
3			
4			
5			
6	YD20G/BS13L-A4	21051	Filter assembly
7			
8			
9			
10			(NP) Sprayer tank
11			(NP) Stainless cap nut M5
12			(NP) Stainless screw ST5x14
13	YD20G/BS13L-13	21059	Hex nut copper
14			(NP) Cross self tapping screw ST5x14
15	YD20G/BS13L-15	21060	Control switch
17			(NP) Whole cover

KEY No.	PART No.	STOCK No.	DESCRIPTION
18			
19	YD20G/BS13L-A20	21061	Replacement straps assembly
20			
21	YD20G/BS13L-21	21064	PCB Circuit board
23			(NP) Battery
22			
24			
28	YD20G/BS13L-A22	21066	Battery casing and Switch assembly
29			
30			
25	YD20G/BS13L-25	21067	Stainless retractable pipe-curved
26			
27	YD20G/BS13L-A27	21069	Plastic wand and nozzle assembly
31			(NP) Cross self tapping screw
32			
16	YD20G/BS13L-A32	21070	Pump assembly
33			