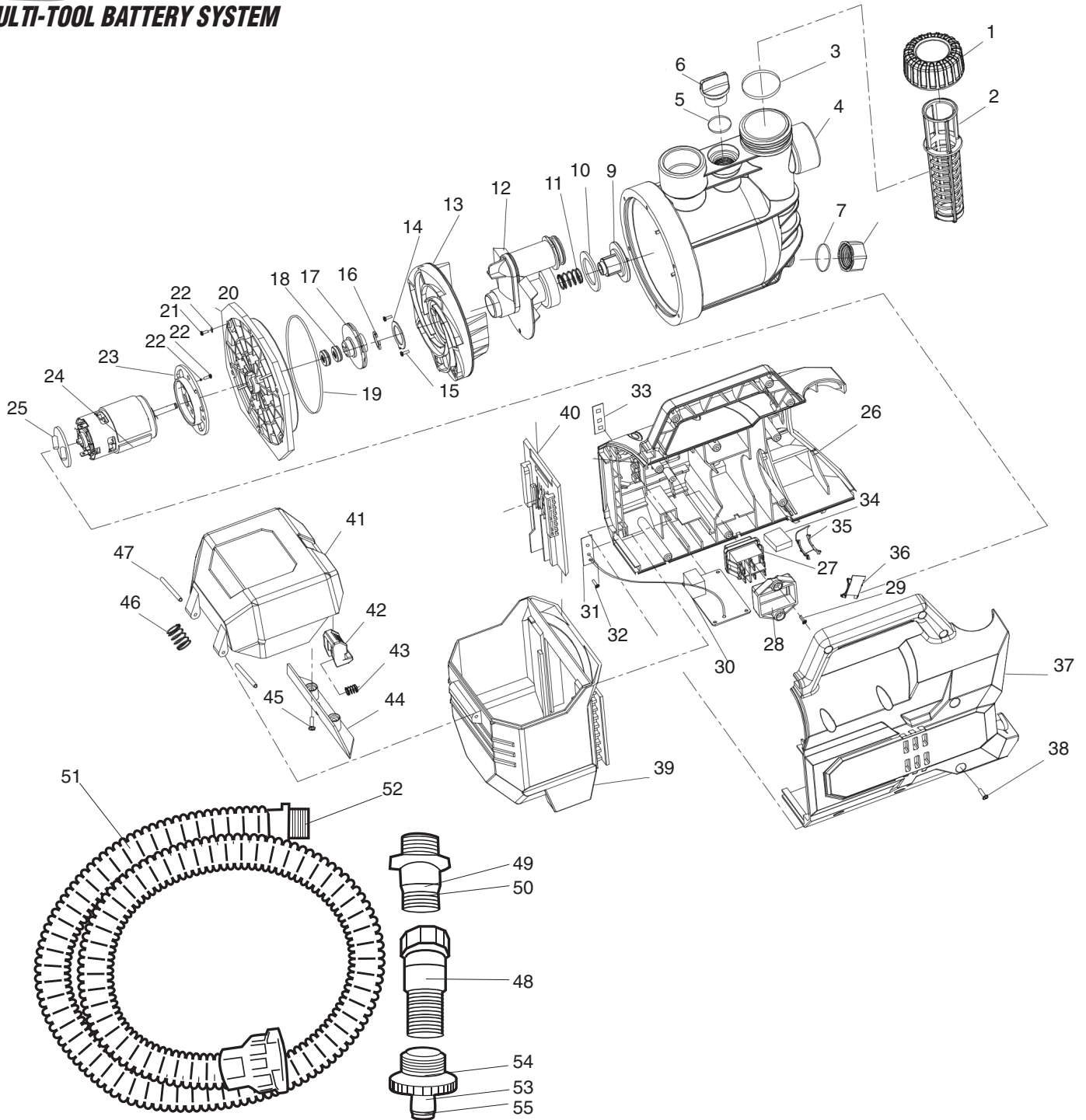


20V WATER PUMP

08097 – D20G/WP SPARE PARTS DRAWING

D20
MULTI-TOOL BATTERY SYSTEM





20V

WATER PUMP

08097 – D20G/WP SPARE PARTS LISTING

KEY No.	PART No.	STOCK No.	DESCRIPTION
1	D20G/WP-A1	23825	Transporent cover assembly
3			
2	D20G/WP-2	23826	Filter
4			(NP)Pump head
5	DG20/WP-A6	23827	Bleed plug assembly
6			
7	DG20/WP-A8	23829	Drain plug assembly
8			
9			(NP)Plug
10			(NP)Seal gasket
11			(NP)Spring
12			(NP)Diffusor plate
13			(NP)Diffusor plate
14			(NP)Gasket
15			(NP)Custom tapping screws
16			(NP)Shaft retaining ring
17			(NP)Impeller
18			(NP)Skeleton oil seal
19			(NP)O-ring
20			(NP)Front cover
21			(NP)Screw component
22			(NP)Spring washer
23			(NP)Motor protection rack
24			(NP)Motor
25			(NP)PBC board
26			(NP)Left protective guard
27			
28	DP20/WG-A27	23834	Switch Assembly
29			
30	DG20/WG-A30	23835	PCB Boards
31			

KEY No.	PART No.	STOCK No.	DESCRIPTION
32			(NP)Screw
33			(NP)Sticker
34			(NP)Filter
35			(NP)Air deflector
36			(NP)Baffle plate
37			(NP)Right protective guard
38			(NP)Customization tapping screw
39			(NP)Battery box body
40			(NP)Battery pack plug board
41	DG20/WG-A41	23836	Battery housing cover assembly
42			
43			
44			
45			
46	DG20/WG-A49	23837	Hose and connections assembly
47			
49			
50			
51			
52			
53			
54			
55			
48			