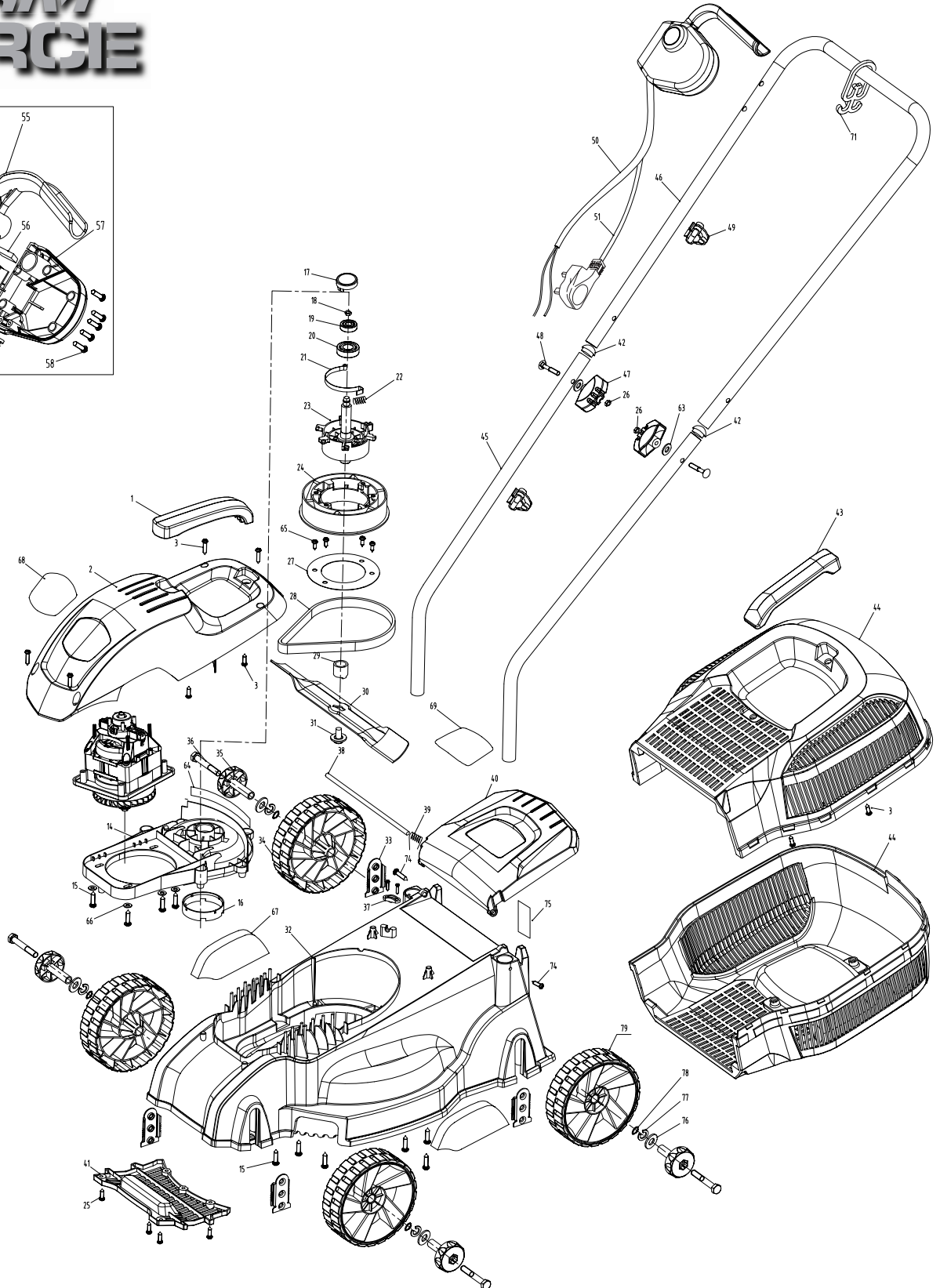
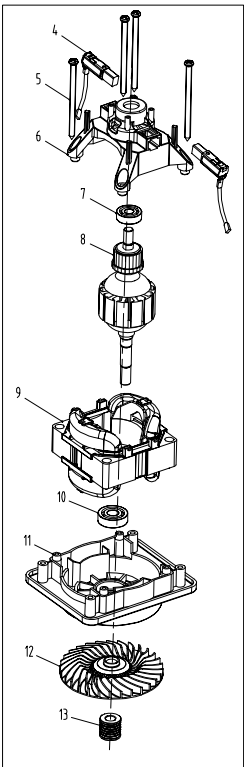
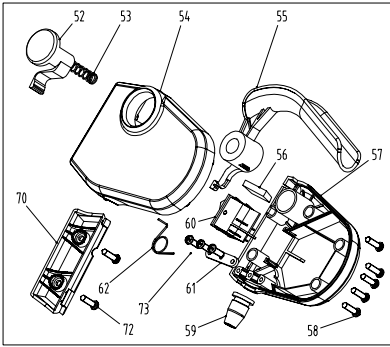


STORM FORCE





230V LAWN MOWER

20015 – GLM1200/320 SPARE PARTS LISTING



KEY No.	PART No.	STOCK No.	DESCRIPTION
1			(NP) Carrying handle
2			(NP) Top Cover
3			(NP) Cross head Tapping screw
4	YGLM1200/320-4	36013	Brush Assembly (Pair)
5			(NP) Cross head Tapping screw
6			(NP) Motor end cap
7	YGLM1200/320-8	36576	Armature Assembly
8			
9	YGLM1200/320-9	36578	Stator Assembly
10			
11			(NP) Motor front cap
12	YGLM1200/320-12	36913	Fan Assembly
13			
14			(NP) Motor holder
15			(NP) Cross head Tapping screw
16			(NP) brake hoop
17			(NP) bearing cover
18			(NP) nut
19			(NP) Deep groove ball bearing
20			(NP) Deep groove ball bearing
21			(NP) Brake steel belt
22			(NP) Brake spring
23			(NP) Brake core
24			(NP) big belt wheel
25			(NP) Cross head Tapping screw
27			(NP) Belt wheel cover
28	YGLM1200/320-28	36914	Belt
29			
30	YGLM1200/320-30	37178	Blade Assembly
31			
32			(NP) Base
38			
39	YGLM1200/320-40	37179	Grass Box Flap Assembly
40			
41			(NP) Weight adding box cover
26			
42			
63	YGLM1200/320-47	38001	Handle Fixing Assembly (pair)
47			
48			

KEY No.	PART No.	STOCK No.	DESCRIPTION
3			
43	YGLM1200/320-44	38135	Grass Box
44			
45			(NP) Lower push handle
46			(NP) Upper push handle
49			(NP) Cable clip
50			(NP) Cable
51			(NP) Plug
52			
53			
54			
55			
56			
57			
58	YGLM1200/320-60	38354	Switch Assembly
59			
60			
61			
62			
70			
72			
73			
64			(NP) label
65			(NP) Cross head Tapping screw
66			(NP) Washer
67			(NP) sponge
71			(NP) cable hook
74			(NP) Tapping screw
75			(NP) nameplate
33			
34			
35			
36			
37	YGLM1200/320-34	38370	Wheel Assembly (Pair)
76			
77			
78			
79			
68			(NP) logo label
69			(NP) warning label