



SPARE PARTS LISTING SHEET FOR

# 175,000BTU (51kW) Diesel Space Heater

Stock No.32284

Part No.DSH1750

KEY No.	PART No.	STOCK No.	DESCRIPTION
1	YTK8-005-001	33846	Fuel tank
3	YTK8-003-003	33720	Fuel gauge
3-1	YTK8-003-003-1	33742	Fuel gauge packing
4	YTK8-003-004	33747	Fuel filter
4-1	YTK8-000-004-1	33376	Fuel filter packing
5	YTK8-000-005	33377	Fuel cap
5-1	YTK8-000-005-1	33378	Fuel cap packing
6	YTK8-002-006	33379	Power cord
7	YTK8-000-007	33380	Power switch
8	YTK8-000-008	33663	Window display
9	YTK8-000-009	33664	Thermostat control knob
10	YTK8-005-010-1	33848	Bottom cover
11	YTK8-005-11	33849	Air line
12	YTK8-002-012	33383	Thermostat control
12-1	YTK8-002-012-1	33384	Thermostat bracket
13	YTK8-005-013	33854	Combusting chamber
14	YTK8-000-014	33386	Photocell bracket
15	YTK8-003-015	33758	Fuel line
16	YTK8-000-016	33388	Photocell
17	YTK8-005-017	33851	Burner head
18	YTK8-005-018	33852	Nozzle
19	YTK8-000-019	33391	Nozzle washer
20	YTK8-000-020	33392	Nozzle spring
21	YTK8-000-021	33393	Nozzle sleeve
22	YTK8-002-022	33394	Burner
22-2	YTK8-002-022-2	33396	Large nipple
22-3	YTK16-003-022-3	20722	Nozzle rod
23	YTK8-000-023	33397	Spark plug
24	YTK8-005-024	33862	Motor & pump
25-2	YTK16-003-025-2	20743	Motor base square
25-3	YTK16-003-025-3	20738	Motor square
26	YTK8-000-026	33401	Pump body
27	YTK8-000-027	33402	Rotor
27-1	YTK8-000-027-1	33403	Insert
28	YTK8-000-028	33404	Blade
29	YTK8-000-029	33405	Pump end cover
30	YTK8-000-030	33406	Intake filter

KEY No.	PART No.	STOCK No.	DESCRIPTION
31	YTK8-000-031	33407	Lint filter
32	YTK8-000-032	33408	Output filter
33	YTK8-000-033	33409	Filter cover
34	YTK8-000-034	33410	Adjuster
35	YTK8-000-035	33411	Ball
36	YTK8-000-036	33412	Spring
37	YTK8-000-037	33413	Adjusting screw
38	YTK8-000-038	33414	Elbow nipple
39-1	YTK16-003-039-1	20744	Capacitor
40	YTK16-003-040	20748	Fan
41	YTK12-000-041	33417	Ignitor
42	YTK8-005-042	33866	Right side cover
43	YTK8-005-043	33868	Left side cover
44	YTK8-003-044	33786	Fan guard
45	TK12-002-045	33875	P.C.B.
45-1	YTK8-002-045-1	33428	P.C.B. bracket
45-2	YTK8-002-045-2	33669	Themistor
46	YTK8-000-046	33430	Fuse
47	YTK8-000-047	33431	Clip nut
48	YTK8-005-048-1	33876	Top cover
50	YTK8-000-050	33433	Grommet small
50-1	YTK8-000-050-1	33435	Grommet large
53	YTK8-002-053	33439	Bush
56	YTK8-005-056	33878	Front handle
57	YTK8-005-057	33881	Rear handle
59	YTK8-005-059	33883	Wheel axle
59	YTK8-003-059	33820	Wheel axle
59-1	YTK8-003-059-1	33822	Washer
59-2	YTK8-003-059-2	33823	Pin
60	YTK8-000-060	33825	Wheel
63	YTK8-005-063	33884	Adjustable pipe support
64	YTK8-000-064	33885	Pipe support bracket
65	YTK8-000-065	33889	Wheel support bracket
66	YTK8-000-066	33890	Shaft bracket

Helpline: (023) 8049 4344. Sales Desk: (023) 8049 4333. General Enquiries: (023) 8026 6355.

DRAPER TOOLS LTD, HURSLEY ROAD, CHANDLER'S FORD, EASTLEIGH, HANTS. SO53 1YF. U.K website: drapertools.com e-mail: sales@drapertools.com

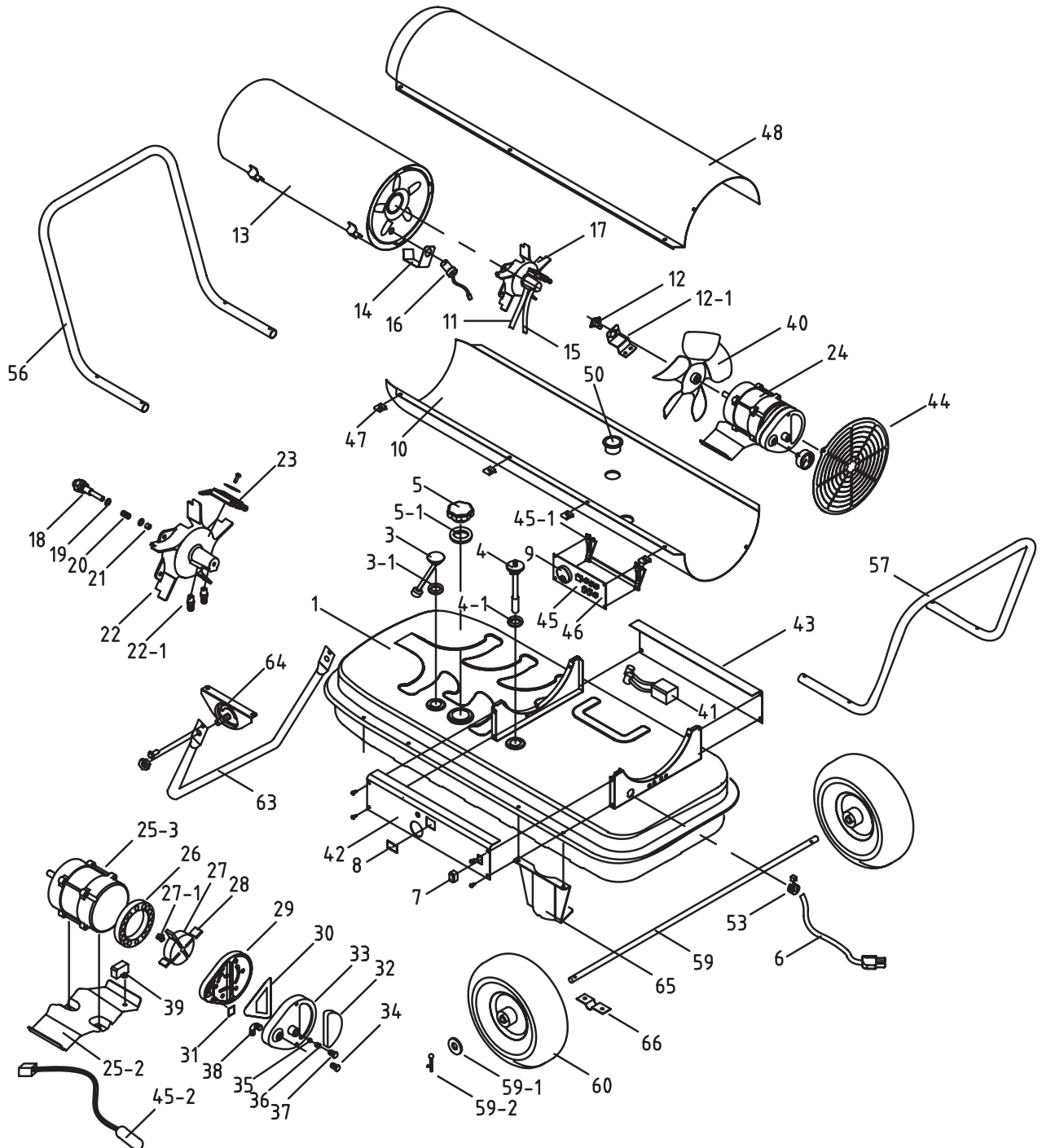


SPARE PARTS DRAWING SHEET FOR

# 175,000BTU (51kW) Diesel Space Heater

Stock No.32284

Part No.DSH1750



Helpline: (023) 8049 4344. Sales Desk: (023) 8049 4333. General Enquiries: (023) 8026 6355.

DRAPER TOOLS LTD, HURSLEY ROAD, CHANDLER'S FORD, EASTLEIGH, HANTS. SO53 1YF. U.K website: drapertools.com e-mail: sales@drapertools.com