

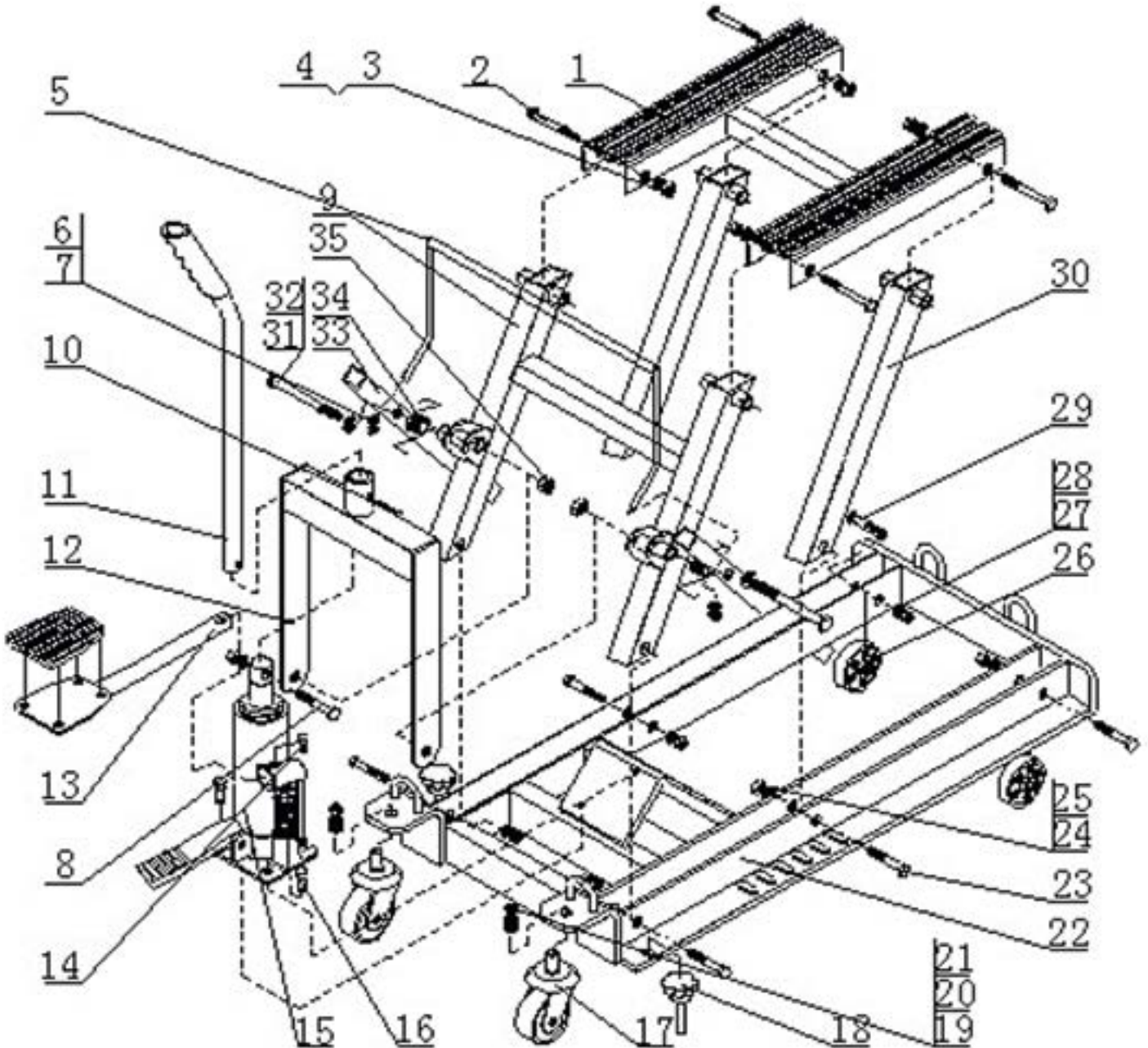
**DRAPER**<sup>®</sup>

HYDRAULIC

# MOTORCYCLE AND ATV LIFT

GB

37777 – MC/ATV2B SPARE PARTS DRAWING





HYDRAULIC

# MOTORCYCLE AND ATV LIFT



37777 – MC/ATV2B SPARE PARTS LISTING

| KEY No. | PART No.    | STOCK No. | DESCRIPTION                   |
|---------|-------------|-----------|-------------------------------|
| 1       | YMC/ATV2B-1 | 20179     | Platform Saddle & Fixing Kit  |
| 2       |             |           |                               |
| 3       |             |           |                               |
| 4       |             |           |                               |
| 5       | YMC/ATV2B-2 |           | (N/P) Safety Bar & Fixing Kit |
| 6       |             |           |                               |
| 7       |             |           |                               |
| 8       |             |           |                               |
| 9       | YMC/ATV2B-3 |           | (N/P) Lifting Arm Set         |
| 30      |             |           |                               |
| 10      | YMC/ATV2B-4 | 20202     | Handle Fixing Kit             |
| 11      |             |           |                               |
| 12      | YMC/ATV2B-5 |           | (N/P) Handle Main Frame       |
| 13      | YMC/ATV2B-6 | 20246     | Foot pedal & Fixing Kit       |
| 14      |             |           |                               |
| 15      | YMC/ATV2B-7 | 20247     | Hydraulic Ram & Bolt          |
| 16      |             |           |                               |
| 17      | YMC/ATV2B-8 | 20248     | Rear Castor Assembly          |
| 19      |             |           |                               |
| 20      |             |           |                               |
| 21      |             |           |                               |

| KEY No. | PART No.     | STOCK No. | DESCRIPTION                  |
|---------|--------------|-----------|------------------------------|
| 18      | YMC/ATV2B-9  |           | (N/P) Adjustable Foot        |
| 23      | YMC/ATV2B-10 |           | (N/P) Base Fixing Kit        |
| 24      |              |           |                              |
| 25      |              |           |                              |
| 26      | YMC/ATV2B-11 | 20258     | Front Castor Assembly        |
| 27      |              |           |                              |
| 28      |              |           |                              |
| 29      |              |           |                              |
| 31      | YMC/ATV2B-12 |           | (N/P) Lifting Arm Fixing Kit |
| 32      |              |           |                              |
| 33      |              |           |                              |
| 34      |              |           |                              |
| 35      |              |           |                              |