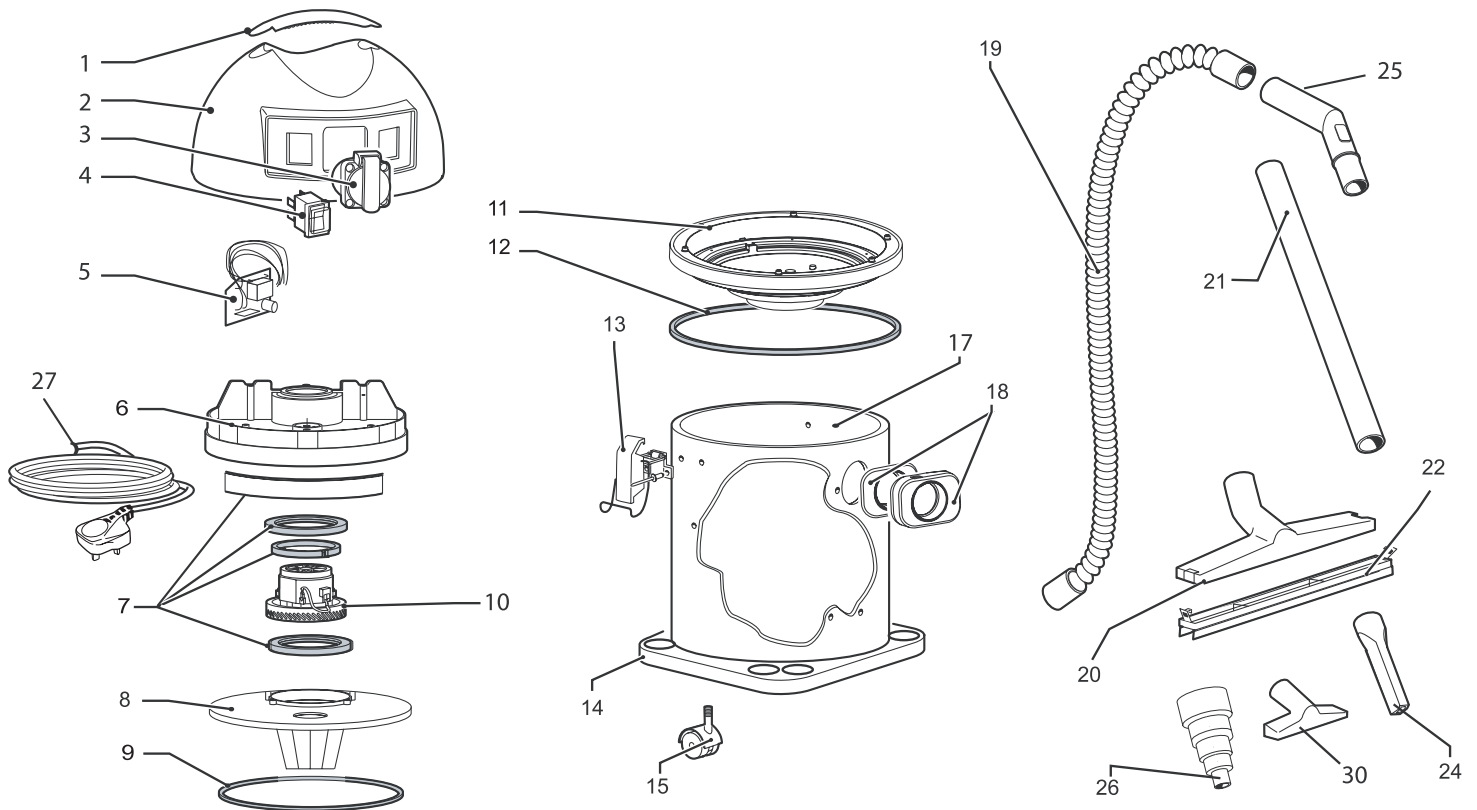




SPARE PARTS LISTING & DRAWING SHEET FOR 1400W 230V 50L Wet & Dry Vacuum Cleaner

Stock No.48499 Part No.WDV50SS



KEY No.	PART No.	STOCK No.	DESCRIPTION
1	Y4.208.0038	48809	Handle.
2	Y4.208.0409	48810	Upper housing.
3	Y3.099.1478	48811	Socket.
4	Y5.009.0213	48795	Switch.
5	Y3.403.0026	48812	Circuit board.
6	Y4.208.0386	48813	Centre housing.
7	Y6.205.0073	48814	Seal kit.
8	Y5.211.0041	48815	Cap.
9	Y3.299.0006	48816	Lower gasket.
10	Y3.755.X071	48800	Motor.
11	Y4.208.0410	48817	Adaptor.
12	Y4.215.0019	48818	Gasket.
13	Y3.099.0454	30817	Lockers.

KEY No.	PART No.	STOCK No.	DESCRIPTION
14	Y4.208.0408	48820	Base housing.
15	Y3.754.0017	48821	Wheel.
17	Y3.751.X023	48822	Drum.
18	Y6.205.0071	48823	Nozzle adaptor + gasket kit.
19	AVC35	48545	Hose (5M).
20	AVC38	48548	Floor head.
21	AVC37	48547	Extension tube.
22	AVC42	48552	Floor liquid insert.
24	AVC40	48550	Crevice nozzle.
25	Y3.753.0003	03147	Handle.
26	AVC53	48824	Adaptor.
27	Y4.012.0230	48825	Plug and cable.
30	AVC41	48551	Upholstery nozzle.

Helpline: (023) 8049 4344. Sales Desk: (023) 8049 4333. General Enquiries: (023) 8026 6355.

DRAPER TOOLS LTD, HURSLEY ROAD, CHANDLER'S FORD, EASTLEIGH, HANTS. SO53 1YF. U.K. internet: www.draper.co.uk e-mail: sales@drapertools.com