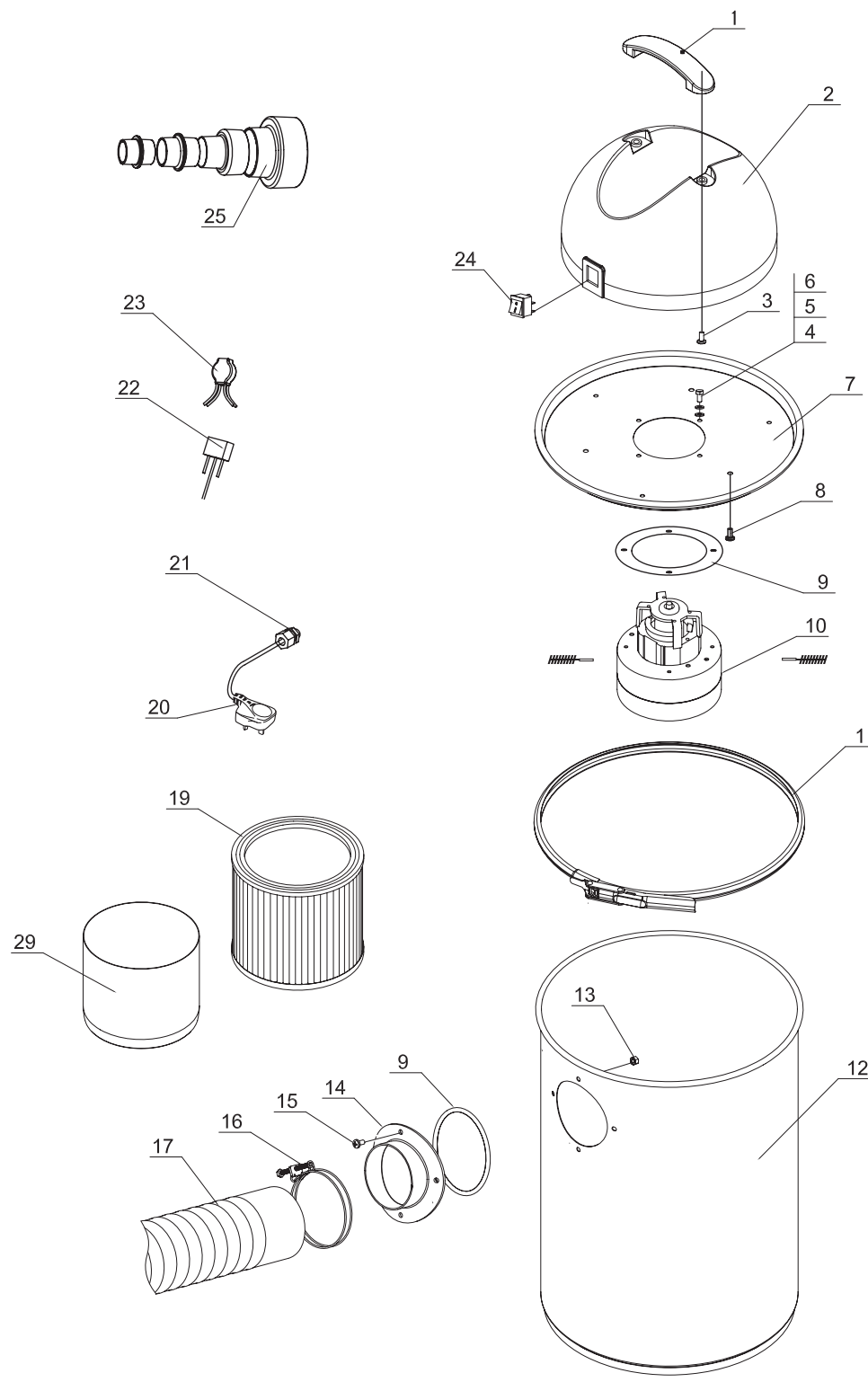


**DRAPER**

**230V 50L  
DUST EXTRACTOR**

54253 - DE1050B SPARE PARTS DRAWING

GB



Help line: +44 (0) 23 8049 4344 Sales Desk: +44 (0) 23 8049 4333 General Enquiries: +44 (0) 23 8026 6355 internet: drapertools.com email: sales@drapertools.com  
 Draper Tools Limited, Hursley Road, Chandler's Ford, Eastleigh, Hampshire. SO531YF. UK. 0324

**DRAPER**

**230V 50L  
DUST EXTRACTOR**

54253 - DE1050B SPARE PARTS LISTING

GB

| KEY No. | PART No.    | STOCK No. | DESCRIPTION      | KEY No. | PART No.    | STOCK No. | DESCRIPTION                |
|---------|-------------|-----------|------------------|---------|-------------|-----------|----------------------------|
| 1       |             |           | Handle           | 14      |             |           | Suction hose inlet         |
| 2       |             |           | Plastic cover    | 15      | YDE1050B-15 | 24691     | Cross screw(4)             |
| 3       |             |           | Screw(2)         | 16      | YDE1050B-16 | 24688     | Suction hose clamp(2)      |
| 4       |             |           | Cross screw(4)   | 17      | YDE1050B-17 | 24687     | Suction hose               |
| 5       |             |           | Spring washer(4) | 19      | ADE1050B-19 | 04407     | Filter assy                |
| 6       |             |           | Washer(4)        | 20      |             |           | Cable & plug               |
| 7       |             |           | Upper cover      | 21      |             |           | Relief strain              |
| 8       |             |           | Screw(6)         | 22      |             |           | Capacitance                |
| 9       |             |           | Seal ring(2)     | 23      |             |           | Inductance                 |
| 10      |             |           | Motor            | 24      |             |           | Switch                     |
| 11      | YDE1050B-11 | 24422     | Clamping ring    | 25      | ADE1050B-25 | 16837     | Powertool adaptor assembly |
| 12      |             |           | Tank             | 26      | ADE1050B-26 | 17085     | Filter bag                 |
| 13      | YDE1050B-13 | 24686     | Hex nut M5(4)    |         |             |           |                            |

\*If there is no stock number shown for the part you require, please contact Draper Help line.

Help line: +44 (0) 23 8049 4344 Sales Desk: +44 (0) 23 8049 4333 General Enquiries: +44 (0) 23 8026 6355 internet: drapertools.com email: sales@drapertools.com

Draper Tools Limited, Hursley Road, Chandler's Ford, Eastleigh, Hampshire. SO531YF. UK.

0324