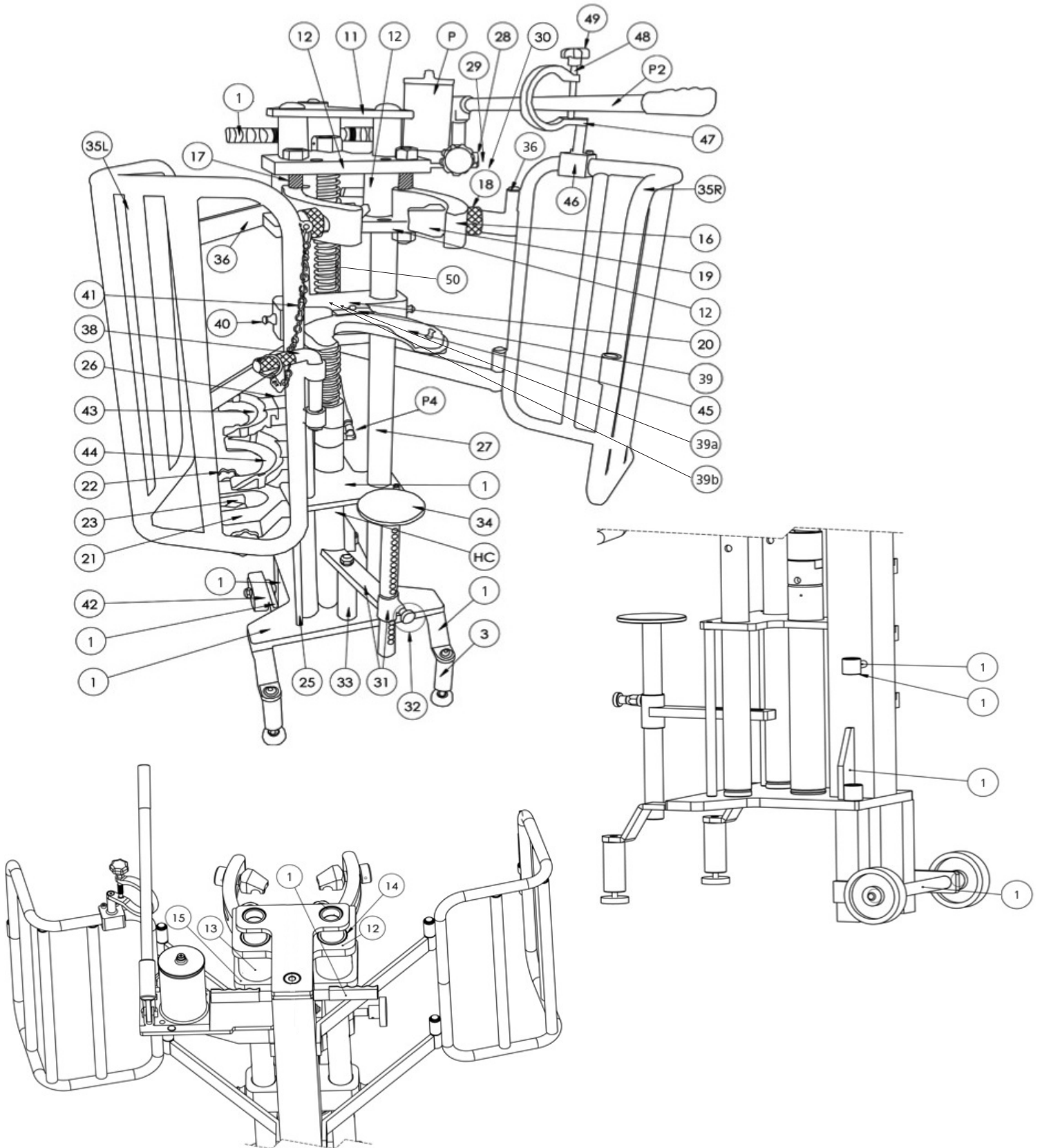


# HYDRAULIC SPRING COMPRESSOR

56191 - SC100 SPARE PARTS DRAWING





# HYDRAULIC SPRING COMPRESSOR

## 56191 - SC100 SPARE PARTS LISTING

KEY No.	PART No.	STOCK No.	DESCRIPTION
1	YSC100-01	89587	Bottom base
3	YSC100-03	89590	Stand
11	YSC100-11	89710	Supporting upper base
12	YSC100-12	89724	Fixing base kit
14	YSC100-14	89757	Copper sleeve
16	YSC100-16	89774	Adjustable jaw arm
17	YSC100-17	89780	Screw
18	YSC100-18	89787	Fixing jaw nut
19	YSC100-19	89799	Fixing jaw
20	YSC100-20	89819	Lower fixing base
21	YSC100-21	89838	Lower fixing jaw assembly
22	YSC100-22	89842	Jaw fixing cap
23	YSC100-23	89888	Gear-type fixing jaw
25	YSC100-25	89892	Supporting shaft
26	YSC100-26	89893	Fixing bracket rest block
27	YSC100-27	89894	Slide shaft
28	YSC100-28	89895	Pump fixing base
31	YSC100-31	00981	Fixing pin base
32	YSC100-32	00982	Fixing pin
33	YSC100-33	00983	Fixing base
34	YSC100-34	00984	Lower supporting base
35R	YSC100-35R	00985	Safety guard

KEY No.	PART No.	STOCK No.	DESCRIPTION
35L	YSC100-35L	00986	Safety guard
36	YSC100-36	00987	Safety guard support arm
38	YSC100-38	00990	Safety guard locking pin
39	YSC100-39	02055	Fixing bracket extension block
39a	YSC100-39a	00991	Hexagon socket screws
39b	YSC100-39b	00992	Washer
40	YSC100-40	00993	Lower fixing base locking pin
41	YSC100-41	00994	Chain
42	YSC100-42	00995	Wheel
43	YSC100-43	00996	Yoke 75 - 110mm
44	YSC100-44	00997	Yoke 110 - 140mm
45	YSC100-45	00998	Yoke 140 - 190mm
46	YSC100-46	00999	Safety device base
47	YSC100-47	01000	Safety device C ring
48	YSC100-48	01001	Screw
49	YSC100-49	01002	Wheel
50	YSC100-50	03099	Spring
P	YSC100-P	01003	Stand-type pump
P2	YSC100-P2	01004	Handle bar
P4	YSC100-P4	01005	Hydraulic pump line
HC	YSC100-HC	01006	Hydraulic cylinder